










zuiver°




TOMORROW'S DESIGN FOR TODAY'S INTERIOR
COLLECTION 2018 | 2.0

OUR TABLE OF CONTENTS

CHECK OUT THE CATEGORIES

CHAIRS	PAGE 2	
TABLES	PAGE 36	
SEATERS	PAGE 66	
CABINETS	PAGE 86	
CARPETS	PAGE 102	
LIGHTING	PAGE 122	
HOME DECO	PAGE 196	
DISPLAYS	PAGE 236	

LETTER OF THE EDITOR

Welcome to all that's new and cherished at Zuiver!

In this updated Zuiver catalogue we'll bring you up to speed on what we've been working on the last couple of months.

As you will see, we've been quite busy! Here you see Richard and myself working on designing the collection. Together we form the heart of the Zuiver design team, responsible for the new Zuiver designs. Our aim is to design trendy interior products that make anyone feel at ease and totally in sync with their surroundings. A nice example is our new vase Reina which came into existence on our drawing boards. A trendy combination of a vase and a light object, because we love multi-functionality. (Fun fact: Reina was named after my mother, who is responsible for the weekly flower arrangements at our HQ). Admire her on page 214.

But we are not alone in the Zuiver design team, we like to work with young talent and often invite a next generation designer to make a new Zuiver with us. We take pride in coaching them and they help us to stay tuned with the latest materials and techniques.

A successful example of such cooperation is with the youngsters from APE with whom we made the popular Albert Kuip chair. For spring and summer 2018 we teamed up again and worked on an outdoor version of this bestseller: The Albert Kuip Garden. We are proud of Albert, he will be the first outdoor chair in our collection! Admire the fabulous outcome on page 4. These are just a few examples of many new additions which we mixed in with our cherished Zuiver evergreens. Go ahead and make your own mix of new and cherished!

Ohh.. by the way do not forget to tag us with #zuiver when you're dreaming about Zuiver.







CHAIRS





CHAIRS

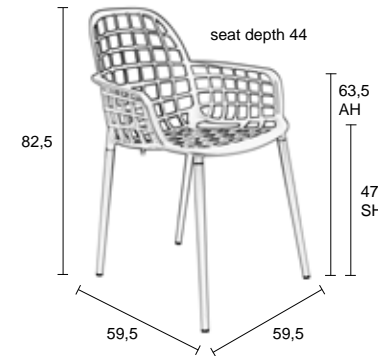


ALBERT KUIP GARDEN ARMCHAIR NEW

Design: APE

When summer finally arrived, we soon found we missed our interiors. Especially our comfy and stylish Albert Kuip armchairs! So, a decision was made and when autumn came we designed our Albert Kuip garden version. Look at the fantastic result! This metal Albert Kuip, which we designed with our friends from Dutch design studio APE, is heavy and sturdy enough to withstand typical Dutch summers. It's also light enough to be picked up and moved around the garden, so you can keep catching that sunlight!

- Powder coated aluminium frame
- Black plastic foot caps
- Stackable up to 4 pcs
- For indoor & outdoor use
- Maximum weight load: 140 kg



ZUIVER-CODE	GTIN-CODE	ITEM NAME		
1200169	8718548040052	ARMCHAIR ALBERT KUIP GARDEN WHITE		
1200170	8718548040069	ARMCHAIR ALBERT KUIP GARDEN BLACK		
1200171	8718548040076	ARMCHAIR ALBERT KUIP GARDEN LIGHT GREY		
1200172	8718548040083	ARMCHAIR ALBERT KUIP GARDEN GREEN		
PACKING	2 PCS/CTN	ORDER QTY: 2 PCS		
QTY	CTN SIZE (CM)	CBM	NW (KG)	GW (KG)
2	68x63x91	0,390	11,2 (2x5,6)	13,2



ALBERT KUIP CHAIR

Design: APE

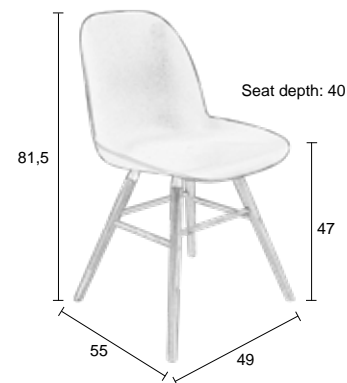


Albert Kuip chair is a special one, we knew it from the very first moment. We designed this baby together with Dutch design studio APE. But Zuiver Albert Kuip is not just eye candy, it's also most comfortable! Chair Albert Kuip is a moulded chair, available in, yes, three heights and as dining chair with and without armrests. We thought that besides natural colours like grey and white, you would also appreciate the seat in trendy powdery colours like taupe, green and old pink.

Did we already mention the flawless sturdy transition from seat to legs? Oh yeah, Albert Kuip is sturdy and steady! The elegant legs are made of solid ash wood. Very classy if you ask us!

Working and relaxing, that's what Albert Kuip is made for. In whatever height you want to do so!

ZUIVER-CODE	GTIN-CODE	ITEM NAME		
1100292	8718548030992	CHAIR ALBERT KUIP WHITE		
1100293	8718548031005	CHAIR ALBERT KUIP DARK GREY		
1100294	8718548031012	CHAIR ALBERT KUIP LIGHT GREY		
1100295	8718548031029	CHAIR ALBERT KUIP OLD PINK		
1100296	8718548031036	CHAIR ALBERT KUIP TAUPE		
1100298	8718548032897	CHAIR ALBERT KUIP GREEN		
PACKING	2 PCS/CTN	ORDER QTY: 2 PCS		
QTY	CTN SIZE (CM)	CBM	NW (KG)	GW (KG)
2	51x49x60	0,15	8,08 (2x 4,04)	10,08





ALBERT KUIP ARMCHAIR

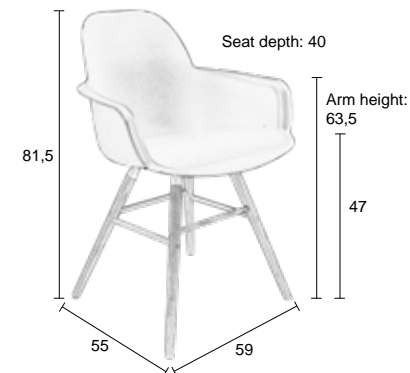
Design: APE

Whether you want to rest your tired arms or not, we have the perfect Albert Kuip chair for you. This chair comes with and without armrests! Imagine how good they combine...

Registered design
 100% polypropylene shell
 Solid ash wood legs
 Aluminium frame
 Maximum weight load: 140 kg



ZUIVER-CODE	GTIN-CODE	ITEM NAME		
1200131	8718548031043	ARMCHAIR ALBERT KUIP WHITE		
1200132	8718548031050	ARMCHAIR ALBERT KUIP DARK GREY		
1200133	8718548031067	ARMCHAIR ALBERT KUIP LIGHT GREY		
1200134	8718548031074	ARMCHAIR ALBERT KUIP OLD PINK		
1200135	8718548031081	ARMCHAIR ALBERT KUIP TAUPE		
1200136	8718548032903	ARMCHAIR ALBERT KUIP GREEN		
PACKING	2 PCS/CTN	ORDER QTY: 2 PCS		
QTY	CTN SIZE (CM)	CBM	NW (KG)	GW (KG)
2	62x56x61	0,21	8,12 (2x4,06)	10,12





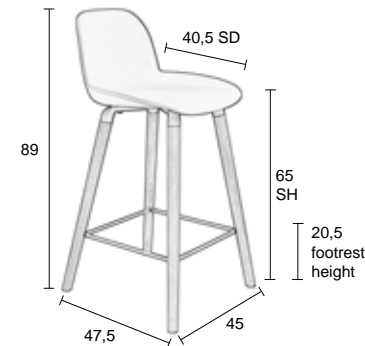
ALBERT KUIP COUNTER STOOL

Design: APE

Complete the look in your kitchen and embellish your counter seating arrangement with Albert Kuip counter chair, to match your Albert Kuip dining chairs!

Registered design
 100% polypropylene shell
 Solid ash wood legs
 Aluminium frame & footrest
 Maximum weight load: 140 kg

ZUIVER-CODE	GTIN-CODE	ITEM NAME		
1500051	8718548036185	COUNTER STOOL ALBERT KUIP WHITE		
1500052	8718548036192	COUNTER STOOL ALBERT KUIP DARK GREY		
1500053	8718548036208	COUNTER STOOL ALBERT KUIP LIGHT GREY		
1500054	8718548036215	COUNTER STOOL ALBERT KUIP OLD PINK		
1500055	8718548036222	COUNTER STOOL ALBERT KUIP TAUPE		
1500056	8718548036239	COUNTER STOOL ALBERT KUIP GREEN		
PACKING	2 PCS/CTN	ORDER QTY: 2 PCS		
QTY	CTN SIZE (CM)	CBM	NW (KG)	GW (KG)
2	51,5x51,5x74	0,197	9,2 (2x4,6)	12,8



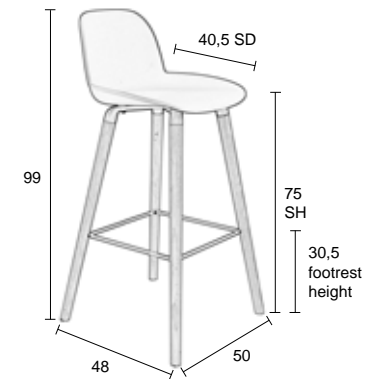


ALBERT KUIP BARSTOOL

Design: APE

As comfy as a chair but just with a much higher seat.
This Albert Kuip bar chair also comes in no less than six colors! Yes, you've read that right 1,2,3,4,5,6 colors.

Registered design
100% polypropylene shell
Solid ash wood legs
Aluminium frame & footrest
Maximum weight load: 140 kg



ZUIVER-CODE	GTIN-CODE	ITEM NAME			
1500057	8718548036246	BARSTOOL ALBERT KUIP WHITE			
1500058	8718548036253	BARSTOOL ALBERT KUIP DARK GREY			
1500059	8718548036260	BARSTOOL ALBERT KUIP LIGHT GREY			
1500060	8718548036277	BARSTOOL ALBERT KUIP OLD PINK			
1500061	8718548036284	BARSTOOL ALBERT KUIP TAUPE			
1500062	8718548036291	BARSTOOL ALBERT KUIP GREEN			
PACKING	2 PCS/CTN	ORDER QTY: 2 PCS			
QTY	CTN SIZE (CM)	CBM	NW (KG)	GW (KG)	
2	56x55x82	0,25	9,8 (2x4,9)	14,6	



BRENT CHAIR

We challenge you to take a seat in chair Brent for a marathon session. Try attending a sit-in for world peace. Or waiting to see those pigs fly. What we mean to say is: No matter how long you stay put in Brent you'll still be fresh when you stand up! Which we do recommend. If only to take another look at its wonderful design with that 'build-in' cushion, soft fabric and black steel metal frame with tapered legs to which we added a dowel base. Simply for extra interest and firmness.

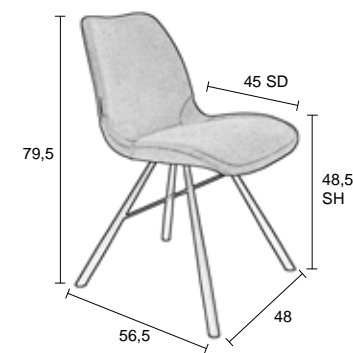
Upholstered plywood shell

Fabric: 90% polyester, 10% nylon, 40.000 Martindale, colour fastness 4-5

PU-foam filling, foam density 35-45

Black powder coated steel legs, plastic feet

Maximum weight load: 100 kg



ZUIVER-CODE	GTIN-CODE	ITEM NAME			
1100299	8718548035041	CHAIR BRENT SAND			
1100301	8718548035065	CHAIR BRENT DEEP SEA			
1100319	8718548036680	CHAIR BRENT MUSTARD			
PACKING	2 PCS/CTN	ORDER QTY: 2 PCS			
QTY	CTN SIZE (CM)	CBM	NW (KG)	GW (KG)	
2	64x53x87	0,295	13,7 (2x6,85)	16,7	



MIA ARMCHAIR

Some people like a pet to greet them when they come home. At Zuiver we created an alternative for those cute pets: Chair Mia! Have you ever seen a more welcoming chair? Notice how our Mia beckons you to come sit in her embrace. 'Welcome home, please sit down, feel free to pet my velvety, soft skin and simply unwind...'
This chair says it all and she does so in four colours!
And the very best feature? Mia doesn't need daily walks and doesn't shed!

Velvet-look upholstery on plywood shell
Fabric: 100% polyester, 30.000 Martindale, colour fastness 5
PU-foam filling, foam density: 35-40
Black powder coated steel frame, plastic feet
Maximum weight load: 100 kg

ZUIVER-CODE	GTIN-CODE	ITEM NAME			
1200148	8718548036758	ARMCHAIR MIA GREEN			
1200149	8718548036772	ARMCHAIR MIA ORANGE			
1200150	8718548036796	ARMCHAIR MIA GREY			
1200151	8718548036819	ARMCHAIR MIA BLUE			
PACKING	2 PCS/CTN	ORDER QTY: 2 PCS			
QTY	CTN SIZE (CM)	CBM	NW (KG)	GW (KG)	
2	70x64x58	0,26	15 (2x7,5)	18,1	



green



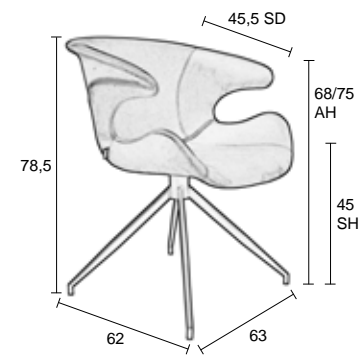
orange



grey



blue





BRIT ARMCHAIR

Opposites attract. They never fail to do so. Our armchair Brit proves this natural law once again. Just look at the fine contrast between that elegant seat with its glamorous velvet upholstery and those industrial, tapered black steel legs. Aaah... Gotta love it! Oh, and please feel free to combine those different colours. They were made to match, you see.

Velvet-look upholstery on plywood shell
 Fabric: 100% polyester, 15.000 Martindale, colour fastness 3-5
 PU-foam filling, foam density: 35-40
 Black powder coated steel legs
 Maximum weight load: 100 kg

ZUIVER-CODE	GTIN-CODE	ITEM NAME		
1200142	8718548034259	ARMCHAIR BRIT DARK GREY		
1200143	8718548034273	ARMCHAIR BRIT PINK		
1200144	8718548034297	ARMCHAIR BRIT PETROL		
PACKING	2 PCS/CTN	ORDER QTY: 2 PCS		
QTY	CTN SIZE (CM)	CBM	NW (KG)	GW (KG)
2	67x61x56	0,229	19 (2x9,5)	22





FESTON ARMCHAIR

We decided to make chair Feston multi deployable. The aim was to enable you to use a Feston all over the house. And we succeeded. Of course. Looking for a bar chair? We've got you covered. What's that? You mean a counter chair? Look no further. This baby comes in no less than three heights, a grey fabric version and two fabulous PU-leather colors. And, as if that isn't enough, look at that baseball-inspired decorative stitching. And that elegant black steel frame that runs up at the sides of the seat. On top of all that we can reveal that Feston's bucket seat is so soft and broad it is über comfortable!

Chair Feston is perfect for your dining table. This posh looking chair is up to the task because the PU-leather is just as pretty as the real stuff only so much easier to clean and maintain in pristine condition!

Upholstery with decorative stitching details
 In grey fabric, vintage brown or black PU-leather
 PU-leather: > 38.000 Martindale, colour fastness 4- 5
 Fabric: 100% polyester, 50.000 Martindale, colour fastness 4-5
 Plywood shell with PU foam, density 35-40
 Black powder coated steel frame, plastic feet
 Maximum weight load: 100 kg

ZUIVER-CODE	GTIN-CODE	ITEM NAME		
1200146	8718548036062	ARMCHAIR FESTON BLACK		
1200147	8718548036079	ARMCHAIR FESTON BROWN		
1200157	8718548037281	ARMCHAIR FESTON FAB GREY		
PACKING	2 PCS/CTN	ORDER QTY: 2 PCS		
QTY	CTN SIZE (CM)	CBM	NW (KG)	GW (KG)
2	64x64x81	0,332	21 (2x10,5)	23





FESTON COUNTER STOOL

How cool is it to match your counter stools, at the kitchen island with the dining table chairs?
If you're in to variation mix the Feston colors.
Don't worry about the matching. That comes included!

Upholstery with decorative stitching details
In grey fabric, vintage brown or black PU-leather
PU-leather: > 38.000 Martindale, colour fastness 4- 5
Fabric: 100% polyester, 50.000 Martindale, colour fastness 4-5
Plywood shell with PU foam, density 35-40
Black powder coated steel frame with footrest, plastic feet
Maximum weight load: 100 kg



ZUIVER-CODE	GTIN-CODE	ITEM NAME		
1500047	8718548036086	COUNTER STOOL FESTON BLACK		
1500048	8718548036093	COUNTER STOOL FESTON BROWN		
1500063	8718548037298	COUNTER STOOL FESTON FAB GREY		
PACKING	2 PCS/CTN	ORDER QTY: 2 PCS		
QTY	CTN SIZE (CM)	CBM	NW (KG)	GW (KG)
2	56x57x94	0,338	18,6 (2x9,3)	22,3



FESTON BARSTOOL

Not many people realize there is a difference between a bar chair and a bar stool. The stool version has a soft padding, if you're lucky. But a backrest, let alone an armrest is nowhere to be found. Whereas a bar chair, like our Feston here, is as comfy as a chair but blessed with the longest legs!

Upholstery with decorative stitching details

In grey fabric, vintage brown or black PU-leather

PU-leather: > 38.000 Martindale, colour fastness 4- 5

Fabric: 100% polyester, 50.000 Martindale, colour fastness 4-5

Plywood shell with PU foam, density 35-40

Black powder coated steel frame with footrest,

plastic feet

Maximum weight load: 100 kg



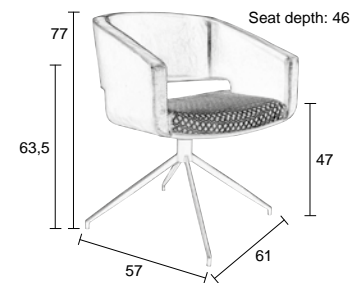
ZUIVER-CODE	GTIN-CODE	ITEM NAME			
1500049	8718548036109	BARSTOOL FESTON BLACK			
1500050	8718548036116	BARSTOOL FESTON BROWN			
1500064	8718548037304	BARSTOOL FESTON FAB GREY			
PACKING	2 PCS/CTN	ORDER QTY: 2 PCS			
QTY	CTN SIZE (CM)	CBM	NW (KG)	GW (KG)	
2	105x57x56	0,335	24 (2x12)	26	



BEAU ARMCHAIR

The perfect chair for a dining room table of an industrial loft or any other dining room table for that matter. However armchair Beau, with its swivel foot, is ultra versatile and therefore easily at home in your office, a conference room or even in your lounge area. Beau's upholstery is a combination of high quality PU-leather and a patterned fabric for the cushion. See, versatility has no boundaries at Zuiver.

Vintage PU-leather upholstery,
 > 38.000 Martindale, colour fastness 4- 5
 100% polyester seat cushion
 Plywood shell with PU-foam, density 38
 Black powder coated steel swivel base
 Maximum weight load: 120 kg



ZUIVER-CODE	GTIN-CODE	ITEM NAME		
1200124	8718548024915	ARMCHAIR BEAU BLACK		
1200128	8718548029217	ARMCHAIR BEAU BROWN		
PACKING	2 PCS/CTN	ORDER QTY: 2 PCS		
QTY	CTN SIZE (CM)	CBM	NW (KG)	GW (KG)
2	73x68x88	0,437	29 (2x14,5)	33



CHAIRS



OMG VELVET CHAIR NEW

OMG! We have yet another OMG chair for you! Upholstered in lush velvet, giving this version a most feminine and chic look. Like always, our new OMG stands for ultimate comfort and is available in a whopping number of colours. OMG!

Padded upholstery in 100% polyester velvet
 30.000 Martindale, colour fastness 4-5
 Plywood shell with high density foam
 Black powder coated steel frame with plastic foot caps
 Maximum weight load: 120 kg

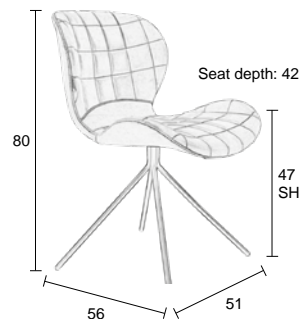


Note: Zuiver recommends to order different foot caps for use on wooden or other delicate floors



ZUIVER-CODE	GTIN-CODE	ITEM NAME		
1100364	8718548040380	CHAIR OMG VELVET OLD PINK		
1100365	8718548040397	CHAIR OMG VELVET GREY		
1100366	8718548040403	CHAIR OMG VELVET PETROL		
1100367	8718548040410	CHAIR OMG VELVET ORANGE		
PACKING	2 PCS/CTN	ORDER QTY: 2 PCS		
QTY	CTN SIZE (CM)	CBM	NW (KG)	GW (KG)
2	55x57x52	0,163	11 (2x5,5)	14

ZUIVER-CODE	GTIN-CODE	ITEM NAME		
9100033	8718548034952	FOOTPLUG OMG SET OF 4		
PACKING	20 SETS/CTN	ORDER QTY: 20 SETS OF 4		
QTY	CTN SIZE (CM)	CBM	NW (KG)	GW (KG)
20	18x18x13	0,004	0,32	0,5





OMG LL CHAIR

OMG! Look at this new OMG!
 It's upholstered with a material called leather look.
 Our high quality PU-leather, to be specific. PU-leather stands for less-trouble-and-just-as-much-style-as-leather. As you know we have named this chair OMG for that is the most frequently used expression of comfort when one sits in it. Of course our new OMG LL chair has maintained the same comfort as the original and comes in a whopping five colours. OMG!

Padded upholstery in vintage PU-leather
 > 38.000 Martindale, colour fastness 4- 5
 Plywood shell with high density foam
 Black powder coated steel frame
 Maximum weight load: 120 kg

ZUIVER-CODE	GTIN-CODE	ITEM NAME		
1100250	8718548024038	CHAIR OMG LL PETROL		
1100251	8718548024052	CHAIR OMG LL YELLOW		
1100252	8718548024076	CHAIR OMG LL GREY		
1100253	8718548024090	CHAIR OMG LL BROWN		
1100257	8718548024113	CHAIR OMG LL BLACK		
PACKING	2 PCS/CTN	ORDER QTY: 2 PCS		
QTY	CTN SIZE (CM)	CBM	NW (KG)	GW (KG)
2	55x57x52	0,163	13 (2x6,5)	16
ZUIVER-CODE	GTIN-CODE	ITEM NAME		
9100033	8718548034952	FOOTPLUG OMG SET OF 4		
PACKING	20 SETS/CTN	ORDER QTY: 20 SETS OF 4		
QTY	CTN SIZE (CM)	CBM	NW (KG)	GW (KG)
20	18x18x13	0,004	0,32	0,5



petrol



yellow



grey



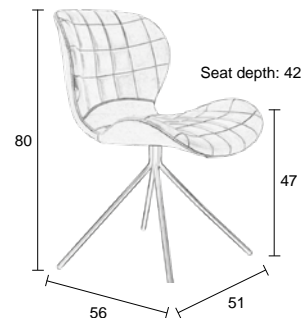
RETARDANT

brown



black

Note: Zuiver recommends to order different foot caps for use on wooden or other delicate floors



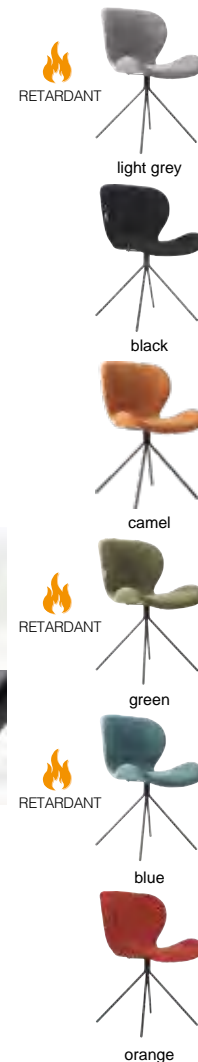


OMG CHAIR

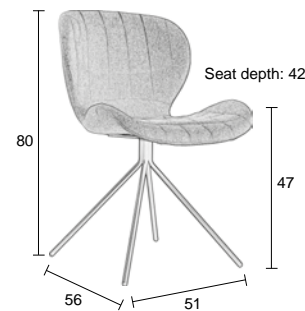
Yes, we did it. We named this chair OMG. Does this abbreviation stand for what it usually stands for? We recommend you try it. Sit down in this very, very comfy chair and decide for yourself. O, and OMG comes in no less than six different colours. OMG!

Padded upholstery in 100% polyester
 >50.000 Martindale, colour fastness 4,5-5
 Plywood shell with high density foam
 Black powder coated steel frame
 Maximum weight load: 120 kg

ZUIVER-CODE	GTIN-CODE	ITEM NAME		
1100169	8718548017337	CHAIR OMG LIGHT GREY		
1100170	8718548017344	CHAIR OMG BLACK		
1100171	8718548017351	CHAIR OMG CAMEL		
1100172	8718548017368	CHAIR OMG GREEN		
1100173	8718548017375	CHAIR OMG BLUE		
1100174	8718548017382	CHAIR OMG ORANGE		
PACKING	2 PCS/CTN	ORDER QTY: 2 PCS		
QTY	CTN SIZE (CM)	CBM	NW (KG)	GW (KG)
2	55x57x52	0,163	13 (2x6,5)	16
ZUIVER-CODE	GTIN-CODE	ITEM NAME		
9100033	8718548034952	FOOTPLUG OMG SET OF 4		
PACKING	20 SETS/CTN	ORDER QTY: 20 SETS OF 4		
QTY	CTN SIZE (CM)	CBM	NW (KG)	GW (KG)
20	18x18x13	0,004	0,32	0,5



Note: Zuiver recommends to order different foot caps for use on wooden or other delicate floors

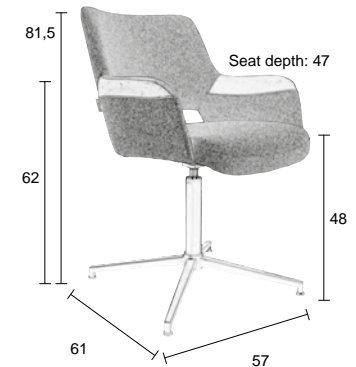




SYL ARMCHAIR

What defines an armchair? Or an office chair? Or even a conference chair, and what about a dining room chair? We combined the characteristics of all these chairs in armchair Syl. The result is this very hybrid armchair, with its swivel base and comfortable seat. A chair that can be used anywhere you want. Syl comes with PU-leather accents on the armrests. So rest those arms as much as you like! It will never hurt your Syl.

100% polyester upholstery
 Armrests covered with vintage PU-leather,
 > 38.000 Martindale, colour fastness 4- 5
 Plywood shell with PU-foam, density 35
 Black powder coated steel swivel star base
 Maximum weight load: 120 kg



ZUIVER-CODE	GTIN-CODE	ITEM NAME		
1200122	8718548024892	ARMCHAIR SYL BROWN		
1200123	8718548024908	ARMCHAIR SYL BLACK		
PACKING	1 PCS/CTN			
QTY	CTN SIZE (CM)	CBM	NW (KG)	GW (KG)
1	63x60x48	0,181	10	13



NIKKI ARMCHAIR

Yes, chair Nikki is inspired by mid-century modern classics, but she has a strong present-day character of her own! If you're looking for a chair that oozes class, your search stops here! That might take the fun out of your decision-making. Since we always aim to please, that is where we will compensate you. Because there are no less than four different Nikki chairs to choose from! Yes, 1, 2, 3, FOUR! Good luck with that...

Combined upholstery:

Vintage PU-leather seat

> 38.000 Martindale, colour fastness 4- 5

100% polyester back in light grey

Plywood shell with PU-foam, density 30-35

Black powder coated steel base

Maximum weight load: 100 kg

Vintage PU-leather upholstery:

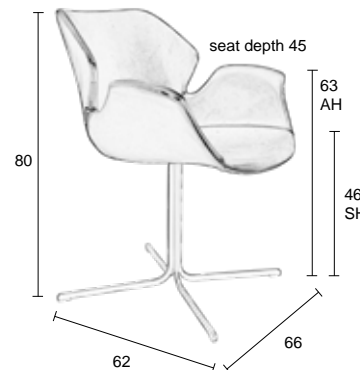
> 38.000 Martindale, colour fastness 4- 5

Plywood shell with PU-foam, density 30-35

Black powder coated steel base

Maximum weight load: 100 kg

ZUIVER-CODE	GTIN-CODE	ITEM NAME		
1200137	8718548032972	ARMCHAIR NIKKI FAB BROWN		
1200138	8718548032989	ARMCHAIR NIKKI FAB BLACK		
1200139	8718548032996	ARMCHAIR NIKKI ALL BLACK		
1200140	8718548033054	ARMCHAIR NIKKI ALL BROWN		
PACKING	2 PCS/CTN	ORDER QTY: 2 PCS		
QTY	CTN SIZE (CM)	CBM	NW (KG)	GW (KG)
2	73x67x62	0,303	18,8 (2x9,4)	22



fab brown



fab black



all black



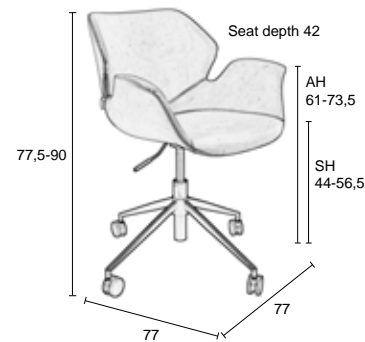
all brown



NIKKI OFFICE CHAIR NEW

Sure, you can use our dining chair Nikki as an office chair. But you'll be far more comfortable working on office chair Nikki! Yes, that's right! We converted our popular Nikki into an office chair version. With her own practical wheels and swivel base. For a real executive look we chose all-black and all-brown PU-leather upholstery.

Office swivel chair, adjustable in height
 Vintage PU-leather upholstery,
 > 38.000 Martindale, colour fastness 4- 5
 Plywood shell with polyurethane foam, density 35
 4-star black powder coated steel base with black castors
 Maximum weight load: 100 kg



ZUIVER-CODE	GTIN-CODE	ITEM NAME		
1300004	8718548038530	OFFICE CHAIR NIKKI ALL BLACK		
1300005	8718548038547	OFFICE CHAIR NIKKI ALL BROWN		
PACKING	1 PCS/CTN			
QTY	CTN SIZE (CM)	CBM	NW (KG)	GW (KG)
1	70x66x42	0,194	9	12



OMG OFFICE CHAIR

So, our OMG chair turned out to be such a success and so comfy, a lot of people started to use it as an office chair. No problem there, of course, but we tend to listen to our customers and decided an official OMG office chair would even be better. And so we went along and made one. Office Chair OMG comes with a black frame and in three sophisticated colours: Grey and blue. OMG!

Office swivel chair, adjustable in height
 Padded upholstery in vintage PU-leather,
 > 38.000 Martindale, colour fastness 4- 5
 or 100% polyester, >50.000 Martindale,
 colour fastness 4,5-5

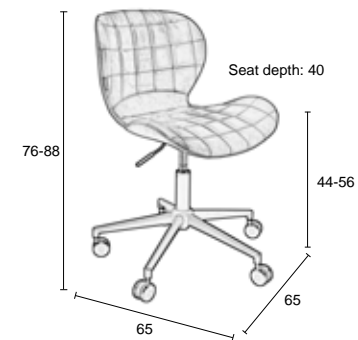
Plywood shell with polyurethane foam

Foam density seat: 27, back: 32

5-star black powder coated steel base (Ø 65 cm)
 with black castors

Maximum weight load: 120 kg

NEW



ZUIVER-CODE	GTIN-CODE	ITEM NAME		
1300001	8718548019294	OFFICE CHAIR OMG BLACK/GREY		
1300002	8718548019300	OFFICE CHAIR OMG BLACK/BLUE		
1300006	8718548038554	OFFICE CHAIR OMG LL BROWN		
PACKING	1 PCS/CTN			
QTY	CTN SIZE (CM)	CBM	NW (KG)	GW (KG)
1	62x62x52	0,199	9,8	13

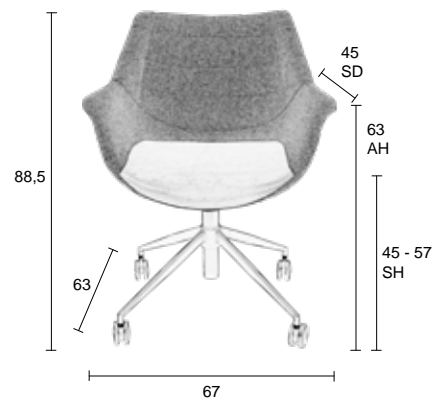


DOULTON OFFICE CHAIR

Because we like to help you choose and because we like variation, especially in our bestsellers, we created this new Doulton Vintage Brown for you, in an office version. It has castors! Now you can roll smoothly backwards from your desk. Or... from your dining table... Or conference table. O, boy, still a lot of choices! Sorry 'bout that.

Office swivel chair, adjustable in height
 Plywood shell with padded upholstery
 Fabric: 100% polyester, > 38.000 Martindale, colour fastness 4- 5
 Vintage PU-leather on seat and back, > 38.000 Martindale, colour fastness 4- 5
 Polyether foam, density: 30-35
 4- star black powder coated steel base with black castors
 Maximum weight load: 100 kg

ZUIVER-CODE	GTIN-CODE	ITEM NAME		
1300003	8718548031425	OFFICE CHAIR DOULTON VINTAGE BROWN		
PACKING	1 PCS/CTN			
QTY	CTN SIZE (CM)	CBM	NW (KG)	GW (KG)
1	69x69x40	0,19	9	12



CHAIRS



DOULTON ARMCHAIR

Our Doulton is so classy we can't decide if it is a dining chair, an office chair or a modern armchair. The thing is, Doulton can fulfill all these functions. So it is actually up to you! To make it even harder to choose, we added Doulton vintage brown to the series! Just as comfortable as its all-fabric brothers, but for this one we combined fabric and a fabulous looking PU-leather. We just leave you with an inside tip: Imagine how Doulton combines with our OMG chair...

Plywood shell with padded upholstery

Fabric: 100% polyester, >50.000 Martindale, colour fastness 4,5-5

Vintage version: brown vintage PU-leather on seat & back, > 38.000 Martindale, colour fastness 4- 5
Foam density: 30-35

Black powder coated steel frame

Maximum weight load: 100 kg

ZUIVER-CODE	GTIN-CODE	ITEM NAME		
1200112	8718548021037	ARMCHAIR DOULTON GREY		
1200113	8718548021044	ARMCHAIR DOULTON GREEN		
1200114	8718548021051	ARMCHAIR DOULTON BLUE		
1200119	8718548023611	ARMCHAIR DOULTON VINTAGE BROWN		
PACKING	2 PCS/CTN	ORDER QTY: 2 PCS		
QTY	CTN SIZE (CM)	CBM	NW (KG)	GW (KG)
2	74x69x65	0,332	16 (2x8)	20



grey



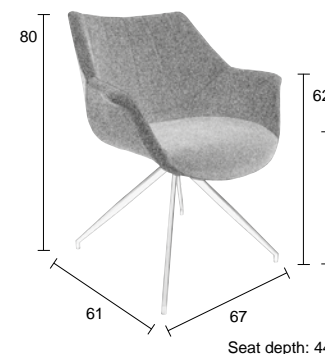
green



blue



vintage brown





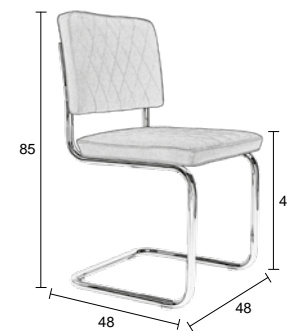
DIAMOND CHAIR

Our new brainchild, Diamond is no doubt the most posh chair of the Zuiver family. With its shiny copper plated cantilever frame and rich fabric it is so chic you don't just sit down on it, but 'compose oneself on it'. We added a diamond pattern to the stitching of the upholstery. We left it at that, because we clearly reached perfection right there!

Back and seat in diamond stitched fabric with piping
 Fabric: 100% polyester, > 25.000 Martindale
 Foam density seat 30, back 25
 Copper plated frame with glides
 The kink frame is stackable (5 pcs)
 Maximum weight load: 120 kg

🇩🇪 The regular frames are not available in Germany

ZUIVER-CODE	GTIN-CODE	ITEM NAME		
1100270	8718548025967	CHAIR DIAMOND ROYAL RED		
1100271	8718548025974	CHAIR DIAMOND MINTY GREEN		
1100272	8718548025981	CHAIR DIAMOND EMERALD GREEN		
1100273	8718548025998	CHAIR DIAMOND PEBBLE GREY		
1100274	8718548026001	CHAIR DIAMOND KINK ROYAL RED		
1100275	8718548026018	CHAIR DIAMOND KINK MINTY GREEN		
1100276	8718548026025	CHAIR DIAMOND KINK EMERALD GREEN		
1100277	8718548026032	CHAIR DIAMOND KINK PEBBLE GREY		
PACKING	2 PCS/CTN	ORDER QTY: 2 PCS		
QTY	CTN SIZE (CM)	CBM	NW (KG)	GW (KG)
2	100x50x62	0,310	12,8 (2x6,4)	14,7



royal red



minty green



emerald green



pebble grey

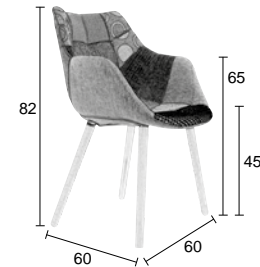




TWELVE ARMCHAIR

“9, 10, 11, Twelve. Ready or not here it comes!”
 Meet Twelve, our famous seat. Twelve has two different faces, Twelve is unique, Twelve is an eye catcher! Just pick your favorite and make yours shine in your interior. And believe us when we say Twelve can be used all over the house. This versatile seat is ready to be your dining chair, office chair or simply the chair in your bedroom corner to hold your next day outfit!

Plastic shell with padded upholstery
 Patchwork fabric: 100% polyester,
 colour fastness 4-5, Martindale > 20.000
 Foam density: 30
 Beech legs
 Maximum weight load: 140 kg



ZUIVER-CODE	GTIN-CODE	ITEM NAME		
1100266	8718548025776	ARMCHAIR TWELVE PATCHWORK		
1100267	8718548025790	ARMCHAIR TWELVE PATCHWORK GREY		
PACKING	2 PCS/CTN	ORDER QTY: 2 PCS		
QTY	CTN SIZE (CM)	CBM	NW (KG)	GW (KG)
2	64x62x51	0,2	15 (2x7,5)	17



FLEXBACK ARMCHAIR

Boing, boing, boing. Do you know that feeling chairs with flexible backs give you? We tend to test that ability for the first 5 minutes. In our Flexback chair you can test that bounce all day. Every day if you like. Because Zuivers Flexback will never lose its resilience.

Plastic shell with upholstery in grey or dark grey
 Fabric: 100% polyester, colour fastness 3-4
 Foam density: 35 D
 Solid beech legs, natural or black lacquered
 Maximum weight load: 110 kg



natural/dark grey



natural/grey

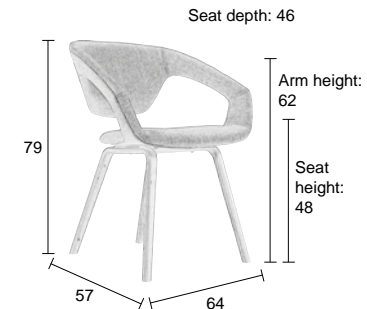


black/dark grey



black/grey

ZUIVER-CODE	GTIN-CODE	ITEM NAME		
1200096	8718548017184	ARMCHAIR FLEXBACK NATURAL/DARK GREY		
1200098	8718548017207	ARMCHAIR FLEXBACK BLACK/DARK GREY		
1200126	8718548026940	ARMCHAIR FLEXBACK NATURAL/GREY		
1200127	8718548026957	ARMCHAIR FLEXBACK BLACK/GREY		
PACKING	2 PCS/CTN	ORDER QTY: 2 PCS		
QTY	CTN SIZE (CM)	CBM	NW (KG)	GW (KG)
2	64x61x44	0,172	15,6 (2x7,8)	17,6





RIDGE SERIES

Feel free to build your own chair with our Ridge series. There are so many options, it is basically a custom built chair. Choose your fabric, your colour, armrests or not? Want it in chrome or brushed? High (the barstool), or low? Choices, choices. But what a wonderful series of chairs.

Chair Ridge has a classic nostalgic feel to it, yet, its colours and fabrics are always hip and modern. The very comfortable Ridge Rib comes in a spectacular amount of colours. If you prefer an even more nostalgic feel, then choose Ridge Vintage, with its 100% cotton fabric in three ancient colours for a real vintage experience. The Ridge is available as chair, armchair and barstool with a chromed frame. The chair is also available in brushed chrome. Do you prefer Ridge to be stackable? Then choose Ridge Kink.

Chair, armchair or barstool

Back and seat with piping

Fabrics to choose from:

- ribcord fabric with piping (88% nylon, 12% polyester, >40.000 Martindale)
- vintage look with piping (100% cotton)

Foam density seat 30, back 25

Chromed frame with glides

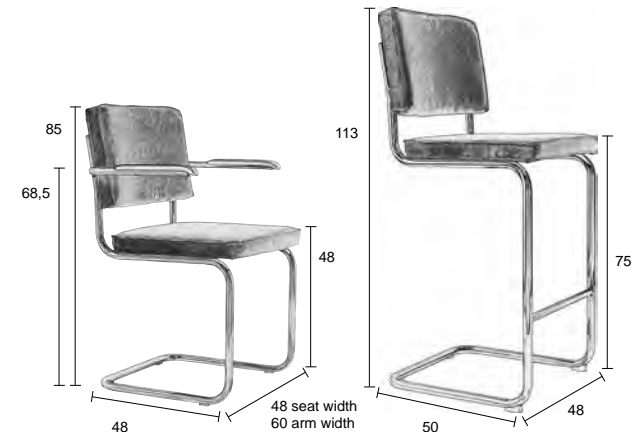
Regular chair frame in brushed chrome as well

The kink frame is stackable: 4 pcs with arm, 5 pcs without arm

Armrest in bakelite

Maximum weight load: 120 kg

🇩🇪 The regular frames are not available in Germany





PICK A FRAME



chair (brushed or chromed)



kink chair



armchair



kink armchair



barstool



kink barstool

CHOOSE YOUR FABRIC



cool grey



blue



yellow



orange



green



red



grey



black



sailor blue



mediocre grey



charcoal



chromed



brushed



RIDGE CHAIR (CHROMED)

ZUIVER-CODE	GTIN-CODE	ITEM NAME		
1006001	8718548002753	CHAIR RIDGE RIB BLACK 7A		
1006002	8718548002760	CHAIR RIDGE RIB RED 21A		
1006003	8718548002777	CHAIR RIDGE RIB ORANGE 19A		
1006005	8718548002791	CHAIR RIDGE RIB GREY 6A		
1006007	8718548002814	CHAIR RIDGE RIB BLUE 12A		
1006009	8718548002838	CHAIR RIDGE RIB GREEN 25A		
1006010	8718548002845	CHAIR RIDGE RIB YELLOW 24A		
1100076	8718548014022	CHAIR RIDGE RIB COOL GREY 32A		
1100104	8718548015135	CHAIR RIDGE VINTAGE SAILOR BLUE 11		
1100105	8718548015142	CHAIR RIDGE VINTAGE MEDIOCRE GREY 12		
1100106	8718548015159	CHAIR RIDGE VINTAGE CHARCOAL 16		
PACKING	2 PCS/CTN	ORDER QTY: 2 PCS		
QTY	CTN SIZE (CM)	CBM	NW (KG)	GW (KG)
2	100x50x62	0,310	12,8 (2x6,4)	14,7

RIDGE CHAIR (BRUSHED)

ZUIVER-CODE	GTIN-CODE	ITEM NAME		
1100078	8718548014503	CHAIR RIDGE BRUSHED RIB BLACK 7A		
1100079	8718548014510	CHAIR RIDGE BRUSHED RIB RED 21A		
1100080	8718548014527	CHAIR RIDGE BRUSHED RIB ORANGE 19A		
1100082	8718548014541	CHAIR RIDGE BRUSHED RIB GREY 6A		
1100084	8718548014565	CHAIR RIDGE BRUSHED RIB BLUE 12A		
1100086	8718548014589	CHAIR RIDGE BRUSHED RIB GREEN 25A		
1100087	8718548014596	CHAIR RIDGE BRUSHED RIB YELLOW 24A		
1100089	8718548014619	CHAIR RIDGE BRUSHED RIB COOL GREY 32A		
1100114	8718548015432	CHAIR RIDGE BRUSHED VINTAGE SAILOR BLUE 11		
1100115	8718548015449	CHAIR RIDGE BRUSHED VINTAGE MEDIOCRE GREY 12		
1100116	8718548015456	CHAIR RIDGE BRUSHED VINTAGE CHARCOAL 16		
PACKING	2 PCS/CTN	ORDER QTY: 2 PCS		
QTY	CTN SIZE (CM)	CBM	NW (KG)	GW (KG)
2	100x50x62	0,310	12,8 (2x6,4)	14,7



RIDGE KINK CHAIR

ZUIVER-CODE	GTIN-CODE	ITEM NAME		
1100055	8718548013346	CHAIR RIDGE KINK RIB BLACK 7A		
1100056	8718548013353	CHAIR RIDGE KINK RIB RED 21A		
1100057	8718548013360	CHAIR RIDGE KINK RIB ORANGE 19A		
1100059	8718548013384	CHAIR RIDGE KINK RIB GREY 6A		
1100061	8718548013407	CHAIR RIDGE KINK RIB BLUE 12A		
1100063	8718548013421	CHAIR RIDGE KINK RIB GREEN 25A		
1100064	8718548013438	CHAIR RIDGE KINK RIB YELLOW 24A		
1100077	8718548014039	CHAIR RIDGE KINK RIB COOL GREY 32A		
1100109	8718548015289	CHAIR RIDGE KINK VINTAGE SAILOR BLUE 11		
1100110	8718548015296	CHAIR RIDGE KINK VINTAGE MEDIOCRE GREY 12		
1100111	8718548015302	CHAIR RIDGE KINK VINTAGE CHARCOAL 16		
PACKING	2 PCS/CTN	ORDER QTY: 2 PCS		
QTY	CTN SIZE (CM)	CBM	NW (KG)	GW (KG)
2	100x50x62	0,310	12,8 (2x6,4)	14,7





RIDGE ARMCHAIR

ZUIVER-CODE	GTIN-CODE	ITEM NAME		
1006050	8718548002913	ARMCHAIR RIDGE RIB BLACK 7A		
1006051	8718548002920	ARMCHAIR RIDGE RIB RED 21A		
1006052	8718548002937	ARMCHAIR RIDGE RIB ORANGE 19A		
1006054	8718548002951	ARMCHAIR RIDGE RIB GREY 6A		
1006056	8718548002975	ARMCHAIR RIDGE RIB BLUE 12A		
1006058	8718548002999	ARMCHAIR RIDGE RIB GREEN 25A		
1006059	8718548003002	ARMCHAIR RIDGE RIB YELLOW 24A		
1200062	8718548014060	ARMCHAIR RIDGE RIB COOL GREY 32A		
1200068	8718548015180	ARMCHAIR RIDGE VINTAGE SAILOR BLUE 11		
1200069	8718548015197	ARMCHAIR RIDGE VINTAGE MEDIOCRE GREY 12		
1200070	8718548015203	ARMCHAIR RIDGE VINTAGE CHARCOAL 16		
PACKING	2 PCS/CTN	ORDER QTY: 2 PCS		
QTY	CTN SIZE (CM)	CBM	NW (KG)	GW (KG)
2	100x64x62	0,397	14,8 (2x7,4)	16,9

RIDGE KINK ARMCHAIR

ZUIVER-CODE	GTIN-CODE	ITEM NAME		
1200044	8718548013506	ARMCHAIR RIDGE KINK RIB BLACK 7A		
1200045	8718548013513	ARMCHAIR RIDGE KINK RIB RED 21A		
1200046	8718548013520	ARMCHAIR RIDGE KINK RIB ORANGE 19A		
1200048	8718548013544	ARMCHAIR RIDGE KINK RIB GREY 6A		
1200050	8718548013568	ARMCHAIR RIDGE KINK RIB BLUE 12A		
1200052	8718548013582	ARMCHAIR RIDGE KINK RIB GREEN 25A		
1200053	8718548013599	ARMCHAIR RIDGE KINK RIB YELLOW 24A		
1200063	8718548014077	ARMCHAIR RIDGE KINK RIB COOL GREY 32A		
1200073	8718548015333	ARMCHAIR RIDGE KINK VINTAGE SAILOR BLUE 11		
1200074	8718548015340	ARMCHAIR RIDGE KINK VINTAGE MEDIOCRE GREY 12		
1200075	8718548015357	ARMCHAIR RIDGE KINK VINTAGE CHARCOAL 16		
PACKING	2 PCS/CTN	ORDER QTY: 2 PCS		
QTY	CTN SIZE (CM)	CBM	NW (KG)	GW (KG)
2	100x64x62	0,397	14,8 (2x7,4)	16,9



RIDGE BARSTOOL

ZUIVER-CODE	GTIN-CODE	ITEM NAME		
1500201	8718548012295	BARSTOOL RIDGE RIB ORANGE 19A		
1500202	8718548012301	BARSTOOL RIDGE RIB BLACK 7A		
1500203	8718548012318	BARSTOOL RIDGE RIB RED 21A		
1500205	8718548012332	BARSTOOL RIDGE RIB GREY 6A		
1500206	8718548012349	BARSTOOL RIDGE RIB BLUE 12A		
1500208	8718548012363	BARSTOOL RIDGE RIB YELLOW 24A		
1500210	8718548012387	BARSTOOL RIDGE RIB GREEN 25A		
1500022	8718548014107	BARSTOOL RIDGE RIB COOL GREY 32A		
1500026	8718548015234	BARSTOOL RIDGE VINTAGE SAILOR BLUE 11		
1500027	8718548015241	BARSTOOL RIDGE VINTAGE MEDIOCRE GREY 12		
1500028	8718548015258	BARSTOOL RIDGE VINTAGE CHARCOAL 16		
PACKING	1 PCS/CTN			
QTY	CTN SIZE (CM)	CBM	NW (KG)	GW (KG)
1	50x53x116	0,30	ca. 7	ca. 9

RIDGE KINK BARSTOOL

ZUIVER-CODE	GTIN-CODE	ITEM NAME		
1500001	8718548013728	BARSTOOL RIDGE KINK RIB ORANGE 19A		
1500002	8718548013735	BARSTOOL RIDGE KINK RIB BLACK 7A		
1500003	8718548013742	BARSTOOL RIDGE KINK RIB RED 21A		
1500005	8718548013766	BARSTOOL RIDGE KINK RIB GREY 6A		
1500006	8718548013773	BARSTOOL RIDGE KINK RIB BLUE 12A		
1500008	8718548013797	BARSTOOL RIDGE KINK RIB YELLOW 24A		
1500010	8718548013810	BARSTOOL RIDGE KINK RIB GREEN 25A		
1500023	8718548014114	BARSTOOL RIDGE KINK RIB COOL GREY 32A		
1500031	8718548015388	BARSTOOL RIDGE KINK VINTAGE SAILOR BLUE 11		
1500032	8718548015395	BARSTOOL RIDGE KINK VINTAGE MEDIOCRE GREY 12		
1500033	8718548015401	BARSTOOL RIDGE KINK VINTAGE CHARCOAL 16		
PACKING	1 PCS/CTN			
QTY	CTN SIZE (CM)	CBM	NW (KG)	GW (KG)
1	50x53x116	0,30	ca. 7	ca. 9



LOUIX CHAIR

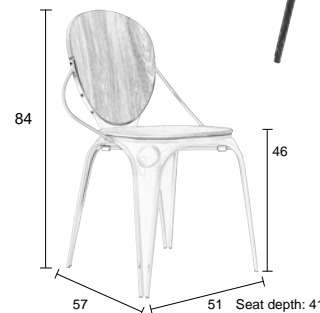


Design: Alexandre Arazola

Designer Alexandre Arazola on the concept of his patented design: "The mix of two French designs classics, the XVIIIth century wood medallion LOUIS XVI chair and the industrial, galvanized sheet chair of the 1930s. A well-balanced mix of curved and straight lines, and a perfect marriage of the materials to provide the best comfort on a solid chair."

Chair Louix is clearly inspired by an industrial classic, but our translation comes with a twist. Alexander made it a real Zuiver with the comfy wooden seating, detailing, colours and comfort. Chair Louix comes in two colours. You see, we like to give you a choice...

Patented design
 Solid ash wood seat and back,
 natural or antique finished
 Steel frame in white or black;
 PU-lacquered
 Zuiver-logo embossed on back of seat
 Maximum weight load: 136 kg



ZUIVER-CODE	GTIN-CODE	ITEM NAME			
1100159	8718548017061	CHAIR LOUIX ANTIQUE BLACK			
1100160	8718548017078	CHAIR LOUIX NATURAL WHITE			
PACKING	2 PCS/CTN	ORDER QTY: 2 PCS			
QTY	CTN SIZE (CM)	CBM	NW (KG)	GW (KG)	
2	64x56x99	0,35	17,5 (2x8,75)	20	



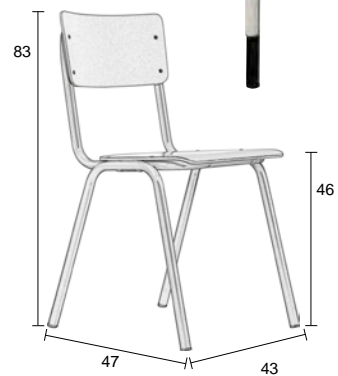
BACK TO SCHOOL CHAIR

The old school chair lost all restraint! It shed its dull colours and is now all about vibrant, fun colours. Resulting in our chair Back to School. Back and seat are in plywood with HPL top layer and the steel frame makes the Back to School conveniently stackable.

Back and seat in plywood with HPL toplayer
 Steel frame, powder coated
 Stackable
 Maximum weight load: 125 kg



ZUIVER-CODE	GTIN-CODE	ITEM NAME		
1008201	8718548003620	CHAIR BACK TO SCHOOL HPL BLACK		
1008202	8718548003637	CHAIR BACK TO SCHOOL HPL WHITE		
1008203	8718548003644	CHAIR BACK TO SCHOOL HPL YELLOW		
1008204	8718548003651	CHAIR BACK TO SCHOOL HPL ORANGE		
1008207	8718548003682	CHAIR BACK TO SCHOOL HPL RED		
1100286	8718548026902	CHAIR BACK TO SCHOOL HPL GREY		
PACKING	4 PCS/CTN	ORDER QTY: 4 PCS		
QTY	CTN SIZE (CM)	CBM	NW (KG)	GW (KG)
4	48x58x120	0,334	20 (4x5)	22





TABLES





TABLES



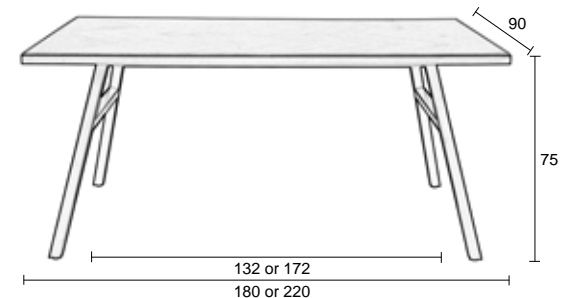
SETH TABLE NEW

Table Seth and table Seth are obviously alike, but completely different at the same time. Seth Oak has a distinctive black metal frame cradling a smooth and crisp looking herringbone wooden inlay. Seth Black, on the other hand, has a more industrial, rough looking appearance, without that heavy colour contrast. In other words, Seth and Seth share the same family genes but, just like human family members, they are not much alike.

Herringbone patterned oak veneer on MDF top,
 natural or black lacquered
 Black powder coated steel frame and legs
 Maximum weight load: 140 kg

2 sizes:
 180x90x75 cm (WxDxH)
 220x90x75 cm (WxDxH)

ZUIVER-CODE	GTIN-CODE	ITEM NAME		
2100079	8718548039933	TABLE SETH 180X90 OAK		
2100081	8718548039957	TABLE SETH 220X90 OAK		
2100080	8718548039940	TABLE SETH 180X90 BLACK		
2100082	8718548039964	TABLE SETH 220X90 BLACK		
PACKING	1 PCS/CTN			
SIZE	CTN SIZE (CM)	CBM	NW (KG)	GW (KG)
180x90	188,5x98,5x34	0,631	48,5	56,5
220x90	228,5x98,5x34	0,765	56,5	65,5

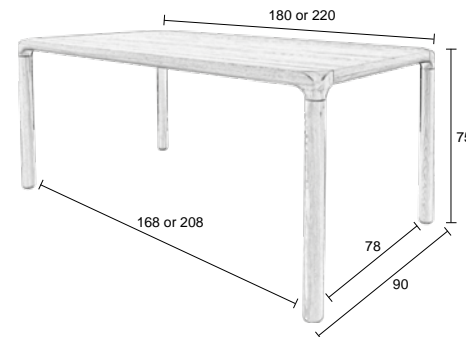




STORM TABLE

At first glance, you might just miss how table Storm is actually a work of art. Take a second look and you will see Storm is not just a pretty table, but is blessed with elaborate and great details. The v-groove in the table top is only one of its many details. Have you seen those artfully constructed ash wooden legs which seem to flow from the table top? Need we say more?

- 25 mm ash veneered MDF table top
- 50 mm solid ash borders with engraved Zuiver-logo
- 60 mm solid ash legs
- Clear or black PU-lacquered



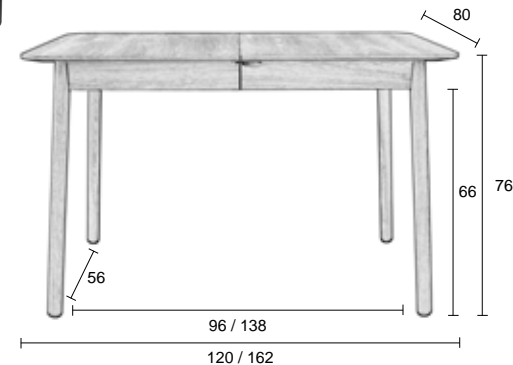
ZUIVER-CODE	GTIN-CODE	ITEM NAME		
2100065	8718548029156	TABLE STORM 180x90 NATURAL		
2100066	8718548029163	TABLE STORM 220x90 NATURAL		
2100069	8718548031388	TABLE STORM 180x90 BLACK		
2100070	8718548031395	TABLE STORM 220x90 BLACK		
PACKING	1 PCS/CTN			
SIZE	CTN SIZE (CM)	CBM	NW (KG)	GW (KG)
180x90	187,5x97,5x14,5	0,265	36	42
220x90	227,5x97,5x14,5	0,322	43	50



GLIMPS TABLE

Okay, so here is the problem a lot of us are dealing with: you live in a small condo. Nice and all. Perfectly styled, but small. Then you want to prepare dinner for your friends. Not one friend, but several. Lots even. What to do? Zuiver has the answer and you are looking straight at it: table Glimps. This elegant dining table is nicely sized for smaller rooms (120x80 cm) but can be transformed into a decent-sized eating area (162x80) in a jiffy!

Extendable dining table
 18 mm ash veneered MDF table top
 with 10 mm border
 45 mm solid ash legs
 Clear PU- & NC-lacquered
 Maximum weight load: 120 kg



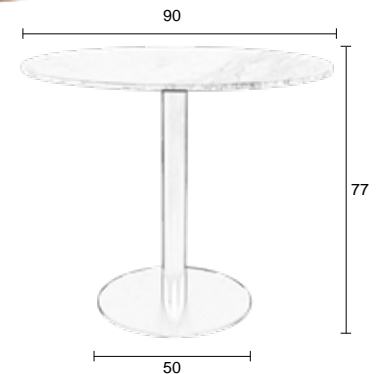
ZUIVER-CODE	GTIN-CODE	ITEM NAME		
2100073	8718548034310	TABLE GLIMPS 120/162X80 NATURAL		
2100074	8718548034327	TABLE GLIMPS 120/162X80 BLACK		
PACKING	1 PCS/CTN			
QTY	CTN SIZE (CM)	CBM	NW (KG)	GW (KG)
1	127,5x89x16	0,18	30	34



MARBLE KING TABLE

A high gloss white marble tabletop. O boy, does it get any better? The marble pattern keeps intriguing. In fact it would be a shame to use a tablecloth on our Zuiver Marble King dining table. And not even necessary, since this shiny marble is so easy to clean! Table Marble King comes with a black or copper leg. O boy...

16 mm white marble table top on a melamine coated MDF layer (for extra strength)
 Stainless steel leg (Ø 7,6 cm) & base (Ø 50 cm)
 copper plated or powdercoated in matte black
 Maximum weight load: 75 kg



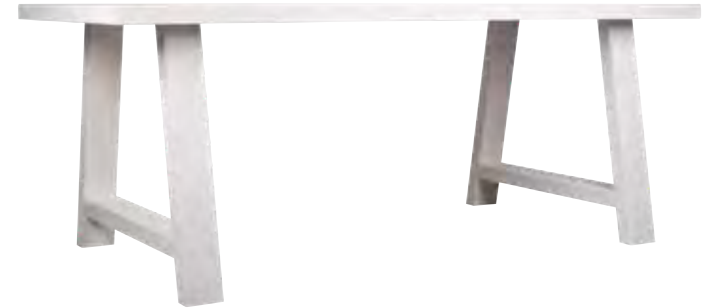
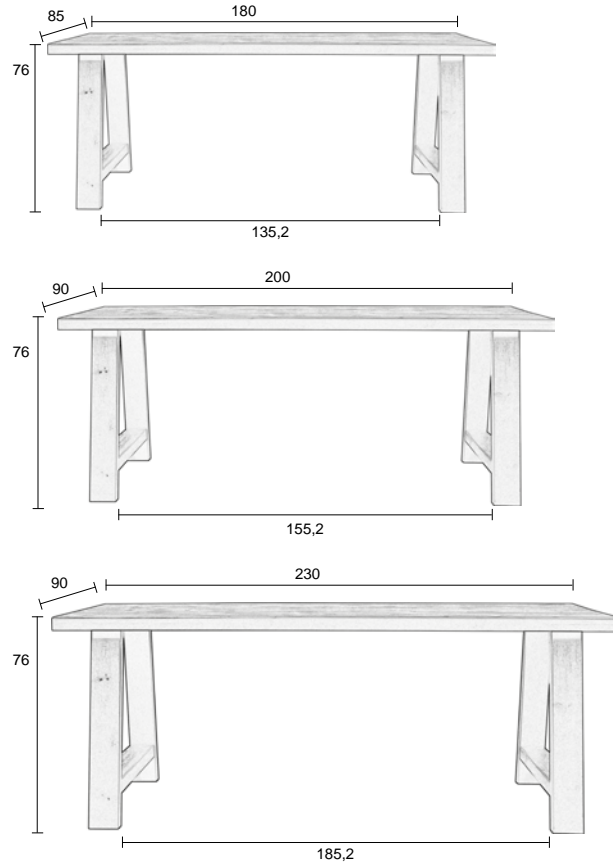
ZUIVER-CODE	GTIN-CODE	ITEM NAME		
2100071	8718548031432	TABLE MARBLE KING 90' COPPER		
2100072	8718548031494	TABLE MARBLE KING 90' BLACK		
PACKING	1 PCS/2 CTN			
COMPONENT	CTN SIZE (CM)	CBM	NW (KG)	GW (KG)
TABLE TOP	102,5x102x15	0,158	30,2	35,89
TABLE BASE	67,5x59x18	0,072	14,12	16,25



We dare to say our A-Framed table is a zesty addition to your interior. Although this solid pine table is all white, you'll find it will still spice up your meals, or the work you'll finish at it. A-Framed got its name because of the striking frame we used. This table comes in several sizes, so it should always be able to find a place in any home. Or office, for that matter.

A-FRAMED TABLE

4,8 cm solid pine top (2,4 cm + 2,4 cm sides)
 Solid pine A-frame (11x5,5 cm)
 White lacquered (water-based)



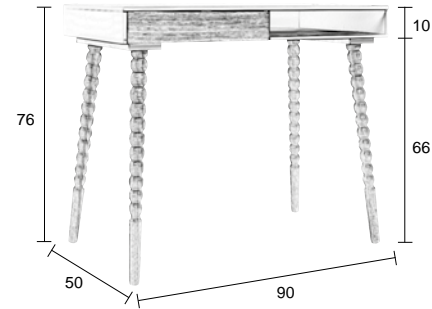
ZUIVER-CODE	GTIN-CODE	ITEM NAME		
2100056	8718548021983	TABLE A-FRAMED 180X85 WHITE		
2100057	8718548021990	TABLE A-FRAMED 200X90 WHITE		
2100058	8718548022003	TABLE A-FRAMED 230X90 WHITE		
PACKING	1 PCS / 2 CTN			
COMPONENT	CTN SIZE (CM)	CBM	NW (KG)	GW (KG)
TABLE TOP 180	ca. 182x87x5	0,079	22	22,5
TABLE TOP 200	ca. 202x92x5	0,093	25,5	26
TABLE TOP 230	ca. 232x92x5	0,107	28,5	29
LEGS	87x35x12	0,061	7,3	7,8



TWISTED DESK TABLE

Just look at our desk Twisted. Isn't she just the cutest workstation on this planet? We've experienced that most people only need a small workstation, somewhere in the home. But most of the time those are just as cold and clean as they sound: Workstations. Brrr.....Close that window please. So, we have designed a stylish one: Twisted. She's pretty. She is feminine. But in no way frumpy.

12 mm glossy white MDF table top
 Oak veneer drawer left: 43,5x40,5x5,5 cm (WxDxH)
 Open space right: 47,5x43x7,5 cm (WxDxH)
 Twisted rubber wood legs
 Maximum weight load: 70 kg



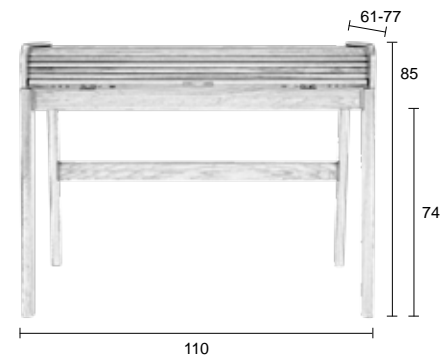
ZUIVER-CODE	GTIN-CODE	ITEM NAME		
2600001	8718548022393	DESK TABLE TWISTED		
PACKING	1 PCS/CTN			
QTY	CTN SIZE (CM)	CBM	NW (KG)	GW (KG)
1	100x58x18	0,104	15,2	17,2



BARBIER DESK TABLE

Ready for some magic? Pull the handle and something unexpected happens! Desk table Barbier has that typical Zuiver DNA. What's inside is even prettier than the outside. Done with work for the day? Store pens, papers and other notes inside, slide the table top back and get ready for the evening!

18 mm ash veneered MDF sides & retractable desk top
 Size desk top: 105,5x39,5 cm (WxD)
 Solid ash wood tambour roll top and legs
 2 compartments, MDF with ash-print foil
 Clear PU-lacquered
 Maximum weight load: 20 kg
 🇬🇧 Not available in the UK



ZUIVER-CODE	GTIN-CODE	ITEM NAME		
2600004	8718548030732	DESK TABLE BARBIER		
PACKING	1 PCS/CTN			
QTY	CTN SIZE (CM)	CBM	NW (KG)	GW (KG)
1	116x57x27,5	0,182	21	25



BARBIER CONSOLE TABLE

You just can't have enough console tables like Barbier. Show your favourite items on top of Barbier and hide your least favourite stuff inside! Your place will always be clean and tidy when friends or family come to visit unexpectedly. Yep, that's us. You can always count on Zuiver!

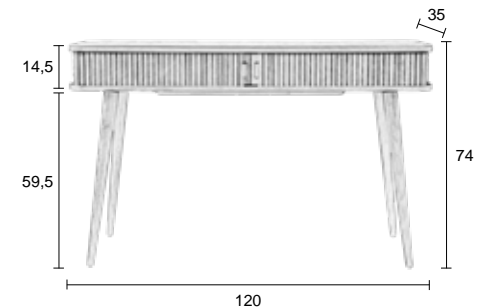
18 mm ash veneered MDF table top & bottom
Solid ash wood tambour doors and tapered legs (Ø 45 mm)

Small divider inside, MDF with ash-print foil

Clear PU-lacquered

Maximum weight load: 30 kg

🇬🇧 Not available in the UK



ZUIVER-CODE	GTIN-CODE	ITEM NAME		
2300097	8718548030763	CONSOLE TABLE BARBIER		
PACKING	1 PCS/CTN			
QTY	CTN SIZE (CM)	CBM	NW (KG)	GW (KG)
1	123,5x45,5x20,5	0,12	16	20



GUSTO CONSOLE TABLE NEW

Made for the urban jungle! Console table Gusto is the perfect companion for that indoor greenery trend. But it's not a mandatory thing, Gusto can be used in whatever way you'd like to use a console table. This pretty one has a table top with an antique, nickel look and the black metal frame stands on tiny decorative casters. Resulting in a table with spunk!

Silver lacquered aluminium top
 Black powder coated iron shelves & frame on castors
 Maximum weight load: 55 kg
 Dimensions: 80x26x73,5 cm (WxDxH)



ZUIVER-CODE	GTIN-CODE	ITEM NAME		
2600007	8718548040304	CONSOLE TABLE GUSTO		
PACKING	1 PCS/CTN			
QTY	CTN SIZE (CM)	CBM	NW (KG)	GW (KG)
1	86,5x13x82	0,092	12,19	16



GUNNIK SIDE TABLE NEW

Side table Gunnik will win anyone's heart with its talent for versatility and its sleek, last century inspired design. Gunnik is the perfect side table or bedside table, with a magazine rack to hold your favourite publications and the occasional encyclopedia. Or simply your laptop and e-reader! Because let's face it, Gunnik might have pleasant fifties features, that antique brass table top makes it a full blown 21st century side table!

7 mm brass lacquered aluminium table top
 Black powder coated iron frame with wire shelf
 Maximum weight load: 65 kg
 Dimensions: 50,5x36x43,5 cm (WxDxH)



ZUIVER-CODE	GTIN-CODE	ITEM NAME		
2300136	8718548040298	CONSOLE TABLE GUSTO		
PACKING	1 PCS/CTN			
QTY	CTN SIZE (CM)	CBM	NW (KG)	GW (KG)
1	51x36x56	0,107	6	9



WHITE STONE SIDE TABLE

Zuiver adopted the Nature Trend with these White Stone tables. We have made White Stone side tables for everyone. This perfect combo of natural materials, oak and marble, comes in no less than three sizes. A house big or small, there is always one your size.

15 mm Italian marble top
 Solid oak frame and legs with oil finish
 Available in 3 sizes:
 S: 32x45 cm (Ø x H)
 M: 40x40 cm (Ø x H)
 L: 50x32 cm (Ø x H)
 Maximum weight load: 10 kg



ZUIVER-CODE	GTIN-CODE	ITEM NAME		
2300008	8718548011960	SIDE TABLE WHITE STONE L		
PACKING	1 PCS/CTN			
QTY	CTN SIZE (CM)	CBM	NW (KG)	GW (KG)
1	56x56x9	0,03	9,8	10,7
ZUIVER-CODE	GTIN-CODE	ITEM NAME		
2300009	8718548011977	SIDE TABLE WHITE STONE M		
PACKING	1 PCS/CTN			
QTY	CTN SIZE (CM)	CBM	NW (KG)	GW (KG)
1	49x46x9	0,02	6,6	7,4

ZUIVER-CODE	GTIN-CODE	ITEM NAME		
2300010	8718548011984	SIDE TABLE WHITE STONE S		
PACKING	1 PCS/CTN			
QTY	CTN SIZE (CM)	CBM	NW (KG)	GW (KG)
1	56x38x9	0,02	4,6	5,3



DENDRON SIDE TABLE

We've seen a lot of wooden side tables in our designing years. Yet side table Dendron, wasn't one of them. You can't help but picture this pretty wooden side table everywhere! It features simplicity, with nice details in the carved wooden top and it has a pretty woodgrain design made by Mother Nature herself. Dendron comes in two sizes and they overlap! Oh, what a joy!

Solid mango wood top (25 mm) and legs (42,5 mm)
 Dimensions:
 S: 43x45 cm (Ø x H)
 L: 60x40 cm (Ø x H)
 Maximum weight load: 25 kg



ZUIVER-CODE	GTIN-CODE	ITEM NAME		
2300059	8718548024977	SIDE TABLE DENDRON S		
2300060	8718548024984	SIDE TABLE DENDRON L		
PACKING	1 PCS/CTN			
SIZE	CTN SIZE (CM)	CBM	NW (KG)	GW (KG)
S	46x46x14	0,03	3,85	4,75
L	64x64x13	0,057	6,05	7,5



KARRARA SIDE TABLE

At first glance, side table Karrara seems to defy gravity. A beautiful heavy marble table top on its very very slender legs. But make no mistake: Karrara is sturdy as can be as we made those thin legs out of unyielding iron. The result is an über elegant occasional table. Its small footprint makes it very easy to place in your home, tuck it away in a nice corner or place it as a side table next to your favourite chair.

25 mm polished marble tabletop with 45 mm border
 Cast iron legs, powder coated
 Dimensions: 33x45 cm (Ø x H)
 Maximum weight load: 30 kg



ZUIVER-CODE	GTIN-CODE	ITEM NAME		
2300087	8718548030251	SIDE TABLE KARRARA GREY		
2300088	8718548030268	SIDE TABLE KARRARA WHITE		
PACKING	1 PCS/CTN			
QTY	CTN SIZE (CM)	CBM	NW (KG)	GW (KG)
1	40x17x44	0,03	8,5	9,5



MARBLE POWER SIDE TABLE & COFFEE TABLE

An elegant black steel frame and a good slab of white marble. What a great combination! It gives Zuiver's Marble Power an architectural quality. Marble Power comes in two sizes: a bigger one which doubles as a coffee table and side table (imagine it with a collection of nicely styled accessories on top...!). The smaller version of the two, ideal to keep your book within arm's reach of your favourite chair.

19 mm marble top

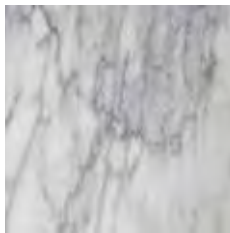
Steel cube frame, black powder coated

Dimensions side table: 32x32x43 cm (WxDxH)

Dimensions coffee table: 90x40x35 cm (WxDxH)

Maximum weight load side table: 23 kg

Maximum weight load coffee table: 60 kg



ZUIVER-CODE	GTIN-CODE	ITEM NAME		
2300061	8718548024991	SIDE TABLE MARBLE POWER		
PACKING	1 PCS/CTN			
QTY	CTN SIZE (CM)	CBM	NW (KG)	GW (KG)
1	39x40,5x54,5	0,086	6,9	9

ZUIVER-CODE	GTIN-CODE	ITEM NAME		
2200017	8718548027596	COFFEE TABLE MARBLE POWER		
PACKING	1 PCS/CTN			
QTY	CTN SIZE (CM)	CBM	NW (KG)	GW (KG)
1	49,5x25,5x105	0,133	24,2	28,2



JASON SIDE TABLE

Drum rolls and trumpets please! What do you think of our trumpet side table Jason? We think it looks pretty refined and just awesome. The secret lies in the combination of black powder coated steel and black oak veneer. The table top with border is by the way ideal for the more or less clumsy people among us. No drinks, candle holders or vases will fall off Jason easily.

9 mm MDF tabletop with 30 mm plywood border
 Oak veneered, black NC-lacquered
 Sand powder coated steel leg in black
 Dimensions: 46x55,7 cm (Ø x H)
 Base: Ø 27,5 cm
 Maximum weight load: 15 kg



ZUIVER-CODE	GTIN-CODE	ITEM NAME		
2300112	8718548034457	SIDE TABLE JASON		
PACKING	1 PCS/CTN			
QTY	CTN SIZE (CM)	CBM	NW (KG)	GW (KG)
1	51x48x26	0,064	5,2	7



TIGA SIDE TABLE

A multifunctional side table! That's what we shouted when Zuiver Tiga was born. It's a set of two small tables. Small, but still rough and tough! Tiga is made out of cast aluminium. A powder coating in matt black and cool grey gives the grained surface an industrial touch.

These two little rascals love to be together, but you can also separate them. Don't worry, you don't have to feel bad about this. They also stand alone well! So, do you already know for what purpose you'd like to use Zuiver's Tiga?

Set of 2 side tables

Cast aluminium, powder coated in grey & black

Dimensions small: 25x45 cm (Ø x H)

Dimensions large: 35x52,5 cm (Ø x H)

Maximum weight load: 50 kg



ZUIVER-CODE	GTIN-CODE	ITEM NAME		
2300091	8718548030473	SIDE TABLE TIGA SET OF 2		
PACKING	1 PCS/CTN (SET OF 2)			
QTY	CTN SIZE (CM)	CBM	NW (KG)	GW (KG)
1 (SET OF 2)	39x41x61	0,1	5,1	8,3



OAK TRAY COFFEE TABLE & SIDE TABLE

Oak Tray is a table with benefits. Not only does the high border keep things from being knocked over, the tabletop also doubles as a tray. Imagine: All those empty glasses and bowls with crumbs can be brought to the kitchen in just one go! But to us that's only one of the reasons to buy it. We just love the look of it! Especially since it comes in two sizes, a higher side table and a full size coffee table, which of course combine beautifully!

Removable tray on frame
 MDF top with plywood border
 Oak veneer, natural colour
 Steel legs, powder coated in black
 Dimensions side table: 46,5x55,5 cm (Ø x H)
 Maximum weight load: 15 kg
 Dimensions coffee table: 78x45 cm (Ø x H)
 Maximum weight load: 35 kg



ZUIVER-CODE	GTIN-CODE	ITEM NAME		
2200009	8718548025004	COFFEE TABLE OAK TRAY		
PACKING	1 PCS/CTN			
QTY	CTN SIZE (CM)	CBM	NW (KG)	GW (KG)
1	84x82x10	0,069	7,2	9

ZUIVER-CODE	GTIN-CODE	ITEM NAME		
2300003	8718548004399	SIDE TABLE OAK TRAY		
PACKING	1 PCS/CTN			
QTY	CTN SIZE (CM)	CBM	NW (KG)	GW (KG)
1	60x52x9,5	0,03	4,8	5,6



TRIP SIDE TABLE

Wow, how versatile this smart little side table Trip is. To begin with: Trip comes with a smaller brother. Or bigger sister, if you will. A set of two, that is. One slightly bigger than the other and the enamel version comes with a different finish on both table tops. That's because we just love making colour and material combinations. Here comes the handy part. These Trip tables can be used not only to hold your coffee, but also to style a forgotten corner or hold a nice houseplant. Use them together or place one at the other side of the room. They don't mind! Our Trip combo comes in a brass tabletop version and an enamel tabletop version. To suit your every style need.

Set of 2 side tables

Brass plated & lacquered steel table top
 Iron table top with enamel look coating
 Black powder coated iron legs, Ø 13 mm
 Maximum weight load: 10 kg

Dimensions:

Low: 31x40 cm (Ø x H)

High: 31x50,5 cm (Ø x H)

ZUIVER-CODE	GTIN-CODE	ITEM NAME		
2300108	8718548032217	SIDE TABLE SET TRIP SET OF 2 BRASS		
2300109	8718548032224	SIDE TABLE SET TRIP SET OF 2 ENAMEL		
PACKING	1 PCS/CTN			
QTY	CTN SIZE (CM)	CBM	NW (KG)	GW (KG)
brass	35x35x28	0,034	3,94	6,53
enamel	35x35x28	0,034	4,17	6,65





FLOW SIDE TABLE

Nesting tables! Don't you just love them? We do too! Especially these ones, with their oil drop inspired top. All shiny, because of the enamel we used on the metal tabletop. And if you find yourself in a dilemma while choosing, ("Black or blue? Blue or black?") simply decide not to decide at all: They combine sooo nice!

Set of 2 side tables
 Aluminium tabletop with enamel coating
 Cast iron legs, black powder coated
 Dimensions small: 31x40 cm (Ø x H)
 Dimensions large: 40x45 cm (Ø x H)
 Maximum weight load: 20 kg



ZUIVER-CODE	GTIN-CODE	ITEM NAME		
2300089	8718548030459	SIDE TABLE FLOW SET OF 2 BLACK		
2300090	8718548030466	SIDE TABLE FLOW SET OF 2 BLUE		
PACKING	1 PCS/CTN (SET OF 2)			
QTY	CTN SIZE (CM)	CBM	NW (KG)	GW (KG)
1 (SET OF 2)	45x21x45	0,043	4,95	7,7



CUPID MARBLE SIDE TABLE

Side table Cupid is so versatile in style, decorating options and overall use, that we decided it needed to come in even more finishes. That is also how we keep this Zuiver classic up-to-date with the latest decorating trends. This season our light weight, yet sturdy Cupid comes in copper, silver, gold, black and (whoop-whoop:) two marble-look finishes!

Detachable table top,
marble laminated & tempered glass
Foldable iron frame, powder coated
Dimensions: 43x45 cm (Ø x H)
Maximum weight load: 5 kg



ZUIVER-CODE	GTIN-CODE	ITEM NAME		
2300080	8718548027619	SIDE TABLE CUPID MARBLE BLACK		
2300081	8718548027626	SIDE TABLE CUPID MARBLE WHITE		
PACKING	1 PCS/CTN			
QTY	CTN SIZE (CM)	CBM	NW (KG)	GW (KG)
1	49x48x9,8	0,023	3,84	4,6



CUPID LARGE & XXL SIDE TABLE

In The Netherlands we have a saying; 'Small children grow up'. At Zuiver we tend to see our products as our children, therefore it made sense to us to make a 'grown up' version of one of our bestsellers: side table Cupid. Cupid Large and XXL is the result. Feel free to compose your own Cupid family!

Detachable glass table top (copper mirror glass or black low tempered glass)
 Foldable iron frame (10 mm), copper plated or black powder coated
 Maximum weight load: 5 kg
 Dimensions Large: 62,5x40 cm (Ø x H)
 Dimensions XXL: 82,5x35 cm (Ø x H)



ZUIVER-CODE	GTIN-CODE	ITEM NAME			
2300049	8718548023307	SIDE TABLE CUPID LARGE COPPER			
2300051	8715848023758	SIDE TABLE CUPID LARGE BLACK			
PACKING	1 PCS/CTN				
QTY	CTN SIZE (CM)	CBM	NW (KG)	GW (KG)	
1	69x68,5x9,8	0,046	7,2	9	

ZUIVER-CODE	GTIN-CODE	ITEM NAME			
2300050	8718548023314	SIDE TABLE CUPID XXL COPPER			
2300052	8718548023765	SIDE TABLE CUPID XXL BLACK			
PACKING	1 PCS/CTN				
QTY	CTN SIZE (CM)	CBM	NW (KG)	GW (KG)	
1	89x88,5x9,8	0,077	10,6	13	



CUPID SIDE TABLE

So, we actually had meetings about Cupid. For we couldn't decide what colour this light weight, yet sturdy, side table had to come in. Copper, silver, gold or black. We even asked our Facebook fans. In the end we decided not to decide at all. We think all our Cupids earn existence.

Black:

Detachable coloured tempered glass table top

Foldable iron frame, powder coated

Copper/silver/gold:

Detachable mirror glass table top

Foldable iron frame, copper/brass plated or chromed

Dimensions: 43x45 cm (Ø x H)

Maximum weight load: 5 kg



ZUIVER-CODE	GTIN-CODE	ITEM NAME		
2300036	8718548017634	SIDE TABLE CUPID BLACK		
2300038	8718548017658	SIDE TABLE CUPID COPPER		
2300039	8718548017665	SIDE TABLE CUPID SILVER		
2300079	8718548026650	SIDE TABLE CUPID GOLD		
PACKING	1 PCS/CTN			
QTY	CTN SIZE (CM)	CBM	NW (KG)	GW (KG)
1	49x48x9,8	0,023	3,84	4,6



KELLY TRAY SIDE TABLE

A table with benefits, that is what Kelly Tray is. Her top (yes we decided Kelly Tray is a she) can double as a tray. Ideal for entertaining. All the glasses are transported to the kitchen in just one go.

Steel wire frame and tray, powdercoated in glossy white or metallic gold
Removable tray for separate use
Dimensions: 50x57 cm (Ø x H)
Maximum weight load: 15 kg



ZUIVER-CODE	GTIN-CODE	ITEM NAME		
2300041	8718548019263	SIDE TABLE KELLY TRAY GOLD		
4001201	8718548005679	SIDE TABLE KELLY TRAY WHITE		
PACKING	1 PCS/CTN			
QTY	CTN SIZE (CM)	CBM	NW (KG)	GW (KG)
1	53,5x53,5x39,5	0,113	5,2	6,7

HANDLE SIDE TABLE

One can never predict when it comes in handy to carry along ones side table. But we predict, once you own this cute, little Zuiver, you'll realize how handy it is to have: A table with a handle. Brilliant. Just plain, brilliant. Oh, and good looking too, don't you agree?!

18 mm MDF table top with bamboo veneer in natural colour on both sides
15 mm powder coated black steel tube, bended to shape legs and handle
Maximum weight load: 15 kg
Dimensions: 38,5x57 cm (Ø x H)



ZUIVER-CODE	GTIN-CODE	ITEM NAME		
2300040	8718548018952	SIDE TABLE HANDLE BAMBOO BLACK		
PACKING	1 PCS/CTN			
QTY	CTN SIZE (CM)	CBM	NW (KG)	GW (KG)
1	51x42x22	0,047	2,3	3,3

OSB M&L is completely in sync with the worldwide decorating trend that is inspired by the average construction site. The top is made out of OSB board and we added a stylish touch at the side and underneath. How cool is that?



OSB SIDE TABLE

18 mm OSB pannel top, natural PU-lacquered
Powder coated, foldable metal legs
Dimensions M: 40x36 cm (Ø x H)
Dimensions L: 60x40 cm (Ø x H)



ZUIVER-CODE	GTIN-CODE	ITEM NAME		
2300031	8718548016804	SIDE TABLE OSB M WHITE		
PACKING	4 PCS/CTN	ORDER QTY: 4 PCS		
QTY	CTN SIZE (CM)	CBM	NW (KG)	GW (KG)
1	41x41x5,8	0,01	2,4	
4	43x43x26,5	0,049	9,6 (4x2,4)	10,7
ZUIVER-CODE	GTIN-CODE	ITEM NAME		
2300034	8718548016835	SIDE TABLE OSB L WHITE		
PACKING	2 PCS/CTN	ORDER QTY: 2 PCS		
QTY	CTN SIZE (CM)	CBM	NW (KG)	GW (KG)
1	61x61x5,8	0,022	4,1	
2	63x63x14,5	0,058	8,2 (2x4,1)	9,7

ENAMEL SIDE TABLE

We were definitely inspired by the fifties when we came up with Enamel. This classic little side table comes in a set of three coordinated colours, also inspired by the era in furniture history. We like to stay in style, you know.

Set of 3 side tables
Iron, epoxy coated top
Dimensions:
S: 31x29 cm (Ø x H)
M: 31x40 cm (Ø x H)
L: 31x45 cm (Ø x H)



ZUIVER-CODE	GTIN-CODE	ITEM NAME		
2300025	8718548016323	SIDE TABLE ENAMEL SET OF 3		
PACKING	1 PCS/CTN (SET OF 3)			
QTY	CTN SIZE (CM)	CBM	NW (KG)	GW (KG)
1 (SET OF 3)	59x75x7	0,031	7,4	10,6



TWO TONE SIDE TABLE

Still in doubt about what your side table should look like? Not able to choose between a wooden or a lacquered one? Don't worry, our Two Tone is a combination of both! That's us, we love to keep it as simple as possible for you.

10 mm plywood, basswood veneer top with colour finish
 Rubber wood legs with coloured feet
 Dimensions: 48x47,5 cm (Ø x H)



ZUIVER-CODE	GTIN-CODE	ITEM NAME		
2300004	8718548004405	SIDE TABLE TWO TONE WHITE		
2300007	8718548004436	SIDE TABLE TWO TONE DARK GREY		
PACKING	1 PCS/CTN			
QTY	CTN SIZE (CM)	CBM	NW (KG)	GW (KG)
1	51x49,5x7	0,018	2,2	2,9



HIDE & SEEK SIDE TABLE

Hide & Seek is our answer to ugly, but necessary, small clutter in your interior. Pens, remote controls, mail you don't want to see. Not yet. Side table Hide & Seek will be happy to swallow it. Temporarily. Until you're ready to deal with it. Hide & Seek comes in two neutral colours.

9 & 12 mm MDF top with plywood border
 Total height top: 55 mm; height opening 34 mm
 Rubber wood base
 Dimensions: 46x50 cm (Ø x H)



ZUIVER-CODE	GTIN-CODE	ITEM NAME		
2300021	8718548014749	SIDE TABLE HIDE AND SEEK WHITE		
2300078	8718548026544	SIDE TABLE HIDE AND SEEK GREY		
PACKING	1 PCS/CTN			
QTY	CTN SIZE (CM)	CBM	NW (KG)	GW (KG)
1	49,5x49,5x10	0,0283	3,5	4,2



TREETOP SIDE TABLE

Neatly sawn boards of Teak? Boring! Treetop is constructed out of a slab of the teak tree. So no two are alike. We gave this side table metal legs. And then we just stopped meddling with it. Because it was just perfect.

Teak wood top without finish
 Black powder coated metal legs
 Table top: 5 cm
 Dimensions: 30-35x45 cm (Ø x H)



ZUIVER-CODE	GTIN-CODE	ITEM NAME		
2300083	8718548028951	SIDE TABLE TREETOP (kd)		
PACKING	1 PCS/CTN			
QTY	CTN SIZE (CM)	CBM	NW (KG)	GW (KG)
1	46x46x11	0,02	4-5	5-6

ANTIQUÉ COPPER STOOL

So stylish and hip anyone could find a spot at home for Antique Copper. This lovely convex side table can always be right there: at your side. It is of course perfect for an interior with a 'Marrakech theme'. But we believe this side table would feel at ease in any home, no matter what the theme is.

Antique hammered copper
 Dimensions: 37x48 cm (Ø x H)



ZUIVER-CODE	GTIN-CODE	ITEM NAME		
1400023	8718548016361	STOOL ANTIQUE COPPER		
PACKING	1 PCS/CTN			
QTY	CTN SIZE (CM)	CBM	NW (KG)	GW (KG)
1	41x41x52	0,087	3,2	5,7



MOSAIC SIDE TABLE

The perfect square. That's what Mosaic is to us. Not only because of its obvious shape. But also because of what it was made out of. Mosaic is constructed out of recycled wooden tiles. And exactly that is what gives Mosaic its pretty colour shades.

Recycled teak and acacia wood without finish
 Dimensions: 40x40x40 cm (WxDxH)
 Maximum weight load: 150 kg



ZUIVER-CODE	GTIN-CODE	ITEM NAME		
2400002	8718548004450	DECO TABLE MOSAIC		
PACKING	1 PCS/CTN			
QTY	CTN SIZE (CM)	CBM	NW (KG)	GW (KG)
1	42x42x43	0,08	11,6	12,4

CUMI SIDE TABLE

We call this baby an 'occasional table'. Why? Well, simple: you can use Cumi at any occasion! The striking legs are composed out of a miniature mangrove of Mango wood. I bet none of your friends can say they have a mango wood piece of furniture. Unless, of course, they beat you to it and got Cumi first!

Particle board, resin glossy white lacquered
 Mango wood branches base without finish
 Dimensions: 45x45 cm (Ø x H)



ZUIVER-CODE	GTIN-CODE	ITEM NAME		
4000615	8718548005594	SIDE TABLE CUMI GLOSSY WHITE		
PACKING	1 PCS/CTN			
QTY	CTN SIZE (CM)	CBM	NW (KG)	GW (KG)
1	47x47x47	0,104	9,5	11



SEATERS





SEATERS



KING SOFA

Feel as happy as a king with our new sofa King! Of course this sofa had to be king-size. Big enough to invite a bunch of friends for a great night including tasty drinks and bites. King is a muscular sofa with clean lines. Are you a big fan of the minimalistic style, then King is your man! More in the mood for a cosy atmosphere? Decorate King with plenty of cushions to cosy up your living room!

Let King seduce you with its inviting look and be overwhelmed with its great sitting comfort.

King is available in two colours: light and dark grey. Sofa King can come along with a matching hocker to make your Netflix nights even more comfortable. It's up to you!

3,5 seater (2 connected elements)

100% polyester fabric, >50.000 Martindale, colour fastness 4

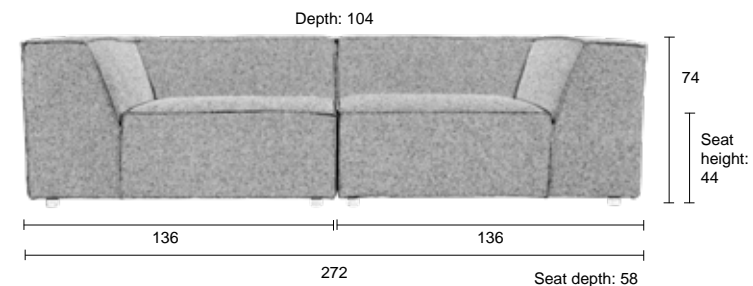
Filling: PU-foam, density 25-35

Frame: pine wood, chipboard, hardwood, plywood

Suspension: no-sag

50 mm plastic legs

Maximum weight load: 250 kg

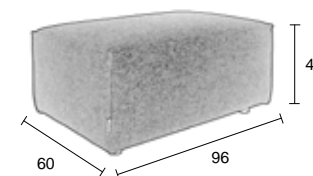
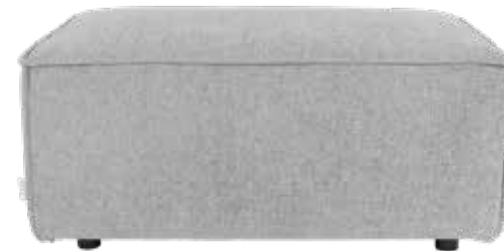


ZUIVER-CODE	GTIN-CODE	ITEM NAME		
3200116	8718548034334	SOFA KING LIGHT GREY		
3200117	8718548034365	SOFA KING DARK GREY		
PACKING	1 PCS/ 2 CTN (mix of carton and plastic)			
COMPONENT	CTN SIZE (CM)	CBM	NW (KG)	GW (KG)
LEFT	138x76x106	1,11	31	34
RIGHT	138x76x106	1,11	31	34



KING HOCKER

100% polyester fabric, >50.000 Martindale, colour fastness 4
 Filling: PU-foam, density 25-30
 Frame: pine wood, chipboard, plywood
 Suspension: no-sag
 50 mm plastic legs
 Maximum weight load: 110 kg



ZUIVER-CODE	GTIN-CODE	ITEM NAME		
3300025	8718548034396	HOCKER KING LIGHT GREY		
3300026	8718548034402	HOCKER KING DARK GREY		
PACKING	1 PCS/CTN (mix of carton and plastic)			
QTY	CTN SIZE (CM)	CBM	NW (KG)	GW (KG)
1	96x47x62	0,28	16	18



BOR SOFA

Be warned. When you see the Bor sofa and armchair, you'll feel like plopping down on them and never getting up again. They feature a very robust and rather masculine look with sturdy armrests, a solid seat cushion and visible stitching. The very soft covering fabric provides a nice contrast. Bor comes in two sizes: a very comfy 2,5-seater and an armchair to upgrade your living room. Once you've decided on Bor, you still need to make the difficult choice between the three attractive colours. Good luck with choosing!

Bor 2,5-seater with fixed seat and back
 85,5% textured polyester, 14,5% polypropylene fabric,
 >25.000 Martindale, colour fastness 5
 Filling: PU-foam, density 30-35
 Frame: pine wood, chipboard, hardboard, plywood
 Suspension: no-sag
 25 mm black plastic legs
 Maximum weight load: 250 kg



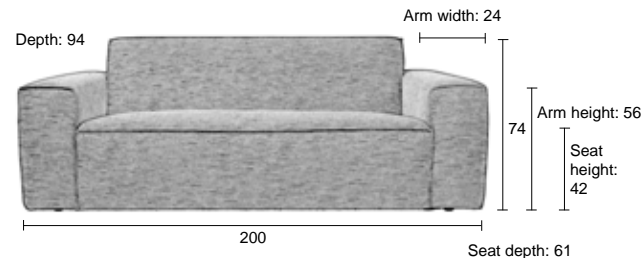
latte



grey



anthracite



ZUIVER-CODE	GTIN-CODE	ITEM NAME		
3200118	8718548035300	SOFA BOR 2,5-SEATER LATTE		
3200119	8718548035317	SOFA BOR 2,5-SEATER GREY		
3200120	8718548035324	SOFA BOR 2,5-SEATER ANTHRACITE		
PACKING	1 PCS/CTN (mix of carton and plastic)			
QTY	CTN SIZE (CM)	CBM	NW (KG)	GW (KG)
1	204x70x100	1,43	57	60



BOR SOFA

Bor 1-seater with fixed seat and back
 85,5% textured polyester, 14,5% polypropylene fabric,
 >25.000 Martindale, colour fastness 5
 Filling: PU-foam, density 30-35
 Frame: pine wood, chipboard, hardboard, plywood
 Suspension: no-sag
 25 mm black plastic legs
 Maximum weight load: 250 kg



latte

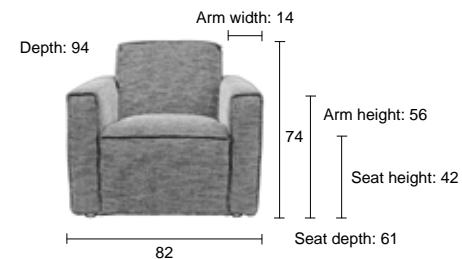


grey



anthracite

ZUIVER-CODE	GTIN-CODE	ITEM NAME		
3200121	8718548035331	SOFA BOR 1-SEATER LATTE		
3200122	8718548035348	SOFA BOR 1-SEATER GREY		
3200123	8718548035355	SOFA BOR 1-SEATER ANTHRACITE		
PACKING	1 PCS/CTN (mix of carton and plastic)			
QTY	CTN SIZE (CM)	CBM	NW (KG)	GW (KG)
1	101x96x50	0,48	27	30





JEAN SOFA

Don't you dare call our Jean sofa "just an ordinary sofa." Our design team loves it to bits and for good reason. After hours and hours of drawing and fine tuning, they are proud to present this very comfortable sofa. They have managed to design a slender sofa with a classy attitude. And, as if the sofa on its own wouldn't be enough to upgrade your living room, an armchair is available too. Isn't that great?

Jean 2,5-seater with velcro-fixed back & seat cushion with removable cover
 85,5% textured polyester, 14,5% polypropylene fabric, >25.000 Martindale, colour fastness 5
 Filling: PU-foam, density 30-35
 Frame: pine wood, chipboard, hardboard, plywood
 Suspension: no-sag
 13 cm black steel legs
 Maximum weight load: 250 kg



latte

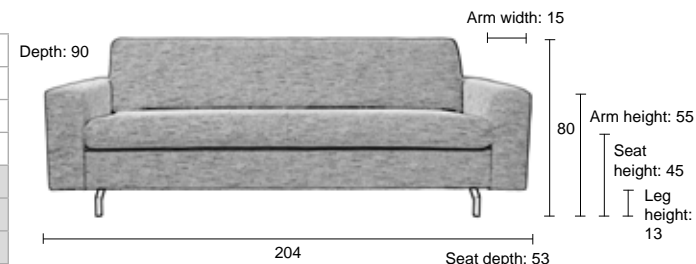


grey



anthracite

ZUIVER-CODE	GTIN-CODE	ITEM NAME		
3200124	8718548035362	SOFA JEAN 2,5-SEATER LATTE		
3200125	8718548035379	SOFA JEAN 2,5-SEATER GREY		
3200126	8718548035386	SOFA JEAN 2,5-SEATER ANTHRACITE		
PACKING	1 PCS/CTN (mix of carton and plastic)			
QTY	CTN SIZE (CM)	CBM	NW (KG)	GW (KG)
1	206x96x50	0,99	53	56





JEAN SOFA

Jean 1-seater with velcro-fixed back & seat cushion with removable cover

85,5% textured polyester, 14,5% polypropylene fabric, >25.000 Martindale, colour fastness 5

Filling: PU-foam, density 30-35

Frame: pine wood, chipboard, hardboard, plywood

Suspension: no-sag

13 cm black steel legs

Maximum weight load: 250 kg



latte

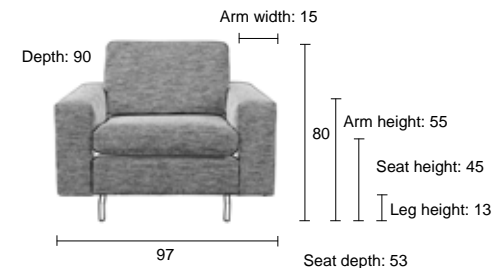


grey



anthracite

ZUIVER-CODE	GTIN-CODE	ITEM NAME		
3200127	8718548035393	SOFA JEAN 1-SEATER LATTE		
3200128	8718548035409	SOFA JEAN 1-SEATER GREY		
3200129	8718548035416	SOFA JEAN 1-SEATER ANTHRACITE		
PACKING	1 PCS/CTN (mix of carton and plastic)			
QTY	CTN SIZE (CM)	CBM	NW (KG)	GW (KG)
1	101x96x84	0,81	24	27





JAEY SOFA

Our Zuiver design team, once again, really outdid themselves by designing sofa Jaey. This very feminine lounge set can just as easily stand up to masculine interiors, simply by choosing another fabric. Jaey comes in various sizes to accommodate every lounge area. Go ahead and mix and match sizes and fabric, in other words: have fun with Jaey!

Seat cushions: PU-foam, density 30
Back cushions: HR PU-foam, density 30
Frame: pine wood, plywood
Suspension: no-sag
Black metal legs

CHOOSE YOUR FABRIC



salmon

SALSA

100% polyester
Martindale >100.000
Colour fastness 5



grey/blue 81

COMFORT

100% polypropylene
Martindale: 50.000
Colour fastness 4



light grey 91

COMFORT

100% polypropylene
Martindale: 50.000
Colour fastness 4

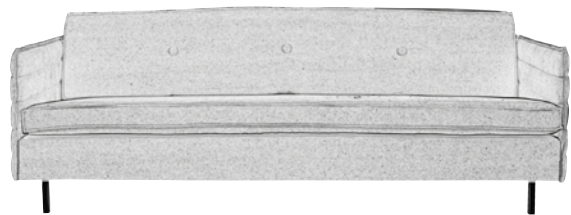


grey 67

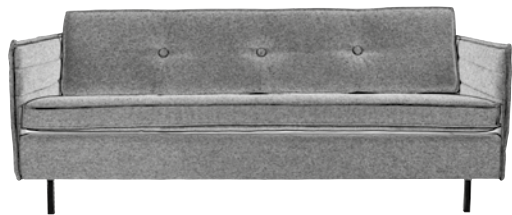
STONE

100% cotton
Martindale >30.000
Colour fastness 5





209



181



72



76

65

50

Seat depth: 57,5 cm

3200043	8718548027725	SOFA JAEY 3-SEATER SALSA SALMON		
3200044	8718548027732	SOFA JAEY 3-SEATER COMFORT GREY/BLUE 81		
3200045	8718548027749	SOFA JAEY 3-SEATER COMFORT LIGHT GREY 91		
3200049	8718548027787	SOFA JAEY 3-SEATER STONE GREY 67		
PACKING	1 PCS (mix of carton and plastic)			
QTY	CTN SIZE (CM)	CBM	NW (KG)	GW (KG)
1	211x78x92	1,51	55	58
3200053	8718548027824	SOFA JAEY 2,5-SEATER SALSA SALMON		
3200054	8718548027831	SOFA JAEY 2,5-SEATER COMFORT GREY/BLUE 81		
3200055	8718548027848	SOFA JAEY 2,5-SEATER COMFORT LIGHT GREY 91		
3200059	8718548027886	SOFA JAEY 2,5-SEATER STONE GREY 67		
PACKING	1 PCS (mix of carton and plastic)			
QTY	CTN SIZE (CM)	CBM	NW (KG)	GW (KG)
1	183x78x92	1,31	48	51
3200063	8718548027923	SOFA JAEY 1-SEATER SALSA SALMON		
3200064	8718548027930	SOFA JAEY 1-SEATER COMFORT GREY/BLUE 81		
3200065	8718548027947	SOFA JAEY 1-SEATER COMFORT LIGHT GREY 91		
3200069	8718548027985	SOFA JAEY 1-SEATER STONE GREY 67		
PACKING	1 PCS (mix of carton and plastic)			
QTY	CTN SIZE (CM)	CBM	NW (KG)	GW (KG)
1	74x78x92	0,53	19	22



DRAGON RIB SOFA

Dragon will hold three of your family members comfortably during your typical television evening. Two big comfy cushions to support your back, and we decided to throw in two extra cushions for your arms. Or head. Or feet. Or just to throw to the dog who is trying to steal your popcorn. And if then you unfortunately spill your popcorn on Dragon, don't worry. Just remove the cover and take it to the dry cleaner's.

Removable cover in ribcord fabric
(88% nylon, 12% polyester), >40.000 Martindale
Filling: Polyether foam
Foam density seat 32, other 26
Chromed metal base
2 arm cushions included
Maximum weight load: 250 kg

ZUIVER-CODE	GTIN-CODE	ITEM NAME			
3200001	8718548005396	SOFA DRAGON 3-SEATER RIB BLUE			
3200004	8718548005426	SOFA DRAGON 3-SEATER RIB GREY			
3200042	8718548025851	SOFA DRAGON COOL GREY			
PACKING	1 PCS (mix of carton and plastic)				
QTY	PACKING SIZE (CM)	CBM	NW (KG)	GW (KG)	
1	ca. 213x95x54	1,09	50	52	



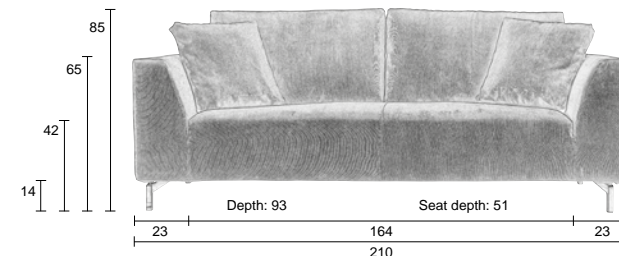
blue



cool grey



grey



Yo, meet Fat Freddy! If Fat Freddy could talk, this would be his slang. Fat Freddy seems simple but is actually as versatile as can be. He comes in several colours and fabrics and is also available in two versions: A left one and a right one. Combine them and puzzle your own lounge area to leap on and sink into, literally! We made the top layer of Fat Freddy's cushions extra soft for your convenience, bro!



FAT FREDDY SOFA

Back & seat cushions: PU-foam, density 35 + toplayer of 50% siliconised fiber filling & 50% feathers
 Frame: pine wood, chipboard, hardwood, plywood
 Suspension: no-sag
 50 mm plastic legs
 Depth 3-seater: 103 cm, seat depth 63 cm
 Depth longchair: 188 cm

Choose your fabric on page 68

3200073	8718548028029	SOFA FAT FREDDY LEFT SALSA SALMON		
3200074	8718548028036	SOFA FAT FREDDY LEFT COMFORT GREY/BLUE 81		
3200075	8718548028043	SOFA FAT FREDDY LEFT COMFORT LIGHT GREY 91		
3200079	8718548028081	SOFA FAT FREDDY LEFT STONE GREY 67		
3200083	8718548028326	SOFA FAT FREDDY RIGHT SALSA SALMON		
3200084	8718548028333	SOFA FAT FREDDY RIGHT COMFORT GREY/BLUE 81		
3200085	8718548028340	SOFA FAT FREDDY RIGHT COMFORT LIGHT GREY 91		
3200089	8718548028388	SOFA FAT FREDDY RIGHT STONE GREY 67		
PACKING	1 PCS/2 CTN (mix of carton and plastic)			
COMPONENT	CTN SIZE (CM)	CBM	NW (KG)	GW (KG)
3-SEATER	207x105x74	1,61	49	52
LONGCHAIR	190x105x74	1,48	48	51



Fat Freddy left
Salsa Salmon



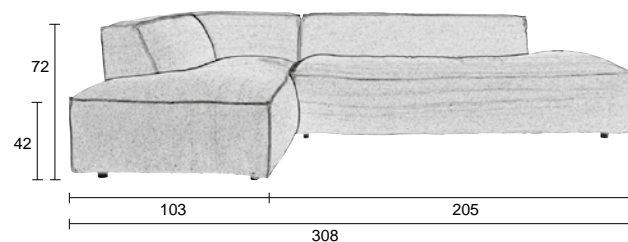
Fat Freddy right
Comfort Grey/Blue 81



Fat Freddy left
Comfort Light Grey 91



Fat Freddy right
Stone Grey 67

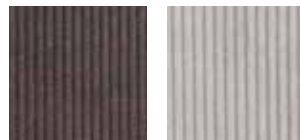




JAMES SOFA

True, not everyone is a designer. But with our element sofa James you can be one! You can make your James as small or huge as you want. You can choose from several elements in two colours of our signature rib fabric. Wanna be different? Then James is your man! Mix and match elements to create your own ultimate sofa.

Fixed cover in ribcord fabric with piping
 Fabric: 88% nylon, 12% polyester, >40.000 Martindale
 Filling: PU foam
 Frame: fir wood, ply wood
 Foam density seat 33
 Maximum weight load: 200 kg



grey

cool grey

ZUIVER-CODE	GTIN-CODE	ITEM NAME		
3200147	8718548037144	ELEMENT SOFA JAMES RIB GREY		
3200152	8718548037199	ELEMENT SOFA JAMES RIB COOL GREY		
PACKING		1 PCS/CTN		
QTY	CTN SIZE (CM)	CBM	NW (KG)	GW (KG)
1	88x95x76/42	0,46	22,3	25,4

ZUIVER-CODE	GTIN-CODE	ITEM NAME		
3200148	8718548037151	ELEMENT SOFA JAMES ARM LEFT RIB GREY		
3200149	8718548037168	ELEMENT SOFA JAMES ARM RIGHT RIB GREY		
3200153	8718548037205	ELEMENT SOFA JAMES ARM LEFT RIB COOL GREY		
3200154	8718548037212	ELEMENT SOFA JAMES ARM RIGHT RIB COOL GREY		
PACKING		1 PCS/CTN		
QTY	CTN SIZE (CM)	CBM	NW (KG)	GW (KG)
1	114x95x76/53	0,7	29,7	34,8
ZUIVER-CODE	GTIN-CODE	ITEM NAME		
3200150	8718548037175	ELEMENT SOFA JAMES CORNER RIB GREY		
3200155	8718548037229	ELEMENT SOFA JAMES CORNER RIB COOL GREY		
PACKING		1 PCS/CTN		
QTY	CTN SIZE (CM)	CBM	NW (KG)	GW (KG)
1	93x93x76	0,657	24,8	28,1
ZUIVER-CODE	GTIN-CODE	ITEM NAME		
3200151	8718548037182	ELEMENT SOFA JAMES HOCKER RIB GREY		
3200156	8718548037236	ELEMENT SOFA JAMES HOCKER RIB COOL GREY		
PACKING		1 PCS/CTN		
QTY	CTN SIZE (CM)	CBM	NW (KG)	GW (KG)
1	90x90x43	0,348	18,9	21,6



JAMES SOFA

For your convenience you can use below Zuiver-codes to order a preconfigured sofa.



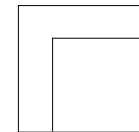
Sofa James 2-seater



Sofa James 3-seater

ZUIVER-CODE	GTIN-CODE	ITEM NAME
3200157	8718548037243	SOFA JAMES 2-SEATER RIB GREY
3200158	8718548037250	SOFA JAMES 3-SEATER RIB GREY
3200159	8718548037267	SOFA JAMES 2-SEATER RIB COOL GREY
3200160	8718548037274	SOFA JAMES 3-SEATER RIB COOL GREY

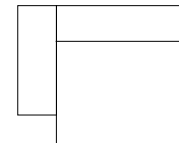
POSSIBLE ELEMENTS INCLUDING COVER



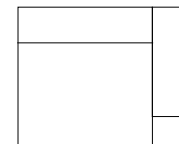
CORNER
91 x 91 x 74 CM (WxDxH)
SEAT HEIGHT: 41 CM



ELEMENT
86 x 91 x 74 CM (WxDxH)
SEAT HEIGHT: 41 CM



ELEMENT ARM LEFT
112 x 91 x 74 CM (WxDxH)
SEAT HEIGHT: 41 CM



ELEMENT ARM RIGHT
112 x 91 x 74 CM (WxDxH)
SEAT HEIGHT: 41 CM



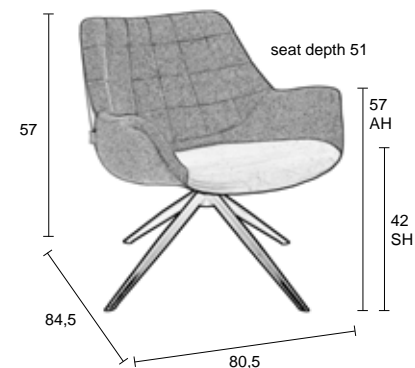
HOCKER
86 x 86 x 41 CM
(WxDxH)



DOULTON LOUNGE CHAIR NEW

Some chairs are just so fabulous that we want to do more with the design. Like Doulton. Just one Doulton wasn't enough. We wanted more, so we designed office chair Doulton. But we still sensed a Doulton hunger in ourselves and amongst Doulton's many fans. So, we went back to the drawing board once more and are now happy to present Lounge Chair Doulton Vintage Brown! Yes, even the name is impressive...

Padded upholstery in 100% polyester fabric,
 > 50.000 Martindale, colour fastness 4,5-5
 Vintage PU-leather on seat & back,
 > 38.000 Martindale, colour fastness 4- 5
 Plywood shell with polyurethane foam, density 30
 Black powder coated steel swivel base with plastic foot caps
 Maximum weight load: 100 kg



ZUIVER-CODE	GTIN-CODE	ITEM NAME		
3100064	8718548038790	LOUNGE CHAIR DOULTON VINTAGE BROWN		
PACKING	1 PCS/CTN			
QTY	CTN SIZE (CM)	CBM	NW (KG)	GW (KG)
1	80x68x51	0,277	14,6	17,6



NIKKI LOUNGE CHAIR NEW

Remember that swivel foot chair you weren't supposed to swivel in, back when you were a kid? Well, Nikki is up to the task, so get yourself one and swivel your time away! This ultra-elegant lounge chair with PU leather upholstery and thin, black metal foot will make sure you look your best while swivelling!

Vintage PU-leather upholstery,
 > 38.000 Martindale, colour fastness 4- 5
 Plywood shell with polyurethane foam, density 35
 Black powder coated steel swivel base with
 plastic foot caps
 Maximum weight load: 100 kg

ZUIVER-CODE	GTIN-CODE	ITEM NAME		
3100065	8718548038806	LOUNGE CHAIR NIKKI ALL BLACK		
3100066	8718548038813	LOUNGE CHAIR NIKKI ALL BROWN		
PACKING	1 PCS/CTN			
QTY	CTN SIZE (CM)	CBM	NW (KG)	GW (KG)
1	80x70x48	0,269	15,6	18,6





ADWIN LOUNGE CHAIR

Adwin is an armchair with fifties class to it. So comfy, ideal to relax and watch your favorite soap, or finally start reading that pile of books that have been waiting for you. The armrests will never chill your bare arms, since we covered the stainless steel there with PU-leather.

Fixed upholstery; available in 4 kinds of fabrics:

- Black and white pied de poule (100% cotton)
- Black felt-like fabric (55% wool, 45% viscose)

- Multi-coloured mixed fabric (100% polyester)
 - Dark grey fabric (100% polyester)
- 25.000 martindale, colour fastness 4

Polyester foam filling, density 30

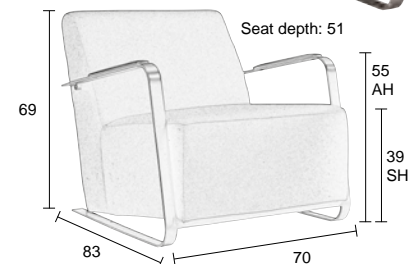
Stainless steel frame

Armrests with strip in black artificial leather

Maximum weight load: 200 kg



ZUIVER-CODE	GTIN-CODE	ITEM NAME		
3003003	8718548004986	LOUNGE CHAIR ADWIN BLACK&WHITE		
3003004	8718548004993	LOUNGE CHAIR ADWIN FELT BLACK		
3100070	8718548040830	LOUNGE CHAIR ADWIN MULTI		
3100071	8718548040847	LOUNGE CHAIR ADWIN DARK GREY		
PACKING	1 PCS/CTN			
QTY	CTN SIZE (CM)	CBM	NW (KG)	GW (KG)
1	75x86x51/72	0,40	20	24



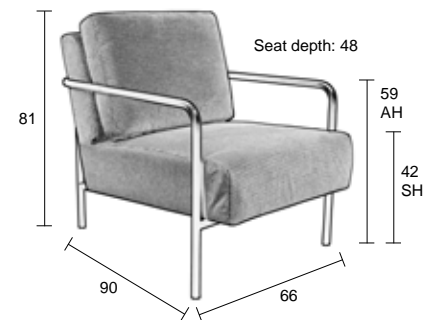


X-BANG LOUNGE CHAIR

Sometimes we like to evolve our bestsellers. Bring them up to date with the latest trends, give them a rebirth, a 2.1 version, a next generation! So, without further ado, let us present to you X-Bang, reinvented! It features a matte, black frame and a nice soft fabric with an ever so subtle hexagon pattern in it.

But no worries for the fans, X-Bang is just as comfortable as it ever was. With its wide seat and extra comfy back pillow, that goes without saying!

Back and seat with removable cover in patterned fabric
 Fabric: 100% polyester, 25.000 Martindale, colour fastness 4
 PU-foam filling, foam density 35
 Black powdercoated frame, plastic feet
 Maximum weight load: 150 kg



ZUIVER-CODE	GTIN-CODE	ITEM NAME		
3100059	8718548036734	LOUNGE CHAIR X-BANG BLACK / LIGHT GREY		
3100060	8718548036741	LOUNGE CHAIR X-BANG BLACK / DARK GREY		
PACKING	1 PCS/CTN			
QTY	CTN SIZE (CM)	CBM	NW (KG)	GW (KG)
1	90x80x93	0,67	14	15



LAZY M LOUNGE CHAIR

Big on comfort, yet small on taking up space! Next to its stunning looks, that is the main quality of our lounge chair Lazy. This Zuiver design will keep your lounge area spacious while seating your friends, family or yourself. Combine them right next to each other to create a two seater, or keep your distance and just relax by yourself...

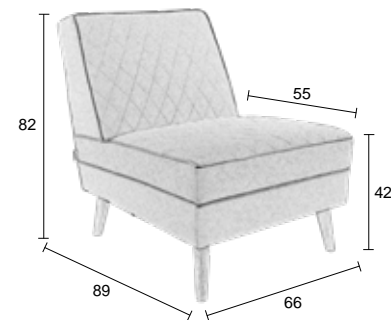
Back and seat in diamond stitched fabric with piping
Fabric: 100% polyester, >25.000 Martindale, colour fastness 5

Polyester foam filling, density 32

Solid wood and plywood frame with no-sag springs

Solid fir wood legs, natural lacquered

Maximum weight load: 150 kg



ZUIVER-CODE	GTIN-CODE	ITEM NAME		
3100038	8718548028906	LOUNGE CHAIR LAZY M SKY BLUE		
3100039	8718548028913	LOUNGE CHAIR LAZY M GREY		
PACKING	1 PCS/CTN			
QTY	CTN SIZE (CM)	CBM	NW (KG)	GW (KG)
1	67x78x67 (L-shaped box)	0,29	14,6	17,4



LAZY SACK LOUNGE CHAIR + HOCKER

Who are you calling fat? We call our Lazy Sack fat. And he is proud of it! Look at that oversized cushioning, those round forms and sink-in-ready comfort. Who wouldn't want to subside into all that luxurious soft material? Check out those baseball bat legs, you just know he is sturdy enough to just dive into. And: there is a footstool too!

You should never judge anything by its size. Same with hocker Lazy Sack. Of course he sort of belongs to the much bigger lounge chair Lazy Sack, but we feel that hocker Lazy Sack has so much going for him that he could also be a standalone! He can be combined with your existing sofa or lazy chair or be a quick seater by himself...

Upholstery in vintage PU-leather,
 >50.000 Martindale, colour fastness 4-5
 PU-foam filling, density 30-35
 Plywood frame
 Solid beech legs, matte black powder coated
 Maximum weight load: 100 kg



ZUIVER-CODE	GTIN-CODE	ITEM NAME		
3100043	8718548031418	LOUNGE CHAIR LAZY SACK		
PACKING	1 PCS/CTN			
QTY	CTN SIZE (CM)	CBM	NW (KG)	GW (KG)
1	89x77x59	0,404	17,5	20,5

ZUIVER-CODE	GTIN-CODE	ITEM NAME		
3300024	8718548031487	HOCKER LAZY SACK		
PACKING	1 PCS/CTN			
QTY	CTN SIZE (CM)	CBM	NW (KG)	GW (KG)
1	81x54x28	0,122	10,5	13,5





RIDGE LOUNGE RIB CHAIR- & ARMCHAIR

Ridge Lounge Rib is the perfect lounge chair especially if you like yours not to be prominent. The comfortably 'floating' seat and open frame keeps your interior roomy and open enough to add a footstool. So we made you one. Because we would like you to be as comfortable as possible. As you have come to expect from us, Ridge Lounge Rib comes in more than enough colours and the choice is yours: with comfy armrests or without.

Lounge chair and hocker

Chair with or without armrest in bakelite

Back and seat in ribcord fabric with piping

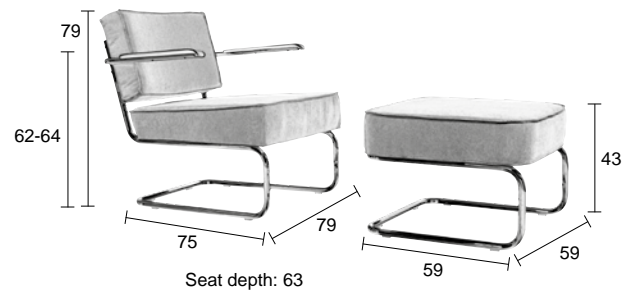
Fabric: 88% nylon, 12% polyester, >40.000 Martindale

Chromed frame with glides

Maximum weight load: 120 kg



ZUIVER-CODE	GTIN-CODE	ITEM NAME		
3100009	8718548005273	LOUNGE CHAIR RIDGE RIB GREY 6A		
3100011	8718548005297	LOUNGE CHAIR RIDGE RIB BLUE 12A		
3100013	8718548005310	LOUNGE CHAIR RIDGE RIB YELLOW 24A		
3100031	8718548026148	LOUNGE CHAIR RIDGE RIB COOL GREY 32A		
PACKING	1 PCS/CTN			
QTY	CTN SIZE (CM)	CBM	NW (KG)	GW (KG)
1	90x80x93	0,670	ca. 12	ca. 14,5



ZUIVER-CODE	GTIN-CODE	ITEM NAME		
3100015	8718548005334	LOUNGE CHAIR RIDGE RIB ARM GREY 6A		
3100017	8718548005358	LOUNGE CHAIR RIDGE RIB ARM BLUE 12A		
3100019	8718548005372	LOUNGE CHAIR RIDGE RIB ARM YELLOW 24A		
3100032	8718548026629	LOUNGE CHAIR RIDGE RIB ARM COOL GREY 32A		

PACKING	1 PCS/CTN			
QTY	CTN SIZE (CM)	CBM	NW (KG)	GW (KG)
1	90x80x93	0,670	ca. 13,5	ca. 16

ZUIVER-CODE	GTIN-CODE	ITEM NAME		
3300002	8718548005471	HOCKER RIDGE RIB GREY 6A		
3300004	8718548005495	HOCKER RIDGE RIB BLUE 12A		
3300006	8718548005518	HOCKER RIDGE RIB YELLOW 24A		
3300022	8718548026926	HOCKER RIDGE RIB COOL GREY 32A		

PACKING	1 PCS/CTN (TOGETHER WITH CHAIR)			
QTY	CTN SIZE (CM)	CBM	NW (KG)	GW (KG)
1	fits in box with chair		ca. 7,7	



CABINETS





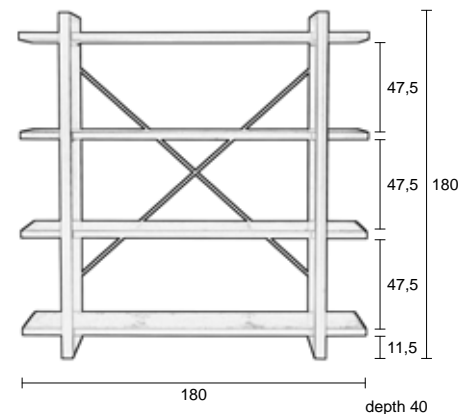
CABINETS



MORGAN SHELF NEW

Life is full of surprises and Shelf Morgan is one of them. Admit it, you think this good-looking shelf is made entirely out of metal? Well, you're supposed to, but Morgan here has wooden shelves! Even the sturdy black border is made of MDF. The wooden shelves are covered with a galvanised iron top layer. Nice, right?

Fixed shelves with galvanised iron top layer
 Honeycomb core with MDF border
 Grey powder coated iron frame
 Maximum weight load: 100 kg per shelf



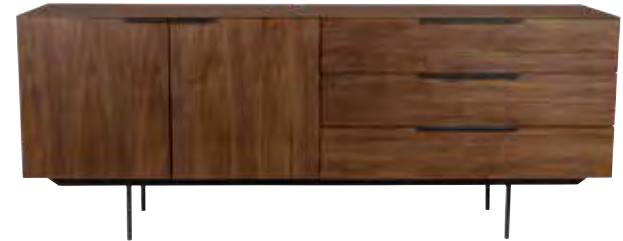
ZUIVER-CODE	GTIN-CODE	ITEM NAME		
4200012	8718548038370	SHELF MORGAN		
PACKING	1 PCS/CTN			
QTY	CTN SIZE (CM)	CBM	NW (KG)	GW (KG)
1	185x44x33	0,27	48,6	50



TRAVIS SIDEBOARD NEW

Our sideboard Travis borrows its charm from iconic mid-century modern design. With its ultra-thin looking top, dark metal hardware and slim legs, Travis has the sophisticated looks of a family heirloom. Travis is available in two colours, each with their own character and feel.

MDF sideboard with black lacquered oak veneer or natural lacquered walnut veneer
 Soft-close drawers & doors, with one shelf
 Slim metal grips, black lacquered
 Black powder coated steel frame with plastic foot caps
 Maximum weight load: 60 kg



ZUIVER-CODE	GTIN-CODE	ITEM NAME		
4300013	8718548040021	SIDEBOARD TRAVIS WALNUT		
4300014	8718548040038	SIDEBOARD TRAVIS BLACK OAK		
PACKING	1 PCS/CTN			
QTY	CTN SIZE (CM)	CBM	NW (KG)	GW (KG)
1	187x52x81	0,788	64,5	78



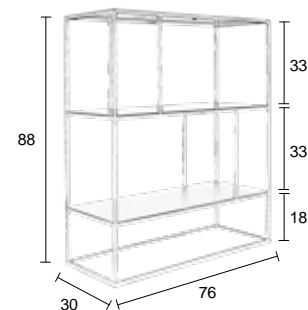
SON SHELF

Make all your home accessories shine on shelf Son. Son features a slim, open, iron frame with shelves to hold your most precious possessions while keeping them in full sight. But it doesn't stop there, because we at Zuiver empower you to build shelf Son just as you like it. You see, Son is stackable but in a virtually invisible way, so you decide the height! Go ahead and show off what you got!

Grey powder coated iron cube frame (10 mm) and shelves
 Stackable
 Maximum weight load: 100 kg



ZUIVER-CODE	GTIN-CODE	ITEM NAME		
4200005	8718548032231	SHELF SON GREY		
PACKING	1 PCS/CTN			
QTY	CTN SIZE (CM)	CBM	NW (KG)	GW (KG)
1	83x37x95	0,292	15,5	20,57



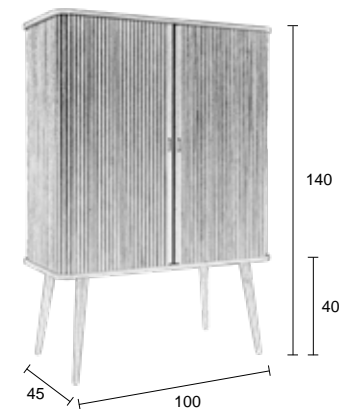


CABINETS

BARBIER CABINET

Wow, just wow... That's all we could think. Cabinet Barbier left us standing open-mouthed. We just cannot stop staring at this beauty! Look at those vertical lines, which make the cabinet even taller. Two sliding doors reveal three glass shelves, which you can adjust in height. Zuiver Barbier cabinet is big enough to store a lot of stuff. Tableware, books, your booze collection, we can think of dozens of uses for Barbier! You can also leave the doors slightly open and use it as a display cabinet.

18 mm ash veneered MDF top & bottom
 Solid ash wood tambour doors and tapered legs (Ø 45 mm)
 Clear PU-lacquered
 MDF with ash-print foil inside
 Three shelves: 6 mm tempered glass, adjustable in height
 Maximum weight load: 10 kg per glass shelf
 🇬🇧 Not available in the UK



ZUIVER-CODE	GTIN-CODE	ITEM NAME		
4100019	8718548030749	CABINET BARBIER		
PACKING	1 PCS/CTN			
QTY	CTN SIZE (CM)	CBM	NW (KG)	GW (KG)
1	107x53x114	0,65	52	57





BARBIER SIDEBORD

One sideboard, two sliding doors, two glass shelves and a lot of elegance. That's Zuiver Sideboard Barbier in a nutshell. But of course, Barbier is way more than that! It brings warmth and femininity into your interior. Look at the doors with their delicate vertical lines. Slide them back and two compartments arise in which you can store whatever you like. And that includes audio and TV media, because sideboard Barbier has holes in the bottom and back. Very handy, don't you think!?

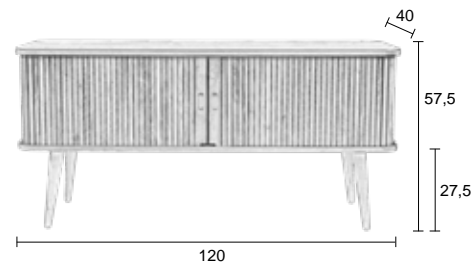
18 mm ash veneered MDF top & bottom
Solid ash wood tambour doors and tapered legs (Ø 45 mm)

Clear PU-lacquered
MDF with ash-print foil inside
Two shelves: 6 mm tempered glass,
adjustable in height

Cable opening and ventilation slot in
both compartments

Maximum weight load: 10 kg per glass shelf,
40 kg total sideboard

🇬🇧 Not available in the UK



ZUIVER-CODE	GTIN-CODE	ITEM NAME		
4300008	8718548030756	SIDEBORD BARBIER		
PACKING	1 PCS/CTN			
QTY	CTN SIZE (CM)	CBM	NW (KG)	GW (KG)
1	128x49x41	0,26	31	33



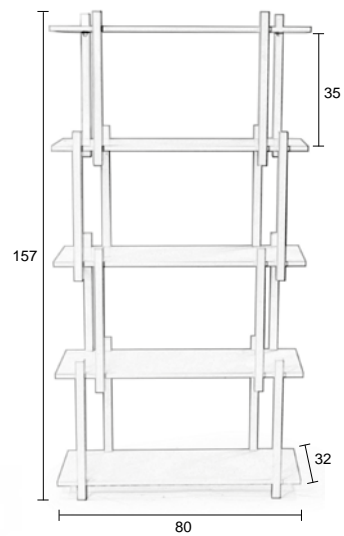
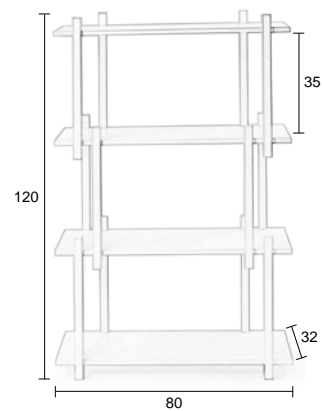
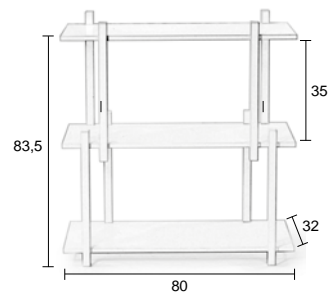
BUILD SHELF

Since the invention of the e-reader, some people claim paper books are on the verge of extinction. So what use is there for a new bookcase? Only by looking at our clever Shelf Build one will know the answer to this question. Look at it: It's pretty! It is a modern bookcase perfect for family heirlooms, prized possessions or stray knickknacks. And well yes, also books...

15 mm MDF shelves
 28 mm pine wood legs
 White NC-lacquered
 Maximum weight load per shelf: 30 kg



ZUIVER-CODE	GTIN-CODE	ITEM NAME		
4200002	8718548024861	SHELF BUILD THREE		
4200003	8718548024878	SHELF BUILD FOUR		
4200004	8718548024885	SHELF BUILD FIVE		
PACKING	1 PCS/CTN			
TYPE	CTN SIZE (CM)	CBM	NW (KG)	GW (KG)
BUILD THREE	88x38x11	0,037	9	10
BUILD FOUR	88x38x15,5	0,052	13	14,2
BUILD FIVE	88x38x17	0,057	16,5	17,8

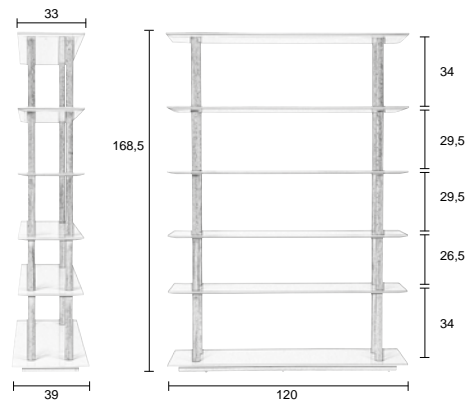




HIGH ON WOOD BOOKSHELF

Make your books fly. With super thin shelves in our High on Wood bookcase, your literature seems to float in between the solid oak frame. We can hardly stop raving about this fantastic combination of classic, heavy oak and the huge contrast with sleek, glossy, super modern MDF.

Solid oak legs with MDF shelves
 Glossy white PU-lacquered
 Maximum weight load per shelf: 12 kg



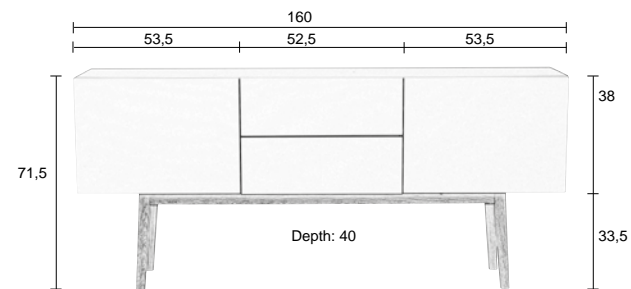
ZUIVER-CODE	GTIN-CODE	ITEM NAME		
4100000	8718548013261	BOOKSHELF HIGH ON WOOD		
PACKING	1 PCS/CTN			
QTY	CTN SIZE (CM)	CBM	NW (KG)	GW (KG)
1	135x49x26	0,172	40	44,5

We can hardly stop raving about this fantastic combination of classic, heavy oak and the huge contrast with sleek, glossy, super modern MDF. Our High on Wood cabinet will hold everything you don't want to reveal to the world. And, we dare to say, it does so in a very hip way.



HIGH ON WOOD 2DR 2DO CABINET

2 doors, 2 drawers
 Solid oak base
 Glossy white PU-lacquered MDF cabinet

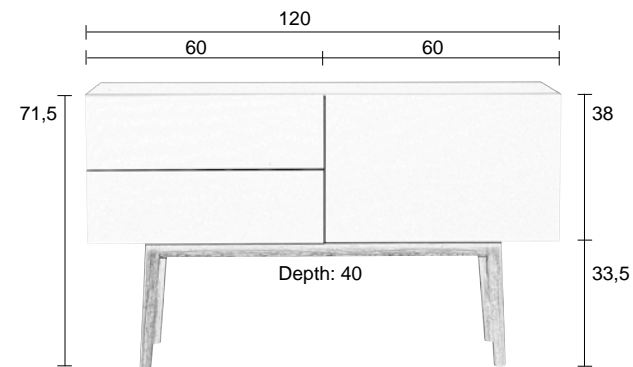


ZUIVER-CODE	GTIN-CODE	ITEM NAME		
4100004	8718548018686	CABINET HIGH ON WOOD 2 DR 2 DO		
PACKING	1 PCS/CTN			
QTY	CTN SIZE (CM)	CBM	NW (KG)	GW (KG)
1	174x50x22	0,18	48	50



HIGH ON WOOD 2DR 1DO CABINET

2 drawers, 1 door
 Solid oak base
 Glossy white PU-lacquered MDF cabinet

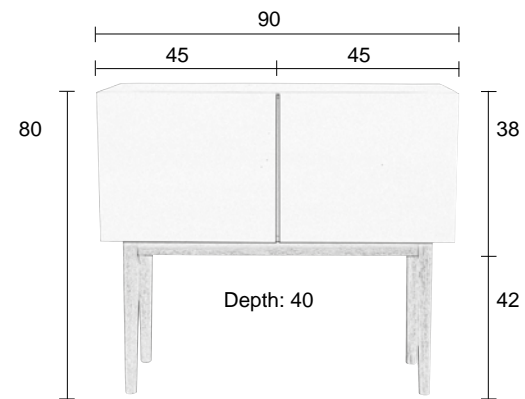


ZUIVER-CODE	GTIN-CODE	ITEM NAME		
4100005	8718548018693	CABINET HIGH ON WOOD 2 DR 1DO		
PACKING	1 PCS/CTN			
QTY	CTN SIZE (CM)	CBM	NW (KG)	GW (KG)
1	133x50x22	0,14	37	39



HIGH ON WOOD 2DO CABINET

2 doors
 Solid oak base
 Glossy white PU-lacquered MDF cabinet



ZUIVER-CODE	GTIN-CODE	ITEM NAME		
4100006	8718548018709	CABINET HIGH ON WOOD 2 DO		
PACKING	1 PCS/CTN			
QTY	CTN SIZE (CM)	CBM	NW (KG)	GW (KG)
1	104x50x23	0,11	26	28



CARPETS





CARPETS



MILLER CARPET NEW

Carpet Miller seems to work like a psychological inkblot test. What do you see in its pattern? Are those windmills, tiles, flowers or even stars? Tell us and we will know all about your character... Nah, of course we won't. But if you buy carpet Miller we can tell that (1) you are a stylish person with lots of good taste and (2) you will be living in a beautifully styled home. No doubt about that!

Machine woven carpet with distressed pattern

Pile: 80% cotton, 20% wool

Blanket stitched border

Jute backing, anti-slip

2 sizes:

170x240 cm (WxL)

200x300 cm (WxL)

Height: 3 mm



ZUIVER-CODE	GTIN-CODE	ITEM NAME		
6000184	8718548039117	CARPET MILLER 170X240 GREY		
6000185	8718548039124	CARPET MILLER 200X300 GREY		
6000186	8718548039131	CARPET MILLER 170X240 BLUE		
6000187	8718548039148	CARPET MILLER 200X300 BLUE		
PACKING	1 PCS			
SIZE	PACKING SIZE (CM)	CBM	NW (KG)	GW (KG)
170x240	190 length x Ø 14	0,03	8,97	9,4
200x300	220 length x Ø 17	0,05	13,2	13,85



RISE CARPET NEW

We could say that carpet Rise is inspired by secret Morse codes. That we mixed these codes with modern binary codes. Sure. We could say that. But it is not true. We simply fell for the contrast between the whites and the bits of black. So we decided to make it into a carpet with pretty festooned edges, made of pure cotton and sheep wool. The result is a beautiful, no-nonsense carpet. And that is the truth!

Machine woven carpet
 Pile: 80% cotton, 20% wool
 Blanket stitched border
 Jute backing, anti-slip
 2 sizes:
 170x240 cm (WxL)
 200x300 cm (WxL)
 Height: 3 mm



ZUIVER-CODE	GTIN-CODE	ITEM NAME		
6000188	8718548039155	CARPET RISE 170X240		
6000189	8718548039162	CARPET RISE 200X300		
PACKING	1 PCS/CTN			
SIZE	PACKING SIZE (CM)	CBM	NW (KG)	GW (KG)
170x240	190 length x Ø 14	0,03	8,97	9,4
200x300	220 length x Ø 17	0,05	13,2	13,85



VENUS CARPET

Carpet Venus is the strong, silent type. Its nice graphic pattern woven in robust threads speaks for itself. Venus is a rug full of character.

Hand-woven carpet
80% viscose, 20% cotton
Dimensions: 170x240 cm (WxL)
Height: 10 mm



ZUIVER-CODE	GTIN-CODE	ITEM NAME			
6000092	8718548034150	CARPET VENUS 170X240 GREY			
PACKING	1 PCS				
SIZE	PACKING SIZE (CM)	CBM	NW (KG)	GW (KG)	
1	173 length x Ø 18	0,044	10,9	12,4	

MARS CARPET

Opposites attract, that is a law of physics. Carpet Mars and carpet Venus differ just enough to proof that law once again. Do you have a favorite? We at Zuiver couldn't possibly choose. So we leave that up to you! Are you a Mars or a Venus?

Hand-woven carpet
80% viscose, 20% cotton
Dimensions: 170x240 cm (WxL)
Height: 10 mm



ZUIVER-CODE	GTIN-CODE	ITEM NAME			
6000091	8718548034143	CARPET MARS 170X240 INDIGO			
PACKING	1 PCS				
SIZE	PACKING SIZE (CM)	CBM	NW (KG)	GW (KG)	
1	173 length x Ø 18	0,044	10,9	12,4	



MALVA CARPET

Our carpet Malva is ideal for interiors in which you're allowed to fully enjoy life. Including bowls of salsa, big glasses of red wine or lemonade and the occasional muddy shoe. This handwoven baby is made with heavy and sturdy yarns. We made sure to use easy-to-clean materials that can stand up to the everyday wear and tear of areas that see heavy foot traffic and lots of parties. Malva comes in two sizes and three different colors.

Machine woven carpet

Pile: 80% cotton chenille, 20% wool
Jute & cotton mix backing, anti slip

- 170x240 cm (WxL)
- 200x300 cm (WxL)

Height: 6 mm

ZUIVER-CODE	GTIN-CODE	ITEM NAME			
6000164	8718548036550	CARPET MALVA 170X240 LIGHT GREY			
6000165	8718548036567	CARPET MALVA 200X300 LIGHT GREY			
6000166	8718548036574	CARPET MALVA 170X240 DARK GREY			
6000167	8718548036581	CARPET MALVA 200X300 DARK GREY			
6000168	8718548036598	CARPET MALVA 170X240 DENIM			
6000169	8718548036604	CARPET MALVA 200X300 DENIM			
PACKING	1 PCS				
SIZE	PACKING SIZE (CM)	CBM	NW (KG)	GW (KG)	
170x240	190 length x Ø 14	0,03	8,97	9,4	
200x300	220 length x Ø 17	0,05	13,2	13,85	



light grey

dark grey

denim



PALM CARPET

How do you like your palm tree? By day or by night?
 Our carpet Palm by Day is like a summer breeze on
 your floor. In complete harmony with nowadays
 botanical trends and available in two sizes.
 Boy, do we make everybody happy or what?

Machine-woven carpet
 Pile: 91% rayon, 9% polyester
 Synthetic rubber backing, anti slip

- 170x240 cm (WxL)
- 200x300 cm (WxL)

Height: 5,5 mm



by day

by night

ZUIVER-CODE	GTIN-CODE	ITEM NAME		
6000098	8718548035201	CARPET PALM 170X240 BY DAY		
6000099	8718548035218	CARPET PALM 200X300 BY DAY		
6000100	8718548035225	CARPET PALM 170X240 BY NIGHT		
6000155	8718548035232	CARPET PALM 200X300 BY NIGHT		
PACKING	1 PCS			
SIZE	PACKING SIZE (CM)	CBM	NW (KG)	GW (KG)
170x240	183 length x Ø 13,5	0,026	5,3	5,8
200x300	206 length x Ø 13,5	0,032	7,7	8,2

Note: This carpet has a soft pile. It can assume darker or lighter shades when it is walked on or vacuum cleaned. Colour variations may also appear when viewing the rug from different angles.



OBI CARPET

Is Carpet Obi Blue really blue or is it grey? And is Obi Grey actually grey or is it more black? Aha! You see what we did there? We created a pleasant colour confusion while designing Carpet Obi. On top of the colour magic we gave Obi a nice gradient effect which could also be confused for a slight vintage look. Result is a carpet that isn't revealing all its secrets at first glance.

Machine-woven carpet
 Pile: 91% rayon, 9% polyester
 Synthetic rubber backing, anti slip

- 170x240 cm (WxL)
- 200x300 cm (WxL)

Height: 5,5 mm

ZUIVER-CODE	GTIN-CODE	ITEM NAME		
6000156	8718548035249	CARPET OBI 170X240 BLUE		
6000157	8718548035256	CARPET OBI 200X300 BLUE		
6000158	8718548035263	CARPET OBI 170X240 GREY		
6000159	8718548035270	CARPET OBI 200X300 GREY		
PACKING	1 PCS			
SIZE	PACKING SIZE (CM)	CBM	NW (KG)	GW (KG)
170x240	183 length x Ø 13,5	0,026	5,3	5,8
200x300	206 length x Ø 13,5	0,032	7,7	8,2



blue

grey

Note: This carpet has a soft pile. It can assume darker or lighter shades when it is walked on or vacuum cleaned. Colour variations may also appear when viewing the rug from different angles.



GRACE CARPET

It might be obvious that we built our own Zuiver time machine for Grace carpet! We went back to the days when art deco was most popular. That's where we found our inspiration. We decorated Grace with clean lines and graphic figures. To give it a Zuiver twist, we chose some funky retro colours. Be bedazzled by the beauty of the continuous lines of Grace!

Machine woven carpet with relief pattern
 Pile: 60% heat-set polypropylene, 40% polyester
 Back finished with jute

- 160x230 cm (WxL)
- 200x290 cm (WxL)

Height: 9,5 mm



ZUIVER-CODE	GTIN-CODE	ITEM NAME		
6000160	8718548035287	CARPET GRACE 160X230		
6000161	8718548035294	CARPET GRACE 200X290		
PACKING	1 PCS			
SIZE	PACKING SIZE (CM)	CBM	NW (KG)	GW (KG)
160x230	180 length x Ø 20	0,06	9,4	9,7
200x290	220 length x Ø 21	0,076	14,7	15,2

Note: This carpet has a soft pile. It can assume darker or lighter shades when it is walked on or vacuum cleaned. Colour variations may also appear when viewing the rug from different angles.



PUNJA CARPET

Our carpet Punja has a nice cable-knit look to it. Punja is like your favourite sweater on the floor! What more could you ask for in an area rug? Of course, Punja isn't knitted, but woven by hand from a blend of wool and viscose yarn. It comes in light grey named 'Punja Marled' and in dark grey with the name 'Punja Graphite'.

Hand-woven carpet
 50% wool, 50% viscose
 Dimensions: 170x240 cm (WxL)
 Height: 10 mm



marled

graphite

ZUIVER-CODE	GTIN-CODE	ITEM NAME			
6000083	8718548032170	CARPET PUNJA 170x240 MARLED			
6000084	8718548032187	CARPET PUNJA 170x240 GRAPHITE			
PACKING	1 PCS				
SIZE	PACKING SIZE (CM)	CBM	NW (KG)	GW (KG)	
170x240	172 length x Ø 23	0,071	16	16,5	



MILKMAID CARPET

Oh yes, Dutch Design is famous around the world, but don't make the mistake of thinking that's a modern phenomenon. Dutch Design was already very en vogue in the 16th century! Back then we mastered the art of making Delftware, traditional blue drawings on pottery. These distinctive colours and patterns were what inspired us to make carpet Milkmaid.

Pottery patterns on the floor, we love it! And indeed, the name Milkmaid is a reference to another pride of Dutch heritage: painter Johannes Vermeer. But as a Dutch Design lover you knew that already, right?

Machine-woven carpet

Pile: 72% rayon, 14% cotton and 14% polyester
100% polyester backing

- 170x240 cm (WxL)
- 200x300 cm (WxL)

Height: 5 mm



ZUIVER-CODE	GTIN-CODE	ITEM NAME		
6001012	8718548034044	CARPET MILKMAID 170X240		
6001013	8718548034051	CARPET MILKMAID 200X300		
PACKING	1 PCS			
SIZE	PACKING SIZE (CM)	CBM	NW (KG)	GW (KG)
170x240	183 length x Ø 17	0,042	5,7	5,8
200x300	206 length x Ø 19	0,058	7,9	8



PURE CARPET

We like colours in the mix. That's what we were looking for in our Pure carpet. Various shades of black, grey and beige. Lively and real, like the wool it is made from. Far from boring! Pure comes in two different sizes and three different colours. It can be used in every room in your house, from study to living, from bedroom to guest room. So what are you waiting for?

Hand-woven carpet
80% wool felt, 20% sisal

- 160x230 cm (WxL)
- 200x300 cm (WxL)

Height: 10 mm

ZUIVER-CODE	GTIN-CODE	ITEM NAME		
6000041	8718548020580	CARPET PURE 160x230 NATURAL		
6000042	8718548020597	CARPET PURE 160x230 LIGHT GREY		
6000043	8718548020603	CARPET PURE 160x230 DARK GREY		
6000044	8718548020610	CARPET PURE 200x300 NATURAL		
6000045	8718548020627	CARPET PURE 200x300 LIGHT GREY		
6000046	8718548020634	CARPET PURE 200x300 DARK GREY		
PACKING	1 PCS			
SIZE	PACKING SIZE (CM)	CBM	NW (KG)	GW (KG)
160x230	170 length x Ø 19	0,06	8	8,1
200x300	210 length x Ø 22	0,09	13	13,1





MARVEL CARPET

Oriental rugs never cease to inspire us. We love Persian motifs on carpets with a vintage look and a distressed patina. Ours are made super soft to the touch and Marvel here even has a nice coloured fringe along its short sides. You see, it's all in the details... That is why Marvel is available in three different colours and two sizes...!

Machine-woven carpet with fringes
 Pile: 66% rayon, 25% cotton, 9% polyester
 Synthetic rubber backing, anti slip

2 sizes:

- 170x240 cm (WxL)
- 200x300 cm (WxL)

Height: 5,5 mm

ZUIVER-CODE	GTIN-CODE	ITEM NAME		
6000073	8718548030565	CARPET MARVEL 170X240 BUTTER		
6000074	8718548030572	CARPET MARVEL 170X240 NEPTUNE		
6000075	8718548030589	CARPET MARVEL 170X240 MOUSE		
6000076	8718548030596	CARPET MARVEL 200X300 BUTTER		
6000077	8718548030602	CARPET MARVEL 200X300 NEPTUNE		
6000078	8718548030619	CARPET MARVEL 200X300 MOUSE		
PACKING	1 PCS			
SIZE	PACKING SIZE (CM)	CBM	NW (KG)	GW (KG)
170X240	182 length X Ø 13,5	0,026	5,2	5,3
200X300	206 length X Ø 15	0,036	7,9	8



butter

neptune

mouse

Note: This carpet has a soft pile. It can assume darker or lighter shades when it is walked on or vacuum cleaned. Colour variations may also appear when viewing the rug from different angles.



YENGA CARPET

What we see in Carpet Yenga? Oh, boy, that's a lot. Let's give it a go... We see all kinds of shapes: squares, hexagons, diamonds. But the next time we see flowers and different colours from every angle! Yenga just seems to be different every time we look at it. Do you think it's weird that we compare Yenga with a kaleidoscope?!

Yenga is the latest addition to our Zuiver carpet collection. Look at the woven edge on both short sides. First time we've ever added such a refined detail to one of our carpets!

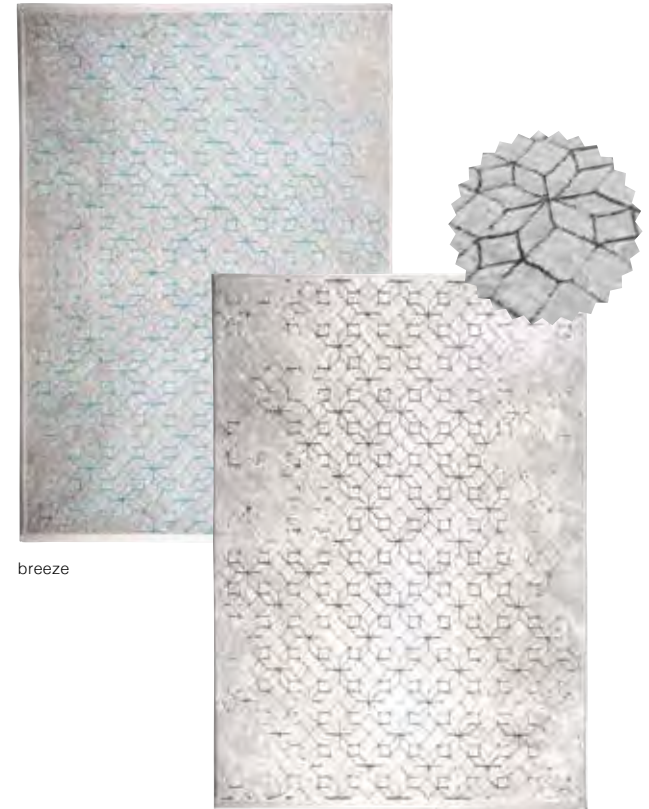
Machine woven carpet

Pile: 60% heat-set polypropylene, 40% polyester

Back finished with jute

Dimensions: 160x230 cm (WxL)

Height: 9,5 mm



breeze

dusk

ZUIVER-CODE	GTIN-CODE	ITEM NAME		
6000081	8718548031692	CARPET YENGA 160X230 BREEZE		
6000082	8718548031708	CARPET YENGA 160X230 DUSK		
PACKING	1 PCS			
SIZE	PACKING SIZE (CM)	CBM	NW (KG)	GW (KG)
160x230	180 length x Ø 20	0,06	9,4	9,7

Note: This carpet has a soft pile. It can assume darker or lighter shades when it is walked on or vacuum cleaned. Colour variations may also appear when viewing the rug from different angles.



MAGIC CARPET

You thought Aladdin had a magic carpet? What about the Zuiver version?! We made our Carpet Magic extra special, because we trained it! This is why we can guarantee you that it will stay in place wherever you put it. Oh yes, we are busy getting the patent on that. In the meantime, Magic is available in several colours and sizes...

Machine woven carpet

Pile: 60% heat-set polypropylene, 40% polyester
Back finished with jute

2 sizes:

- 160x230 cm (WxL)
- 200x290 cm (WxL)

Height: 9,5 mm

ZUIVER-CODE	GTIN-CODE	ITEM NAME		
6000067	8718548030138	CARPET MAGIC 160X230 OCEAN		
6000068	8718548030145	CARPET MAGIC 160X230 SUNRISE		
6000069	8718548030152	CARPET MAGIC 160X230 AUTUMN		
6000070	8718548030169	CARPET MAGIC 200X290 OCEAN		
6000071	8718548030176	CARPET MAGIC 200X290 SUNRISE		
6000072	8718548030183	CARPET MAGIC 200X290 AUTUMN		
PACKING	1 PCS			
SIZE	PACKING SIZE (CM)	CBM	NW (KG)	GW (KG)
160x230	180 length x Ø 20	0,06	9,4	9,7
200x290	220 length x Ø 21	0,076	14,7	15,2



Note: This carpet has a soft pile. It can assume darker or lighter shades when it is walked on or vacuum cleaned. Colour variations may also appear when viewing the rug from different angles.



CARPETS



SALMON CARPET

We at Zuiver have a soft spot for Scandinavian patterns. Patterns like the ones on the famous Norwegian sweaters. We have finally found a way to incorporate them into our interiors: with Carpet Salmon. A nice wool-cotton mix, Soft to the touch and warm to the feet. Such a pretty woven fabric, we just had to use it in a runner and a pillow. Of course they can be bought separately, but imagine how well-balanced your interior will be when your rug and pillow match....!

Hand-woven carpet with black cotton fringes
 80% wool, 20% cotton
 Dimensions: 80x200 cm (WxL)
 Height: 6 mm

ZUIVER-CODE	GTIN-CODE	ITEM NAME		
6000064	8718548024632	CARPET SALMON 80x200		
PACKING	4 PCS/CTN	ORDER QTY: 4 PCS		
QTY	CTN SIZE (CM)	CBM	NW (KG)	GW (KG)
1	61x46x6,35	0,018	1,9	1,93
4	61x46x25,4	0,071	7,6	9,1





FOX CARPET

The most powerful geometric designs are often set in just two colours: black and white. Just like the patterns from a classic Norwegian sweater. Carpet Fox proves the power of black and white patterns once again. Just like your favorite sweater, Fox is made from a nice blend of wool and cotton. With its rectangular shape Carpet Fox is capable to style up any interior!

Hand-woven carpet with black cotton fringes
 80% wool, 20% cotton
 Dimensions: 80x200 cm (WxL)
 Height: 6 mm

ZUIVER-CODE	GTIN-CODE	ITEM NAME		
6000065	8718548024656	CARPET FOX 80x200		
PACKING	4 PCS/CTN	ORDER QTY: 4 PCS		
QTY	CTN SIZE (CM)	CBM	NW (KG)	GW (KG)
1	61x46x5	0,014	2,9	2,93
4	61x46x20	0,056	11,6	13,1





MOOSE CARPET

Carpet Moose is a special carpet. Not only because of the patterns, inspired by the famous Norwegian sweater. No, there are more reasons. Tell us, how many carpets have a brother from-an-other-mother? He is called Pillow Moose. Yup, we did it. We just had to use this comfy wool-cotton mix with its pretty woven pattern in more than one design. Besides, think how well styled your house will look when your throw pillow and carpet match? Smashing!

Hand-woven carpet with black cotton fringes
 50% wool, 30% recycled silk, 20% cotton
 Dimensions: 80x200 cm (WxL)
 Height: 6 mm

ZUIVER-CODE	GTIN-CODE	ITEM NAME		
6000066	8718548024670	CARPET MOOSE 80x200		
PACKING	4 PCS/CTN	ORDER QTY: 4 PCS		
QTY	CTN SIZE (CM)	CBM	NW (KG)	GW (KG)
1	61x46x7,62	0,021	2,7	2,73
4	61x46x30,5	0,085	10,8	12,3





NEPAL CARPET

A carpet with a little nostalgic feel to it. That's what our Zuiver Nepal carpet is to us. A modern way to create a warm interior and feet, with a classic touch. Nepal comes in two different shades and three different sizes, among which a wonderful hall runner!

Machine woven carpet with decorative fringes
 Pile: Heat-set polypropylene Decolan and viscose,
 for a wool-like appearance with a silky shine
 950.000 points/sqm

3 sizes:

- 67x245 cm (WxL)
- 160x235 cm (WxL)
- 200x295 cm (WxL)

Height: 11 mm

ZUIVER-CODE	GTIN-CODE	ITEM NAME		
6000005	8718548019003	CARPET NEPAL 67X245 LIGHT		
6000006	8718548019010	CARPET NEPAL 160X235 LIGHT		
6000007	8718548019027	CARPET NEPAL 200X295 LIGHT		
6000008	8718548019034	CARPET NEPAL 67X245 DARK		
6000009	8718548019041	CARPET NEPAL 160X235 DARK		
6000010	8718548019058	CARPET NEPAL 200X295 DARK		
PACKING	1 PCS			
SIZE	PACKING SIZE (CM)	CBM	NW (KG)	GW (KG)
67x245	82 length x Ø 20	0,02	4,678	4,72
160x235	175 length x Ø 23	0,05	10,72	10,8
200x295	220 length x Ø 25	0,09	16,82	16,86



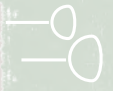
light

dark



LIGHTING





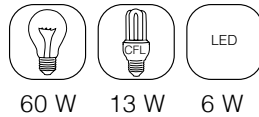
LIGHTING



SHELBY FLOOR LAMP NEW

Yes, our floor lamp Shelby is modest. She may not ask for much attention but is certainly no plain Jane! With its sleek modern features Shelby is the perfect addition to any room, transforming it from bland to grand. Even more good news: Shelby is available in three colours and also as a table lamp!

Textile shade (80% linen, 20% cotton)
 Powder coated iron body and base
 200 cm black textured cable with foot on/off switch
 Light source: E27
 Energy efficiency class: A++ - E (Energylabel 1)



60 W 13 W 6 W

ZUIVER-CODE	GTIN-CODE	ITEM NAME		
5100064	8718548038868	FLOOR LAMP SHELBY WHITE		
5100065	8718548038875	FLOOR LAMP SHELBY GREY		
5100066	8718548038882	FLOOR LAMP SHELBY TAUPE		
PACKING	1 PCS/CTN			
QTY	CTN SIZE (CM)	CBM	NW (KG)	GW (KG)
1	55x55x44	0,133	5,3	8,7





SHELBY TABLE LAMP NEW

Table lamp Shelby is the smaller version of floor lamp Shelby, but I bet you already figured as much. Like its taller sibling, this Shelby isn't loud or in your face, but a subtle stylish addition to your carefully styled interior. Shelby is available in three colours.

Textile shade (80% linen, 20% cotton)

Powder coated iron body and base

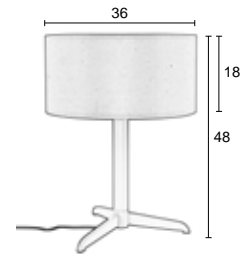
200 cm black textured cable with line on/off switch

Light source: E27

Energy efficiency class: A++ - E (Energylabel 1)



60 W 13 W 6 W



ZUIVER-CODE	GTIN-CODE	ITEM NAME		
5200050	8718548038837	TABLE LAMP SHELBY WHITE		
5200051	8718548038844	TABLE LAMP SHELBY GREY		
5200052	8718548038851	TABLE LAMP SHELBY TAUPE		
PACKING	1 PCS/CTN			
QTY	CTN SIZE (CM)	CBM	NW (KG)	GW (KG)
1	40x40x25	0,04	2,2	3,8



MARLON FLOOR LAMP NEW

Lights out, spot on! It's show time for our new family of lamps: Marlon. This here is the padre de familia. The floor lamp of the series. Standing fierce and tall. Available in a black and galvanized version. The Marlon spots all feature a wooden rear end with a subtle silver button which is possibly the prettiest on/off switch any spot ever had!

Black powder coated iron shade with solid walnut wood cap or galvanised iron shade with black lacquered solid walnut wood cap

Black powder coated or galvanised iron body and base

Touch on/off switch on shade

205 cm black/white textured cable

Light source: GU10

Energy efficiency class: A++ - E (Energylabel 10)

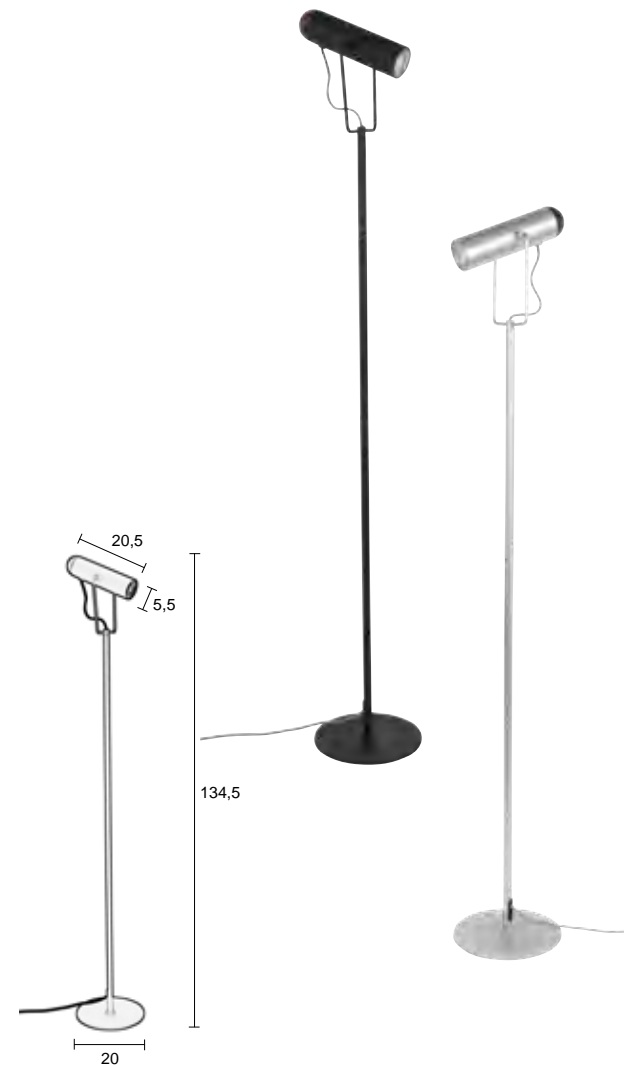


35 W



3 W
(included)

ZUIVER-CODE	GTIN-CODE	ITEM NAME		
5100067	8718548038912	FLOOR LAMP MARLON BLACK		
5100068	8718548038929	FLOOR LAMP MARLON GALVANIZED		
PACKING	1 PCS/CTN			
QTY	CTN SIZE (CM)	CBM	NW (KG)	GW (KG)
1	62x23x8	0,011	2,7	3,4





MARLON TABLE LAMP NEW

Table lamp Marlon is capable of putting a spotlight on dark corners all over the house. With its slim design and its perky little head this handy Marlon is an eye-catcher in any room. Point its beam in the right direction and Marlon will shine its light on your most cherished accessory. Which of your belongings will it be?

Black powder coated iron shade with solid walnut wood cap or galvanised iron shade with black lacquered solid walnut wood cap

Black powder coated or galvanised iron body and base

Touch on/off switch on shade

155 cm black/white textured cable

Light source: GU10

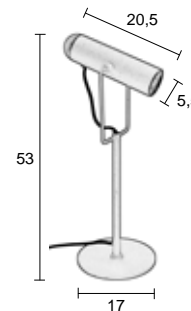
Energy efficiency class: A++ - E (Energylabel 10)



35 W



3 W
(included)



ZUIVER-CODE	GTIN-CODE	ITEM NAME		
5200053	8718548038899	TABLE LAMP MARLON BLACK		
5200054	8718548038905	TABLE LAMP MARLON GALVANIZED		
PACKING	1 PCS/CTN			
QTY	CTN SIZE (CM)	CBM	NW (KG)	GW (KG)
1	62x23x8	0,011	1,9	2,6



LIGHTING



MARLON PENDANT LAMP NEW

Some designs just make our minds overflow with possibilities. Obviously, Marlon is one of those. It is no coincidence that we made four Marlon versions; we just love large lighting families! With this pendant version comes even more inspiration. You can hang it in so many places! In rows above a kitchen counter or above a big table. Hanging solo, shining its magical light on plain artworks instantly giving it MoMa qualities. Oh, the possibilities...

Black powder coated iron shade with solid walnut wood cap or galvanised iron shade with black lacquered solid walnut wood cap

Black powder coated or galvanised iron body and base
130 cm black/white textured cable

Light source: GU10

Energy efficiency class: A++ - E (Energylabel 10)

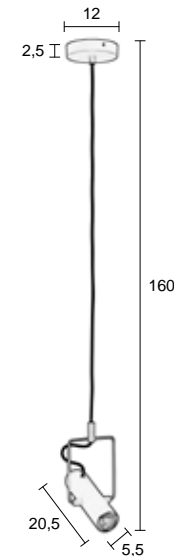


35 W



3 W
(included)

ZUIVER-CODE	GTIN-CODE	ITEM NAME		
5300135	8718548038936	PENDANT LAMP MARLON BLACK		
5300136	8718548038943	PENDANT LAMP MARLON GALVANIZED		
PACKING	1 PCS/CTN, 9 PCS/MASTERCTN			
QTY	CTN SIZE (CM)	CBM	NW (KG)	GW (KG)
1	15x15x33	0,007	0,9	1,2
9	47,5x47,5x35	0,079	8,1	12,3





MARLON WALL LAMP NEW

Wall lamp Marlon is the Benjamin of the family, the little one. But, make no mistake: only in size, not in style. Wall lamp Marlon is able to transform your room into a light-flooded space. The adjustable shade allows you to direct the light right where it is needed. This pretty Marlon comes in two colours, both featuring that pretty family trade: a wooden tip at the back of the shade.

Black powder coated iron shade with solid walnut wood cap or galvanised iron shade with black lacquered solid walnut wood cap

Black powder coated or galvanised iron body and base
Black/white textured cable

Light source: GU10

Energy efficiency class: A++ - E (Energylabel 10)

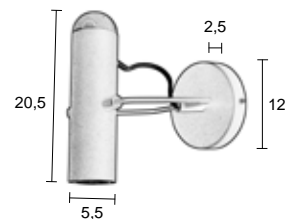


35 W



3 W
(included)

ZUIVER-CODE	GTIN-CODE	ITEM NAME		
5400023	8718548038950	WALL LAMP MARLON BLACK		
5400024	8718548038967	WALL LAMP MARLON GALVANIZED		
PACKING	1 PCS/CTN, 9 PCS/MASTERCTN			
QTY	CTN SIZE (CM)	CBM	NW (KG)	GW (KG)
1	15x15x33	0,007	0,9	1,2
9	47,5x47,5x35	0,079	8,1	12,3



LIGHTING



FINLAY FLOOR LAMP NEW

A pretty velvet look lampshade supported by a sturdy, wooden stem with monumental references to industrial pillars. As you can see, Finlay is not just another floor lamp: it is a modern take on old forms and classic details.

Textile shade with velvet look
 Solid ash wood body and base
 200 cm black textured cable with foot on/off switch
 Light source: E27
 Energy efficiency class: A++ - E (Energylabel 1)



60 W 13 W 6 W



ZUIVER-CODE	GTIN-CODE	ITEM NAME		
5100069	8718548039919	FLOOR LAMP FINLAY WHITE		
5100070	8718548039926	FLOOR LAMP FINLAY BLACK		
PACKING	1 PCS/CTN			
QTY	CTN SIZE (CM)	CBM	NW (KG)	GW (KG)
1	55x51,5x50	0,14	8,2	9,9



ARC FLOOR LAMP

There is definitely something aerodynamic about Arc with its asymmetric shade. This super tall, yet elegant, floor lamp is an eye catcher in even the wildest interiors. She can light your coffee table from above, without dangling from the ceiling. Which would be lame and would require wiring exactly above your table. And you know those wires are seldom where you need them to be!

Asymmetric polyester textile shade
 Colour coated metal body and base
 PVC cable with foot on/off switch
 Dimensions shade: 40/60x25 cm (Ø x H)
 Dimensions base: 40x2,6 cm (Ø x H)
 Light source: E27
 Energy efficiency class: A++ - E (Energylabel 1)



75 W 32 W 22 W

ZUIVER-CODE	GTIN-CODE	ITEM NAME		
5000855	8718548005884	FLOOR LAMP ARC BLACK		
5000856	8718548005891	FLOOR LAMP ARC WHITE		
PACKING	1 PCS/2 CTN			
COMPONENT	CTN SIZE (CM)	CBM	NW (KG)	GW (KG)
SHADE	63x63x30	0,119	0,76	2,6
BODY	52,5x13x142,5	0,097	15,3	18,5

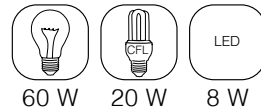




METAL BOW FLOOR LAMP

Warm metal finishes, like copper and brass are hot! So is our Metal Bow. So it made sense to us to bring them together. Hence the Metal Bow Copper and introducing (drumroll...) Metal Bow Brass. Obviously we are very excited about the outcome. Actually, we don't think we need to even explain why. Just look at them! Wow.....

Copper/brass plated metal shade and body
 Marble base with copper/brass plated metal cover
 Black PVC cable with foot on/off switch
 Dimensions shade: 32x20 cm (Ø x H)
 Dimensions base: Ø 39 cm
 Light source: E27
 Energy efficiency class: A++ - E (Energylabel 1)



ZUIVER-CODE	GTIN-CODE	ITEM NAME		
5100022	8718548018143	FLOOR LAMP METAL BOW COPPER		
5100047	8718548025899	FLOOR LAMP METAL BOW BRASS		
PACKING	1 PCS/3 CTN			
COMPONENT	CTN SIZE (CM)	CBM	NW (KG)	GW (KG)
SHADE	36,5x36,5x19	0,025	1,1	1,7
BODY	122x27,5x8,5	0,029	2,3	2,9
BASE	45x45x12	0,024	15,7	16,4





TORCH FLOOR LAMP

The force of uplighters is often underestimated in the world of light fixtures. Let us reveal an interior decorating trick to you: Uplighters brighten up the part of the room that usually doesn't get the spotlight: The ceiling. This gives an immediate feel of space to even the smallest room. And in an ultra hip copper-look, like Torch here, this uplighter will become your super hero.

Iron body, copper plated or white coated with a part of solid oak
 Shade with acrylic plate
 Black PVC cable with foot on/off switch
 Light source: E27
 Energy efficiency class: A++ - E (Energylabel 1)



40 W 15 W 11 W

ZUIVER-CODE	GTIN-CODE	ITEM NAME		
5100023	8718548018662	FLOOR LAMP TORCH WHITE		
5100024	8718548018679	FLOOR LAMP TORCH COPPER		
PACKING	1 PCS/CTN			
QTY	CTN SIZE (CM)	CBM	NW (KG)	GW (KG)
1	64x26x29	0,057	3,6	5



LIGHTING



BUCKLE HEAD FLOOR LAMP

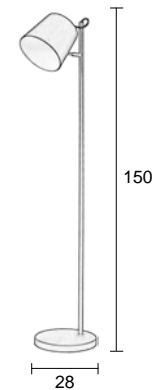
Sometimes the simplest designs are the best. Buckle Head is a modest, simple floor lamp. Compatible with practically every interior style. Buckle Head comes in three colours.

- Tiltable metal shade
- Metal body and base
- Black/white textured finish or copper plated
- Black/white: Black and white textured cable with foot on/off switch
- Copper: black PVC cable with foot on/off switch
- Dimensions shade: 21x18,5 cm (Ø x H)
- Dimensions base: 28x3 cm (Ø x H)
- Light source: E27
- Energy efficiency class: A++ - E (Energylabel 1)



60 W 20 W 8 W

ZUIVER-CODE	GTIN-CODE	ITEM NAME		
5002038	8718548006324	FLOOR LAMP BUCKLE HEAD BLACK		
5002039	8718548006331	FLOOR LAMP BUCKLE HEAD WHITE		
5100048	8718548025905	FLOOR LAMP BUCKLE HEAD COPPER		
PACKING	1 PCS/CTN			
QTY	CTN SIZE (CM)	CBM	NW (KG)	GW (KG)
1	56,5x35x24	0,047	6,7	7,8





TRIPOD WEBBING FLOOR LAMP

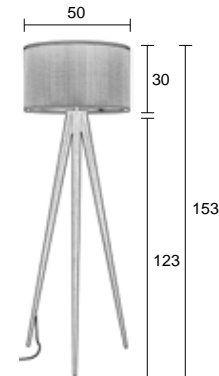
Our Tripod series might be the largest family we have. We just can't resist to make a new Tripod when we detect a new trend. Now it is webbing. Mesh cane webbing, to be specific, is back and it is here to stay! But not like in the old days when wicker weaves were mainly used for the art of 'chair caning'. In other words: Just for seats. We use the cane webbing for a lamp shade and decided tripod legs in walnut veneer would go perfect with it. And it does!

Knockdown cane webbing mesh & plastic shade with velcro
 Dark walnut veneered tripod metal base
 183 cm Black PVC cable with foot on/off switch
 Light source: E27
 Energy efficiency class: A++ - E (Energylabel 1)



75 W 25 W 22 W

ZUIVER-CODE	GTIN-CODE	ITEM NAME		
5100063	8718548036710	FLOOR LAMP TRIPOD WEBBING		
PACKING	1 PCS/CTN			
QTY	CTN SIZE (CM)	CBM	NW (KG)	GW (KG)
1	129x54,5x15,5	0,11	4,15	7,15





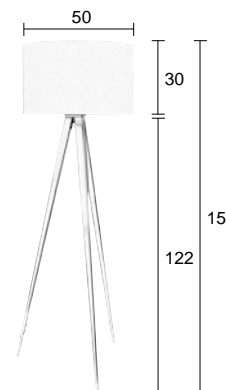
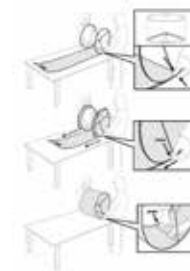
TRIPOD COPPER FLOOR LAMP

Who invented the tripod base for the shaded lamp? Give the man a medal. We love it! But you probably noticed that, because we have designed a series of very elegant tripod floor lamps. And with this newest addition, Tripod Copper, we think we have earned a medal too. We combined the tripod with trendy copper. How brilliant is that? Combine Tripod Copper with a black or a white shade and just let it shine...

Knockdown textile shade with velcro
 Copper plated tripod metal base
 183 cm PVC cable with foot on/off switch
 Light source: E27
 Energy efficiency class: A++ - E (Energylabel 1)



75 W 25 W 22 W



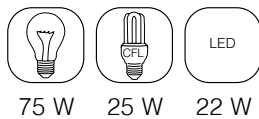
ZUIVER-CODE	GTIN-CODE	ITEM NAME		
5100053	8718548027602	FLOOR LAMP TRIPOD COPPER BLACK		
5100054	8718548027633	FLOOR LAMP TRIPOD COPPER WHITE		
PACKING	1 PCS/CTN			
QTY	CTN SIZE (CM)	CBM	NW (KG)	GW (KG)
1	129,5x53,5x15	0,104	4	7



TRIPOD CORK FLOOR LAMP

We've worked it out: we've had paper shades, veneer shades, wooden shades, brass and other kinds of metal shades... Now we are happy to announce we chose a cork shade for this Tripod floorlamp. Cork is a real treat, made for us by Mother Nature. It has pleasant warm colour variations and is durable.

Knockdown cork shade with velcro
 Colour coated tripod metal base
 PVC cable with foot on/off switch
 Light source: E27
 Energy efficiency class: A++ - E (Energylabel 1)



75 W 25 W 22 W

ZUIVER-CODE	GTIN-CODE	ITEM NAME		
5100049	8718548025943	FLOOR LAMP TRIPOD CORK WHITE		
5100050	8718548025950	FLOOR LAMP TRIPOD CORK BLACK		
PACKING	1 PCS/CTN			
QTY	CTN SIZE (CM)	CBM	NW (KG)	GW (KG)
1	129,5x53,5x15	0,104	3,8	7





TRIPOD WOOD FLOOR LAMP

Elegant and looooong thin legs. But, make no mistake: Tripod Wood is far from fragile. This three legged beauty is a 21st century answer to the good old shaded-lamp. Just pick your colour and light up that dark corner in the room.

Knockdown textile shade with velcro
 Wood veneered tripod metal base
 PVC cable with foot on/off switch
 Light source: E27
 Energy efficiency class: A++ - E (Energylabel 1)



75 W 25 W 22 W

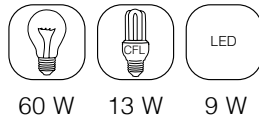
ZUIVER-CODE	GTIN-CODE	ITEM NAME		
5000805	8718548005846	FLOOR LAMP TRIPOD WOOD BLACK		
5000806	8718548005853	FLOOR LAMP TRIPOD WOOD WHITE		
PACKING	1 PCS/CTN			
QTY	CTN SIZE (CM)	CBM	NW (KG)	GW (KG)
1	129,5x53,5x15	0,104	3,9	7,1



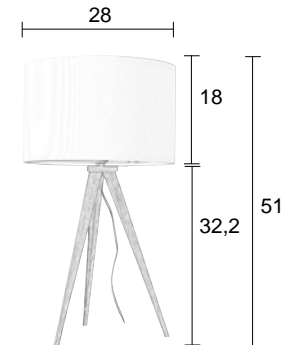
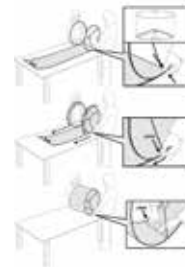


TRIPOD WOOD TABLE LAMP

Knockdown textile shade with velcro
 Wood veneered tripod metal base
 160 cm PVC cable with on/off switch,
 attached to socket of the lamp
 Light source: E27
 Energy efficiency class: A++ - E (Energylabel 1)



60 W 13 W 9 W



ZUIVER-CODE	GTIN-CODE	ITEM NAME		
5200008	8718548017757	TABLE LAMP TRIPOD WOOD BLACK		
5200009	8718548017764	TABLE LAMP TRIPOD WOOD WHITE		
PACKING	4 PCS/CTN	ORDER QTY: 4 PCS		
QTY	CTN SIZE (CM)	CBM	NW (KG)	GW (KG)
1	32x32x18,5	0,02	0,96	1,68
4	66x34x40	0,09	3,6	7,9



TRIPOD FLOOR LAMP

Elegant and looooong, thin legs. But, make no mistake: Tripod is far from fragile. This three legged beauty is the 21st century answer to the good old shaded-lamp. Just pick a colour for your base and shade and light up that dark corner in the room.

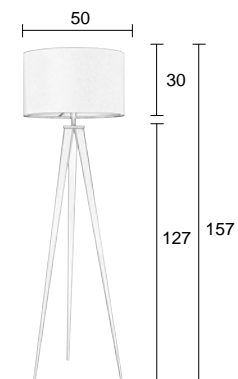
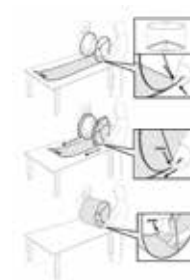
Knockdown textile shade with velcro
 Tripod metal base, lacquered
 PVC cable with foot on/off switch
 Light source: E27
 Energy efficiency class: A++ - E (Energylabel 1)



75 W 25 W 22 W



ZUIVER-CODE	GTIN-CODE	ITEM NAME		
5000800	8718548005792	FLOOR LAMP TRIPOD BLACK/GREY		
5000801	8718548005808	FLOOR LAMP TRIPOD BLACK		
5000802	8718548005815	FLOOR LAMP TRIPOD WHITE		
PACKING	1 PCS/CTN			
QTY	CTN SIZE (CM)	CBM	NW (KG)	GW (KG)
1	129,5x53,5x15	0,104	3,8	6,77

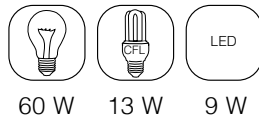




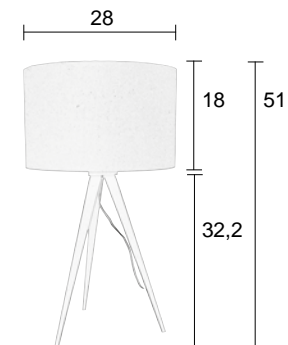
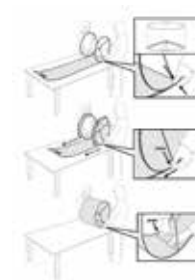
TRIPOD TABLE LAMP

A table lamp with legs so long, you can see them from a mile away. Well ok, that's just a matter of speech. But the fact of the matter is, those legs are exactly high enough to light your table from just the right height. Yep, we've put effort in figuring that out... Needless to say she comes in lots of different versions. Wooden legs? Black? White shade or black? It is up to you.

Knockdown textile shade with velcro
 Tripod metal base, lacquered
 160 cm PVC cable with on/off switch,
 attached to socket of the lamp
 Light source: E27
 Energy efficiency class: A++ - E (Energylabel 1)



ZUIVER-CODE	GTIN-CODE	ITEM NAME		
5200006	8718548017733	TABLE LAMP TRIPOD BLACK		
5200007	8718548017740	TABLE LAMP TRIPOD WHITE		
5200010	8718548019287	TABLE LAMP TRIPOD BLACK/GREY		
PACKING	4 PCS/CTN	ORDER QTY: 4 PCS		
QTY	CTN SIZE (CM)	CBM	NW (KG)	GW (KG)
1	32x32x18,5	0,02	0,96	1,68
4	66x34x40	0,09	3,6	7,9





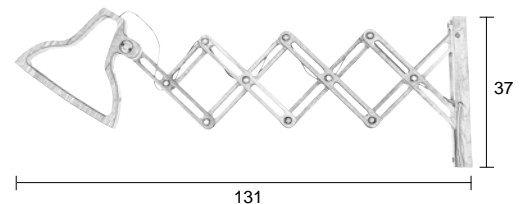
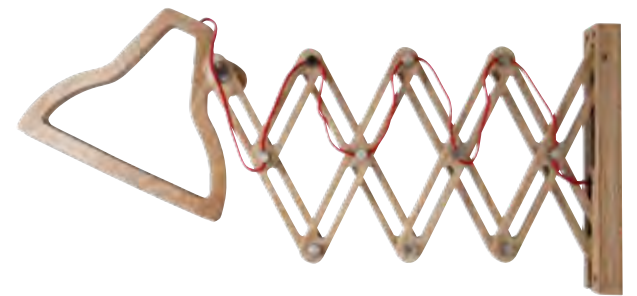
LED-IT-BE WALL LAMP

We are pretty psyched about our LED-it-be lamp, which comes in a floor, table and wall version. It's a hyper modern LED lamp pretending to be an old fashioned lamp. We have noticed designers all over the world are playing with silhouettes and bringing their designs down to just simple outlines. "LED-it be "is our version of that trend. And boy, do we like it!

Solid ashwood, natural lacquered,
 dark grey iron base, red nylon wire
 Cable with on/off switch
 Lightsource: LED, 4200 Kelvin, 400-500 Lumen,
 not replaceable
 Lifetime LED's more than 15.000 hours
 Energy efficiency class: A++ - A (Energylabel 2)

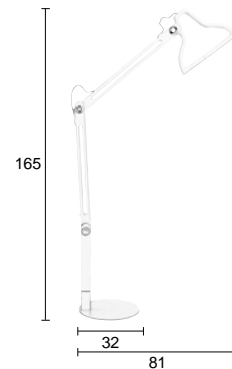
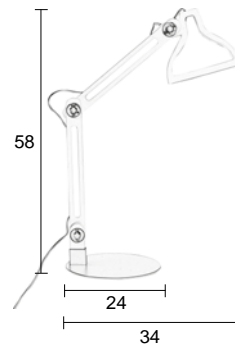


ZUIVER-CODE	GTIN-CODE	ITEM NAME		
5400000	8718548015890	WALL LAMP LED IT BE NATURAL		
PACKING	1 PCS/CTN			
QTY	CTN SIZE (CM)	CBM	NW (KG)	GW (KG)
1	67x46x13	0,04	1,6	3,1





LED-IT-BE TABLE- & FLOOR LAMP



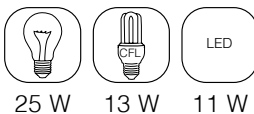
ZUIVER-CODE	GTIN-CODE	ITEM NAME		
5200004	8718548015852	TABLE LAMP LED IT BE NATURAL		
PACKING	1 PCS/CTN			
QTY	CTN SIZE (CM)	CBM	NW (KG)	GW (KG)
1	53x39x15	0,031	2,6	4
ZUIVER-CODE	GTIN-CODE	ITEM NAME		
5100014	8718548015876	FLOOR LAMP LED IT BE NATURAL		
PACKING	1 PCS/CTN			
QTY	CTN SIZE (CM)	CBM	NW (KG)	GW (KG)
1	84,5x45x17	0,065	6,5	8,8



STUDY FLOOR LAMP

Can one feel the urge to become friends with a lamp? We thought not, until we made Study, right here. Just look at the little fella! Who can resist a quick touch, a little pet on it's cute little head? All grown up though, standing on his sturdy wooden stand. Study comes as a floor- and desk lamp and in two colours.

- Powdercoated metal shade & base
- Natural oak body, adjustable in height
- Tiltable shade
- Textured cable with on/off switch
- Light source: E27
- Energy efficiency class: A++ - E (Energylabel 1)

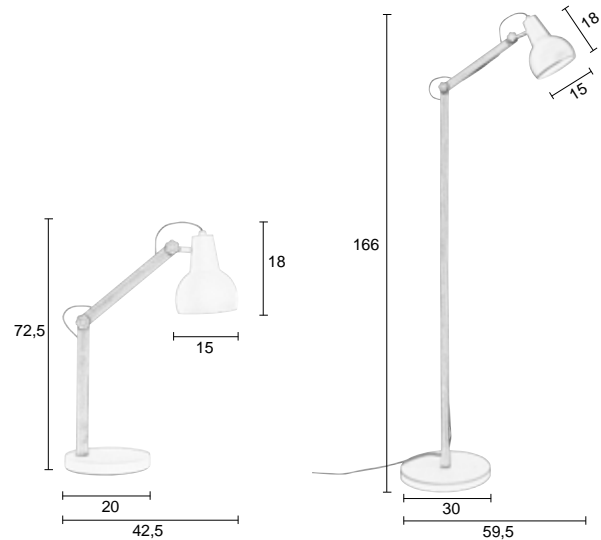


ZUIVER-CODE	GTIN-CODE	ITEM NAME		
5100033	8718548019515	FLOOR LAMP STUDY WHITE		
5100034	8718548019522	FLOOR LAMP STUDY DARK GREY		
PACKING	1 PCS/CTN			
QTY	CTN SIZE (CM)	CBM	NW (KG)	GW (KG)
1	130x35x19	0,086	5,28	7,38





STUDY DESK LAMP



ZUIVER-CODE	GTIN-CODE	ITEM NAME		
5200012	8718548019485	DESK LAMP STUDY WHITE		
5200013	8718548019492	DESK LAMP STUDY DARK GREY		
PACKING	1 PCS/CTN			
QTY	CTN SIZE (CM)	CBM	NW (KG)	GW (KG)
1	25x25x43	0,027	2,7	3,6



LIGHTING



HIGHLAND FLOOR LAMP

Our Highland here is a Dutch design lamp. So Dutch in fact, it even has wooden shoes! Highland's metal tripod frame ends its long, slender legs in a wooden detail. It comes in dark grey and white. Simply to give you a choice.

Knockdown textile shade with velcro
 Tripod metal base, lacquered
 Rubberwood legs
 PVC cable with on/off switch
 Light source: E27
 Energy efficiency class: A++ - E (Energylabel 1)

Floor lamp



75 W 32 W 22 W

Desk lamp



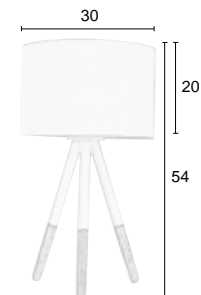
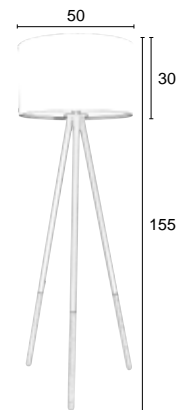
60 W 18 W 15 W



ZUIVER-CODE	GTIN-CODE	ITEM NAME		
5100036	8718548019577	FLOOR LAMP HIGHLAND WHITE		
5100037	8718548019584	FLOOR LAMP HIGHLAND DARK GREY		
PACKING	1 PCS/CTN			
QTY	CTN SIZE (CM)	CBM	NW (KG)	GW (KG)
1	96x53,5x15	0,077	4,2	7,1



HIGHLAND DESK LAMP



ZUIVER-CODE	GTIN-CODE	ITEM NAME		
5200015	8718548019546	DESK LAMP HIGHLAND WHITE		
5200016	8718548019553	DESK LAMP HIGHLAND DARK GREY		
PACKING	4 PCS/CTN	ORDER QTY: 4 PCS		
QTY	CTN SIZE (CM)	CBM	NW (KG)	GW (KG)
1	33x33x20	0,0218	1,32	2
4	35x68x43	0,102	5,3	9,2



LIGHTING



READER FLOOR LAMP

Reader makes all of us a little greedy. Who doesn't want a light fixture like this? And it doesn't help that it comes in two sizes. And to make matters even worse: we keep updating this baby, so it's always in sync with the latest trends. Reader doesn't only come in all time favorite yellow, white and black, but now also available in hip copper! Who can resist this floor and desk lamp with its serene look and feel?

Metal structure, copper plated or coated in matte black, white or yellow

Adjustable in height, tiltable shade

Textured cable with on/off switch

Wire length: 157 (desk), 188 (floor)

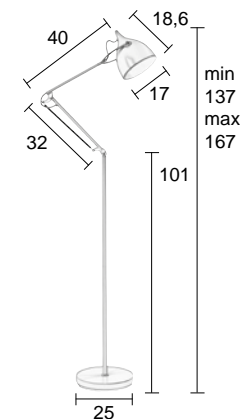
Light source: E27

Energy efficiency class: A++ - E (Energylabel 1)



40 W 22 W 15 W

ZUIVER-CODE	GTIN-CODE	ITEM NAME		
5000951	8718548005976	FLOOR LAMP READER MATT BLACK		
5100001	8718548006850	FLOOR LAMP READER MATT WHITE		
5100002	8718548006867	FLOOR LAMP READER MATT YELLOW		
5100042	8718548022195	FLOOR LAMP READER COPPER		
PACKING	1 PCS/CTN			
QTY	CTN SIZE (CM)	CBM	NW (KG)	GW (KG)
1	43x21x54	0,049	5,45	6,8

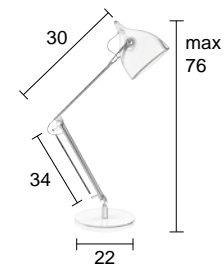




READER DESK LAMP



ZUIVER-CODE	GTIN-CODE	ITEM NAME		
5000950	8718548005969	DESK LAMP READER MATT BLACK		
5200001	8718548006911	DESK LAMP READER MATT WHITE		
5200002	8718548006928	DESK LAMP READER MATT YELLOW		
5200019	8718548022201	DESK LAMP READER COPPER		
PACKING	1 PCS/CTN			
QTY	CTN SIZE (CM)	CBM	NW (KG)	GW (KG)
1	43x21x54	0,049	3,09	4,8



IVY TABLE LAMP

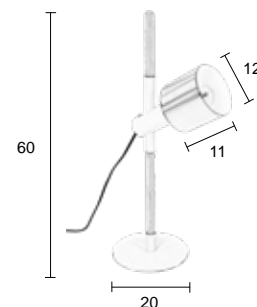
Beware of table lamp Ivy. Before you know it you might end up playing with it for significant amounts of time. You see, Ivy comes with an unexpected extra. You can remove the spot from the wooden stand and turn it upside down! This way you get to choose at which angle Ivy will light up your life. Just roll off the rubber rings (don't lose them!) and start manipulating the light beam! Before you make your pick: there's also a floor lamp available.

Brass coloured & white powder coated iron shade with on/off switch
Adjustable in height and direction
Solid ash wood body and white powder coated iron base
230 cm black&white textured cable
Light source: E27
Energy efficiency class: A++ - E (Energylabel 1)



40 W 13 W 4 W

ZUIVER-CODE	GTIN-CODE	ITEM NAME		
5200035	8718548031968	TABLE LAMP IVY		
PACKING	1 PCS/CTN			
QTY	CTN SIZE (CM)	CBM	NW (KG)	GW (KG)
1	68x25x16	0,027	2,2	3,5





IVY FLOOR LAMP

Beware of floor lamp Ivy! Wanna know why? Because Ivy comes with an unexpected extra. You can remove the spots from the wooden stand and turn them upside down! This way you get to choose at which angle Ivy will light up your life. Just roll off the rubber rings (don't lose them!) and start manipulating those light beams! But first make your pick: floor lamp or table lamp.

Brass coloured & white powder coated iron shades with on/off switch

Adjustable in height and direction

Solid ash wood body and white powder coated iron base 320 cm black & white textured cable

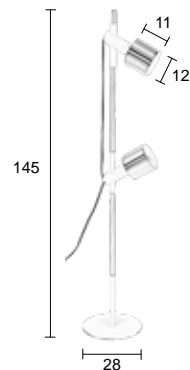
Light source: E27

Energy efficiency class: A++ - E (Energylabel 1)



40 W 13 W 4 W

ZUIVER-CODE	GTIN-CODE	ITEM NAME		
5100057	8718548031975	FLOOR LAMP IVY		
PACKING	1 PCS/CTN			
QTY	CTN SIZE (CM)	CBM	NW (KG)	GW (KG)
1	153x35x16	0,085	4,48	7,5



LIGHTING



NAVIGATOR TABLE LAMP

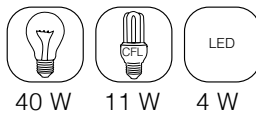


Design: Olaf Weller

You can look once, you can look twice and if you're lucky you'll spot it the third time: the difference between pendant lamp Navigator and table lamp Navigator. It's the handy-dandy light switch in the textile cable and, of course, the plug. That's all. The table and pendant version of Navigator share the exact same tough appearance with that friendly look provided by the laser cut frame.

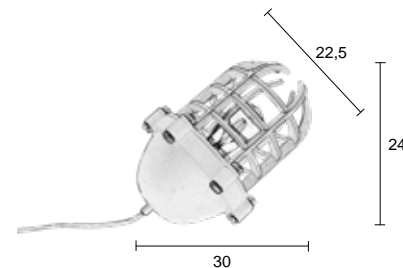
Navigator is designed by Olaf Weller.

- Powder coated cast aluminium base
- Natural MDF structure with painted black sides
- Assembled with nickle plated iron bolts
- 160 cm black textured cable with on/off switch
- Light source: E27
- Energy efficiency class: A++ - E (Energylabel 1)



40 W 11 W 4 W

ZUIVER-CODE	GTIN-CODE	ITEM NAME		
5200031	8718548031760	TABLE LAMP NAVIGATOR BLACK		
5200032	8718548031777	TABLE LAMP NAVIGATOR WHITE		
PACKING	1 PCS/CTN			
QTY	CTN SIZE (CM)	CBM	NW (KG)	GW (KG)
1	28x28x40	0,031	1,75	2,6



NAVIGATOR PENDANT LAMP

Design: Olaf Weller



Yes, keep those industrial lighting fixtures coming! We really, really love them. Look at our Navigator lamp here, designed by Olaf Weller. The prominent bolts and nuts reveal the lamp's construction and strengthen its robust character. You'll probably think the frame is made of iron, but take a second look and you'll see it's laser-cut MDF. That is exactly what we aim for at Zuiver: home products that make heads turn!

Powder coated cast aluminium base of shade
Natural MDF structure with painted black sides
Assembled with nickle plated iron bolts
Black powder coated iron canopy
130 cm black textured cable
Light source: E27
Energy efficiency class: A++ - E (Energylabel 1)



40 W 11 W 4 W

ZUIVER-CODE	GTIN-CODE	ITEM NAME		
5300111	8718548031746	PENDANT LAMP NAVIGATOR BLACK		
5300112	8718548031753	PENDANT LAMP NAVIGATOR WHITE		
PACKING	1 PCS/CTN			
QTY	CTN SIZE (CM)	CBM	NW (KG)	GW (KG)
1	28x28x40	0,031	1,75	2,6



LIGHTING



NAVIGATOR WALL LAMP

Design: Olaf Weller



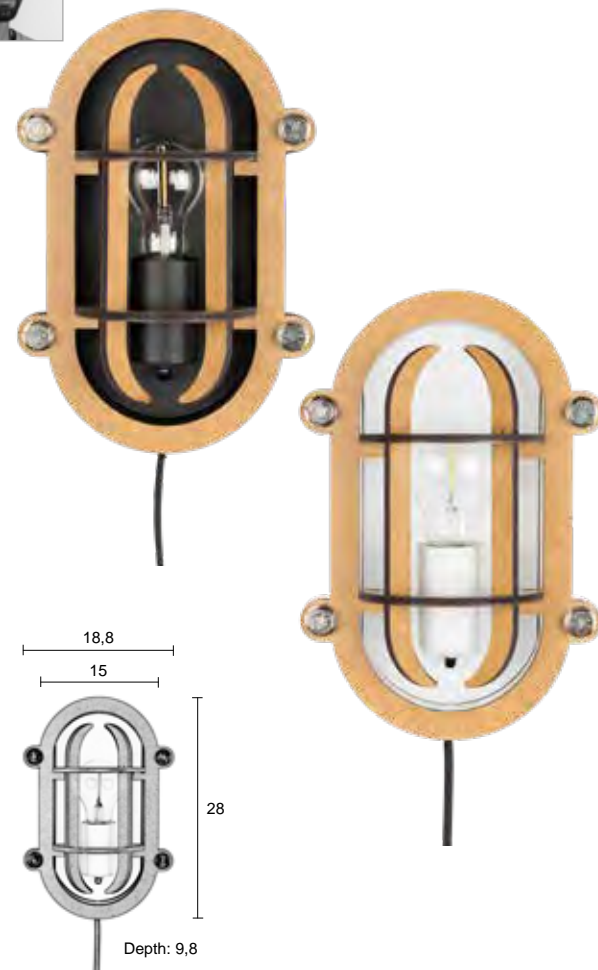
Navigate your way through the house and let Navigator wall lamp guide you during this journey! This new member of the Navigator family, designed by Olaf Weller, is at least as beautiful, industrial and sturdy as his fellow brothers. Don't let yourself be misled by the prominent bolts and nuts and enjoy the lamp's friendly laser-cut frame which spreads the light in a great way. Mount this lamp to the wall and just be satisfied with this great design.

Powder coated cast aluminium edge
 Natural MDF structure with painted sides
 Assembled with nickle plated iron bolts
 200 cm black textured cable with line on/off switch
 Light source: E27
 Energy efficiency class: A++ - E (Energylabel 1)



40 W 11 W 4 W

ZUIVER-CODE	GTIN-CODE	ITEM NAME		
5400011	8718548033085	WALL LAMP NAVIGATOR BLACK		
5400012	8718548033092	WALL LAMP NAVIGATOR WHITE		
PACKING	1 PCS/CTN			
QTY	CTN SIZE (CM)	CBM	NW (KG)	GW (KG)
1	33x23x13	0,01	1,8	2

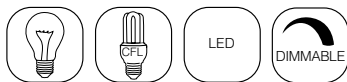




GRINGO PENDANT LAMP

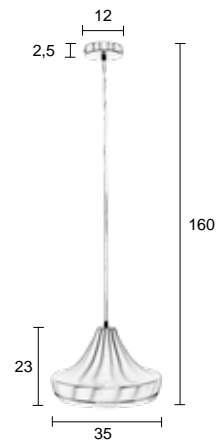
You know what the weird thing is with inspiration? It often comes from weird places. Take pendant lamp Gringo and look at that bottom. What do you see? We found inspiration for it in an industrial salt shaker. Gringo here doesn't spread unhealthy amounts of salt, but very useful and decorative light! He comes in white and brass.

Powder coated or brass plated iron shade with brass plated honeycomb grid
 Black powder coated or brass plated iron canopy
 145 cm black textured cable
 Light source: E27
 Energy efficiency class: A++ - E (Energylabel 1)



40 W 11 W 4 W

ZUIVER-CODE	GTIN-CODE	ITEM NAME		
5300113	8718548031982	PENDANT LAMP GRINGO WHITE		
5300114	8718548031999	PENDANT LAMP GRINGO BRASS		
PACKING	1 PCS/CTN			
QTY	CTN SIZE (CM)	CBM	NW (KG)	GW (KG)
1	38,5x38,5x30,5	0,045	1,9	3





GRINGO FLAT PENDANT LAMP

Our Gringo family has found a complete family tree! At the pendant branch of the Gringo family tree we found Gringo Flat. Although they obviously all share their Zuiver DNA, Gringo Flat shows more of its ancestor's open grid. The result is a fun pattern thrown on the surrounding walls when in use!

White powder coated or brass plated iron swivel shade with brass plated honeycomb grid
 Black powder coated or brass plated iron canopy
 130 cm black textured cable
 Light source: E27
 Energy efficiency class: A++ – E (Energylabel 1)



40 W 11 W 4 W



ZUIVER-CODE	GTIN-CODE	ITEM NAME		
5300119	8718548033108	PENDANT LAMP GRINGO FLAT BRASS		
5300120	8718548033115	PENDANT LAMP GRINGO FLAT WHITE		
PACKING	1 PCS/CTN			
QTY	CTN SIZE (CM)	CBM	NW (KG)	GW (KG)
1	36x27,5x18	0,018	1,4	1,8



GRINGO MULTI PENDANT LAMP

Where all other Gringo lamps are small and humble we might say Gringo Multi is a tad exorbitant. This modern version of a chandelier of course has the same appearance as his fellow pendant lamps but then in an extraordinary way 'cause you get four light fixtures in one. Enjoy the way this pendant lamp shines its light through the hexagon shade and enlightens your living room!

White powder coated or brass plated iron swivel shades with brass plated honeycomb grid
 Black powder coated or brass plated canopy
 130 cm black textured cable & steel wire rope
 Light source: E27
 Energy efficiency class: A++ – E (Energylabel 1)



40 W



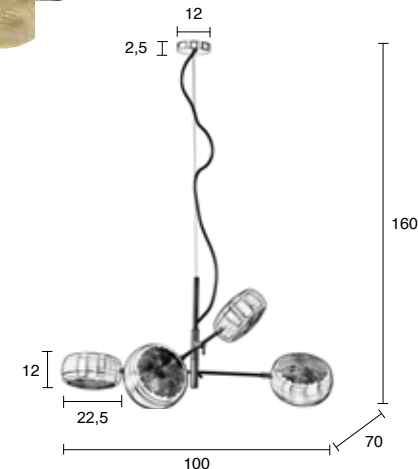
11 W



4 W



DIMMABLE



ZUIVER-CODE	GTIN-CODE	ITEM NAME		
5300121	8718548033122	PENDANT LAMP GRINGO MULTI WHITE		
5300122	8718548033214	PENDANT LAMP GRINGO MULTI BRASS		
PACKING	1 PCS/CTN			
QTY	CTN SIZE (CM)	CBM	NW (KG)	GW (KG)
1	105,5x28,5x28,5	0,086	4,8	7,26

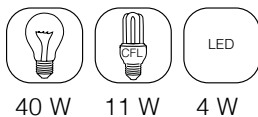


LIGHTING

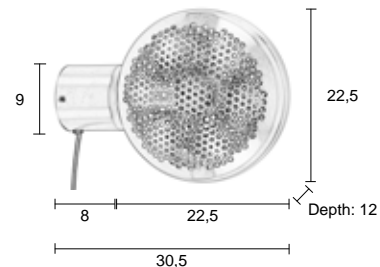
GRINGO WALL LAMP

Just like all its family members, Gringo wall lamp is available with a brass or white coloured grid. That is definitely part of their shared DNA, but this particular Gringo clearly also picked up some other DNA. From a certain station clock. Just look at the way it is mounted to the wall. Just saying...

White powder coated or brass plated iron wall mount & swivel shade with brass plated honeycomb grid
 160 cm black textured cable with line on/off switch
 Light source: E27
 Energy efficiency class: A++ – E (Energylabel 1)



40 W 11 W 4 W



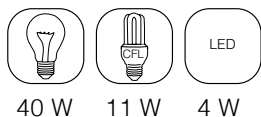
ZUIVER-CODE	GTIN-CODE	ITEM NAME		
5400013	8718548033153	WALL LAMP GRINGO WHITE		
5400014	8718548033160	WALL LAMP GRINGO BRASS		
PACKING	1 PCS/CTN			
QTY	CTN SIZE (CM)	CBM	NW (KG)	GW (KG)
1	36x27,5x18	0,018	1,4	1,9



GRINGO TABLE LAMP

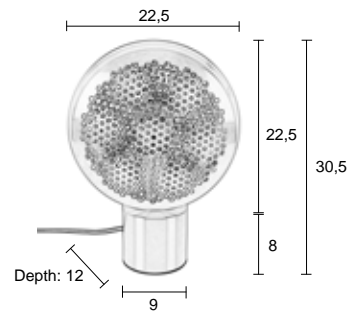
Meet table lamp Gringo. This particular member of the Gringo family can be placed wherever you like! That's because it's a table lamp. Ideal on a cabinet or shelf, usually close to the wall. And then, see what happens at night.... Be surprised what this Gringo does to your wall!

White powder coated or brass plated iron base & swivel shade with brass plated honeycomb grid
 150 cm black textured cable with line on/off switch
 Light source: E27
 Energy efficiency class: A++ – E (Energylabel 1)



40 W 11 W 4 W

ZUIVER-CODE	GTIN-CODE	ITEM NAME		
5200041	8718548033139	TABLE LAMP GRINGO WHITE		
5200042	8718548033146	TABLE LAMP GRINGO BRASS		
PACKING	1 PCS/CTN			
QTY	CTN SIZE (CM)	CBM	NW (KG)	GW (KG)
1	36x27,5x18	0,018	1,6	1,95



LIGHTING



SHADY TABLE LAMP

There is nothing shady about our Shady series. We make no secret about it: These highly stylish and oh, so feminine fixtures are so mid-century modern inspired that they were born a classic. Our Shady series consist of three sisters. A table lamp, a wall lamp and a double wall lamp. Can you make out which one has the most design value, because we think it is impossible to decide...

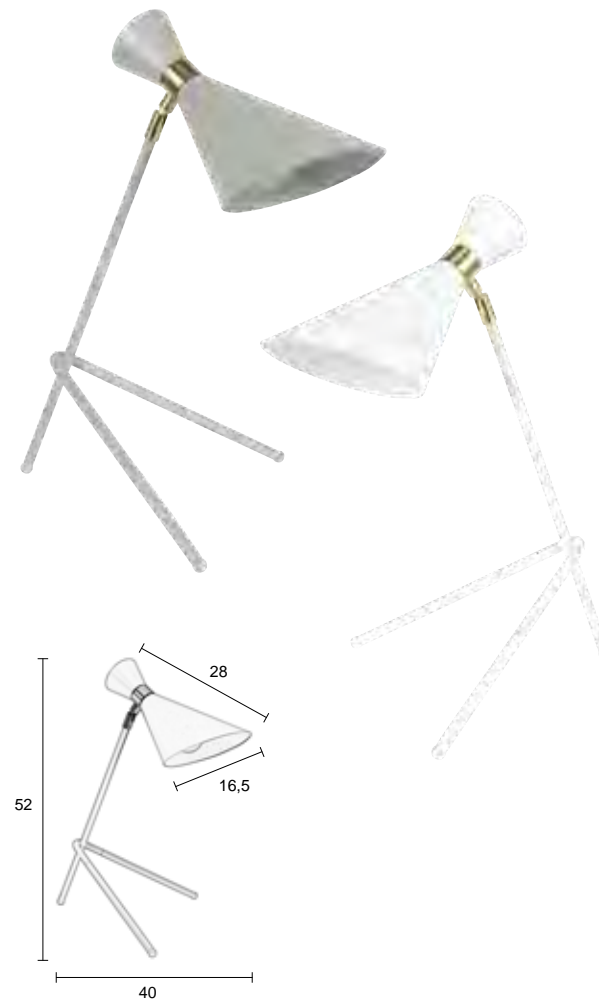
Table lamp Shady is not your grandparents table lamp! This one has way too much spark and other modern features for that. But we did take every nice detail from several fixtures our grandparents used to have. We just mixed it with Zuiver's famous nowadays twist.

White or grey powder coated tiltable iron shade with brass plated details
 190 cm black textured cable with line on/off switch
 Light source: E27
 Energy efficiency class: A++ - E (Energylabel 1)



25 W 13 W 4 W

ZUIVER-CODE	GTIN-CODE	ITEM NAME		
5200046	8718548035959	TABLE LAMP SHADY GREY		
5200047	8718548035966	TABLE LAMP SHADY WHITE		
PACKING	1 PCS/CTN			
QTY	CTN SIZE (CM)	CBM	NW (KG)	GW (KG)
1	34,5x34,5x60	0,071	1,075	3,1

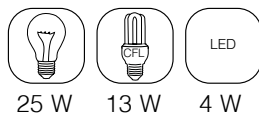




SHADY WALL LAMP

Lamp, o, lamp on the wall. Who is prettiest of all? O, you think you are, Wall lamp Shady? That is not very modest. But o, well can we blame her? No wonder one becomes highly competitive when you're in the middle of two very, very good-looking sisters!

White or grey powder coated tiltable iron shade and aluminium wall mount, with brass plated body and details
 250 cm black textured cable with line on/off switch
 Light source: E27
 Energy efficiency class: A++ - E (Energylabel 1)



25 W 13 W 4 W

ZUIVER-CODE	GTIN-CODE	ITEM NAME		
5400016	8718548036321	WALL LAMP SHADY GREY		
5400017	8718548036338	WALL LAMP SHADY WHITE		
PACKING	1 PCS/CTN			
QTY	CTN SIZE (CM)	CBM	NW (KG)	GW (KG)
1	36x21,5x40,5	0,031	1,28	2,405



LIGHTING



SHADY DOUBLE WALL LAMP

Wall lamp Double is the Siamese twin of the Shady family. That means two of the pretty lampshades and twice the light! Another perk is that the shades can be shifted in opposite directions. So you can make give two highlights in your interior the spotlight.

White or grey powder coated tiltable iron shade and aluminium wall mount, with brass plated body and details

250 cm black textured cable with line on/off switch

Light source: E27

Energy efficiency class: A++ - E (Energylabel 1)

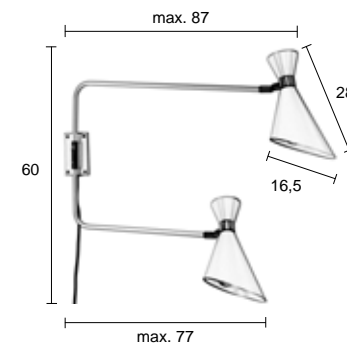


25 W

13 W

4 W

ZUIVER-CODE	GTIN-CODE	ITEM NAME		
5400018	8718548036345	WALL LAMP DOUBLE SHADY GREY		
5400019	8718548036352	WALL LAMP DOUBLE SHADY WHITE		
PACKING	1 PCS/CTN			
QTY	CTN SIZE (CM)	CBM	NW (KG)	GW (KG)
1	63,5x21,5x83	0,113	1,86	5,02





GRID TABLE LAMP

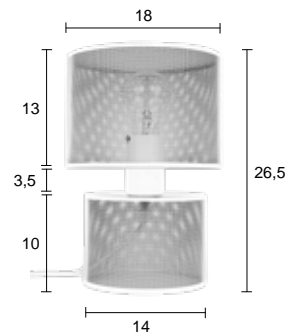
Pierced metal lamps come in many forms, but none are as contemporary as our table lamp Grid. This fun piece provides its own little corner of the house with an alluring play of light. Grid, which comes in different colours, casts points of light and scatters them on its surroundings like gemstones.

White painted iron grid shade on transparent plexiglass (perspex) & iron grid base
 150 cm white textured cable with on/off switch
 Light source: E27
 Energy efficiency class: A++ - E (Energylabel 1)



40 W 13 W 4 W

ZUIVER-CODE	GTIN-CODE	ITEM NAME		
5200033	8718548031944	TABLE LAMP GRID WHITE		
5200034	8718548031951	TABLE LAMP GRID GREY		
PACKING	1 PCS/CTN			
QTY	CTN SIZE (CM)	CBM	NW (KG)	GW (KG)
1	19x19x20,5	0,007	1,1	1,4





PRIME PENDANT LAMP

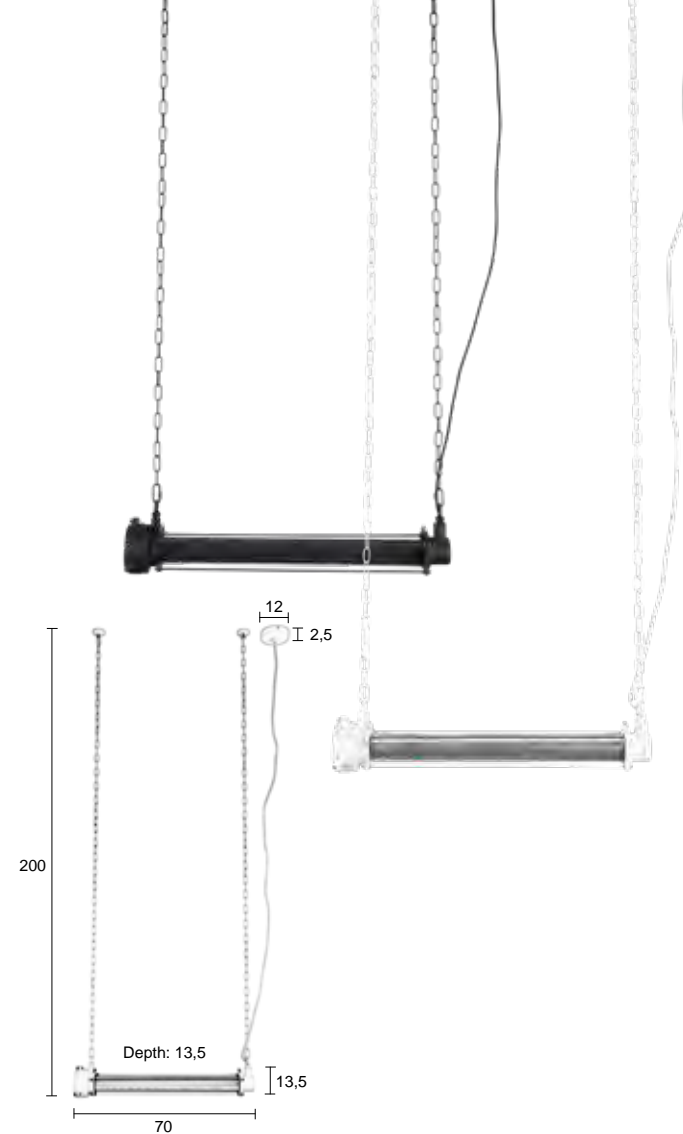
We fell completely and utterly in love with pendant lamp Prime, even before it came into existence. The sketches our design team made were enough to raise our heartbeats. Prime is blessed with an industrial look and a good light flow. Gridded foil inside the tube is responsible for this nice distribution of light. Just choose your size and colour and enjoy your own Prime lamp!

We feel free to bet that a lot of our Zuiver fans do not speak Chinese, so this is what the Chinese characters say: do not open the cover when the light is on! A little warning, just in case...

Matte powder coated iron shade with smoked glass, with perforated metal sheet inside
 Powder coated iron canopy
 180 cm powder coated iron chains
 200 cm textured cable
 Not dimmable
 Energy efficiency: A++ (Energylabel 9)



ZUIVER-CODE	GTIN-CODE	ITEM NAME		
5300123	8718548033177	PENDANT LAMP PRIME BLACK L		
5300124	8718548033184	PENDANT LAMP PRIME WHITE L		
PACKING	1 PCS/CTN			
QTY	CTN SIZE (CM)	CBM	NW (KG)	GW (KG)
1	80x15x20	0,024	2,85	4,3

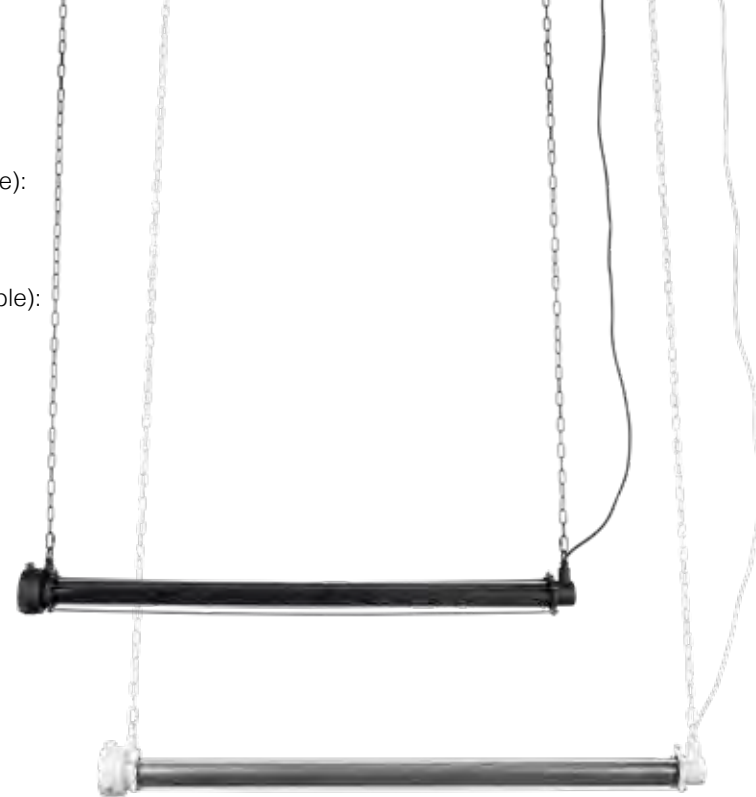
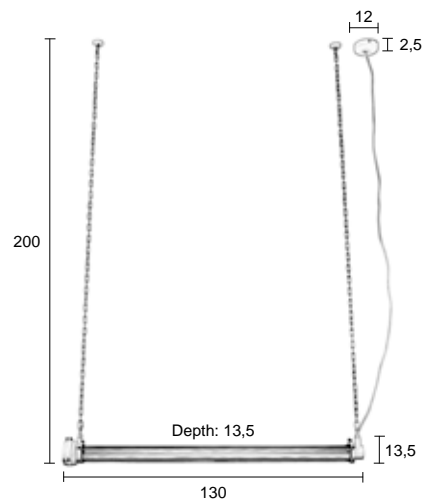




PRIME PENDANT LAMP

Prime L: Light source (included and replaceable):
LED tube T8,9 watt, 900 lumen, 3000 Kelvin,
25.000 life hours

Prime XL: Light source (included and replaceable):
LED tube T8,18 watt, 1600 lumen, 3000 Kelvin,
25.000 life hours



ZUIVER-CODE	GTIN-CODE	ITEM NAME		
5300125	8718548033191	PENDANT LAMP PRIME BLACK XL		
5300126	8718548033207	PENDANT LAMP PRIME WHITE XL		
PACKING	1 PCS/CTN			
QTY	CTN SIZE (CM)	CBM	NW (KG)	GW (KG)
1	140x15x20	0,042	3,8	6



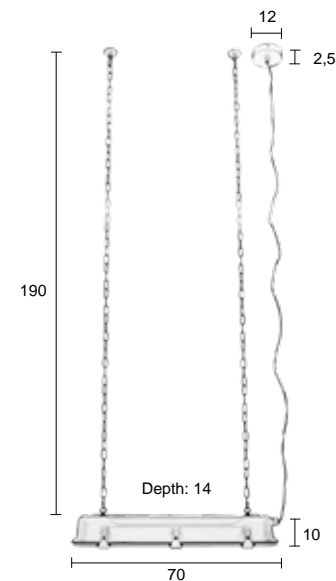
G.T.A. PENDANT LAMP

Isn't this pendant lamp the perfect mix between an industrial piece and a vintage pool table lamp? We gave it an extra Zuiver twist, by adding a wire mesh protection for the glass, which diffuses the light nicely. We like the industrial look of G.T.A. We love the idea of this lamp hanging above one of our tables. Where do you want to hang this industrial beauty?

Matte black powder coated or satin nickel plated iron shade with tempered glass visor and metal grid, with PET foil inbetween (removable for brighter light)
 Black powder coated iron canopy and chains
 200 cm black PVC cable
 Light source (included and replaceable): LED tube T8, 9 watt (L) 750-850 lumen or 18 watt (XL), 1550-1750 lumen, 2700-3200 Kelvin
 Not suitable for dimmers
 Energy efficiency: A++ (Energylabel 9)
 Lifetime LED's more than 25.000 hours

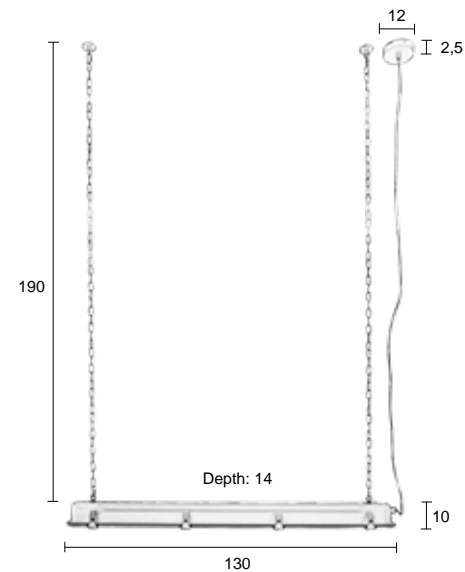


ZUIVER-CODE	GTIN-CODE	ITEM NAME		
5300090	8718548029392	PENDANT LAMP G.T.A. L BLACK		
5300091	8718548029408	PENDANT LAMP G.T.A. L NICKEL		
PACKING	1 PCS/CTN			
QTY	CTN SIZE (CM)	CBM	NW (KG)	GW (KG)
1	78,5x19x22	0,033	3,7	4,85





G.T.A. PENDANT LAMP



ZUIVER-CODE	GTIN-CODE	ITEM NAME		
5300092	8718548029415	PENDANT LAMP G.T.A. XL BLACK		
5300093	8718548029422	PENDANT LAMP G.T.A. XL NICKEL		
PACKING	1 PCS/CTN			
QTY	CTN SIZE (CM)	CBM	NW (KG)	GW (KG)
1	139x19x22	0,058	6,05	7,7

Desk lamp Broker has an impersonator. It's true!
 Desk lamp Broker Concrete impersonates desk lamp Broker Black. Or the other way around. We're not sure to be honest. All we know is, that both have the right to exist. See, the concrete version has a shade made from actual concrete. And it is the un-sanded powder coated finish and chic copper coloured inside of the shade that makes Broker Black stand out.
 So it's up to you to pick a favourite. We couldn't.....



BROKER DESK LAMP

Textured powder coated iron structure
 Tilttable shade in:

- black powder coated iron, copper coloured inside
- all concrete

Textured cable with on/off switch

Wired length: 160 cm

Dimensions shade: 26x15x7,5 cm (WxDxH)

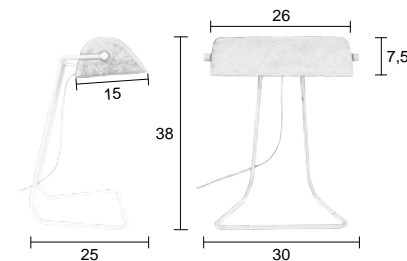
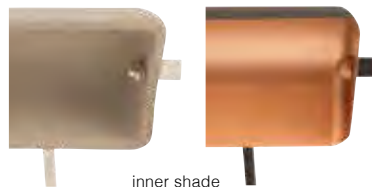
Dimensions base: 30x20,5x35 cm (WxDxH)

Light source: E27

Energy efficiency class: A++ - E (Energylabel 1)



25 W 18 W 5 W



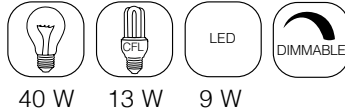
ZUIVER-CODE	GTIN-CODE	ITEM NAME		
5200026	8718548026988	DESK LAMP BROKER BLACK		
5200027	8718548026995	DESK LAMP BROKER CONCRETE		
PACKING	1 PCS/CTN			
QTY	CTN SIZE (CM)	CBM	NW (KG)	GW (KG)
1 BLACK	32x22x42	0,03	1,7	2,62
1 CONCRETE	36x23x44	0,036	2,2	3,04



MOODY TABLE LAMP

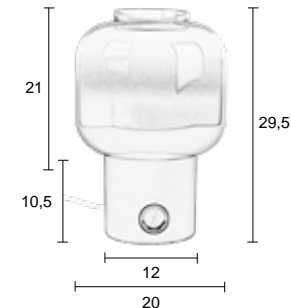
You don't even need electricity to fully enjoy table lamp Moody. This beauty, with its spectacular ombré effect, is just as interesting when turned off. Moody wears its on/off switch like a piece of jewellery. A big gold knob, that is, which can be used to dim the light as well. O, bliss! Moody comes in black and white, to accommodate your everyday style.

Black iron base with brass on/off dimmer switch (Ø 3,5 cm)
 Ombré coloured glass
 160 cm black textured cable
 Light source: E27
 Energy efficiency class: A++ - E (Energylabel 1)



Note: colour of the glass varies depending on the kind of bulb you use
 Note: if you choose to use a CFL- or LED-bulb, make sure it's a dimmable one

ZUIVER-CODE	GTIN-CODE	ITEM NAME		
5200039	8718548032842	TABLE LAMP MOODY BLACK		
5200040	8718548032866	TABLE LAMP MOODY WHITE		
PACKING	2 PCS/CTN	ORDER QTY: 2 PCS		
QTY	CTN SIZE (CM)	CBM	NW (KG)	GW (KG)
1	27x26x42	0,029	1,4	2,2
2	55x28x43	0,066	2,8	5,25





FLEX WALL LAMP

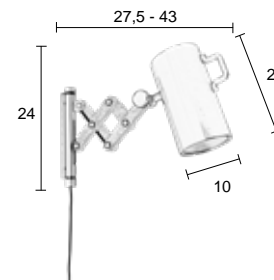
Meet your new favourite wall lamp: Flex. Isn't it a cutie? Our complete Zuiver team loves this cheeky little rascal of a lamp. And that love already started when it only existed on the drawing board! This is the sort of lamp you start to talk to, if you're not careful. You could find yourself saying: 'Hello there Lamy, let's move your little handle to the wall, shall we?' O, boy... Well, be warned: Preferably avoid talking to Flex while someone else is in earshot...

Steel shade and base in matte white or glossy grey
 Tilttable shade with handle and on/off dimmer switch on top, gold coloured inside
 Extendable arm: Solid rubber wood, natural lacquered
 160 cm black & white textured cable
 Light source: G9
 Energy efficiency class: B - E (Energylabel 7)



28 W
 (included)

ZUIVER-CODE	GTIN-CODE	ITEM NAME		
5400005	8718548030664	WALL LAMP FLEX WHITE		
5400006	8718548030671	WALL LAMP FLEX GREY		
PACKING	2 PCS/CTN	ORDER QTY: 2 PCS		
QTY	CTN SIZE (CM)	CBM	NW (KG)	GW (KG)
1	30x14x34	0,014	1,8	2,3
2	36x31,5x31,5	0,036	3,6	5,7



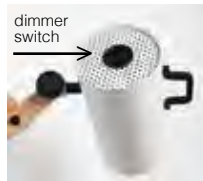


FLEX TABLE LAMP

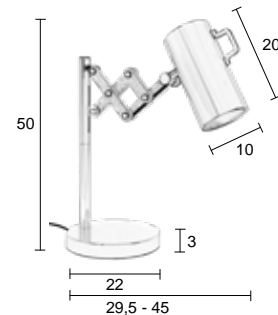
Of course we wanted more of Flex... Who could blame us?! Look at it! Who could resist? Table lamp Flex comes in the same colours as its brother on the wall. And of course, with the same adjustable wooden arm and dimmable light source, again, just like its brother. Who wouldn't want to buy them as a pair? We leave you with that thought...



28 W
(included)



ZUIVER-CODE	GTIN-CODE	ITEM NAME		
5200029	8718548030688	TABLE LAMP FLEX WHITE		
5200030	8718548030695	TABLE LAMP FLEX GREY		
PACKING	2 PCS/CTN	ORDER QTY: 2 PCS		
QTY	CTN SIZE (CM)	CBM	NW (KG)	GW (KG)
1	36x26x51	0,048	5,1	6,3



LIGHTING

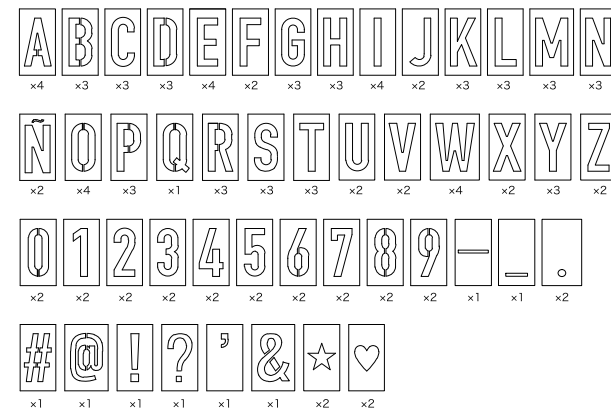


SABER PENDANT LAMP

Don't we all know that person who always finds those perfect vintage decorating icons we ourselves never seem to find? Well, at Zuiver we turned things around. That cinema lightbox with lettering? We made it for you. No need to sand it down, rewire it or find bulb sizes which aren't produced anymore; Our Wall lamp Saber simply works from the very start and uses environmentally friendly LEDs! The only thing left to do, is finding the perfect phrase. What's yours?

Iron light box in oak pattern with frosted plexiglass
 Mixed set of black polypropylene letters & numbers included (111 pieces)
 200 cm black PVC cable
 Lightsource: LED tube T5, 3000 Kelvin, not replaceable. Lifetime LED's more than 25.000 hours.
 Energy efficiency class: A+ (Energylabel 2)

LED
 12 W
 (included)



ZUIVER-CODE	GTIN-CODE	ITEM NAME		
5400004	8718548029439	WALL LAMP SABER		
PACKING	1 PCS/CTN			
QTY	CTN SIZE (CM)	CBM	NW (KG)	GW (KG)
1	139x8x13	0,0145	2,2	3,2

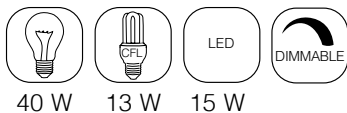




MESH PENDANT LAMP

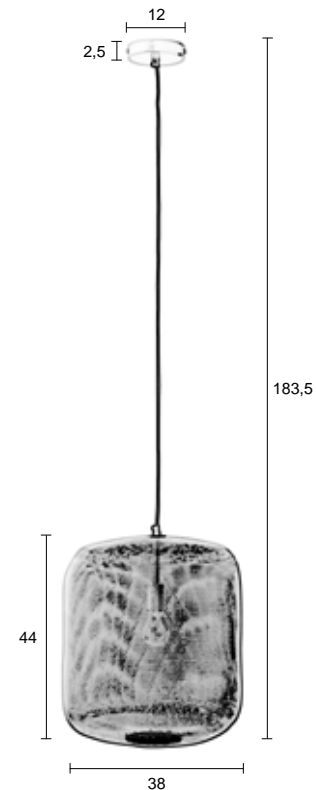
Pendant Lamp Mesh has hidden talents. Turned off the mesh lampshade and copper lamp socket is intriguing in its simplicity, while at night, when turned on lamp Mesh projects a delicate pattern across its surroundings. It is this kind of a surprise that is worthy to a Zuiver product!

Mesh iron shade in matte grey finish
 Copper lamp holder
 Iron canopy , grey powder coated
 140 cm black textured cable
 Light source: E27
 Energy efficiency class: A++ - E (Energylabel 1)



40 W 13 W 15 W

ZUIVER-CODE	GTIN-CODE	ITEM NAME		
5300102	8718548029637	PENDANT LAMP MESH		
PACKING	1 PCS/CTN			
QTY	CTN SIZE (CM)	CBM	NW (KG)	GW (KG)
1	39x39x54	0,082	1,55	3,75





LEFT PENDANT LAMP

Illumination on an industrial level. That's concrete pendant lamp Left. It is designed by Zuiver to find its home in urban, industrial settings. But does just as well in more rustic surroundings. Left is small enough to be used in clusters or as a pair, but big enough to leave an impression! Left comes in a raw concrete colour and in black. Both are blessed with a nice textile cable.

Concrete shade in natural, or black powdercoated
 Black powder coated iron canopy
 130 cm black textured PVC cable
 Light source: E27
 Energy efficiency class: A++ - E (Energylabel 1)



40 W 13 W 6 W

ZUIVER-CODE	GTIN-CODE	ITEM NAME		
5300094	8718548029446	PENDANT LAMP LEFT CONCRETE		
5300095	8718548029453	PENDANT LAMP LEFT BLACK		
PACKING	6 PCS/CTN	ORDER QTY: 6 PCS		
QTY	CTN SIZE (CM)	CBM	NW (KG)	GW (KG)
1	16X16X22,5	0,006	1,1	1,3
6	51X35X24,5	0,044	6,6	8,3





PULP SHADES PENDANT LAMP

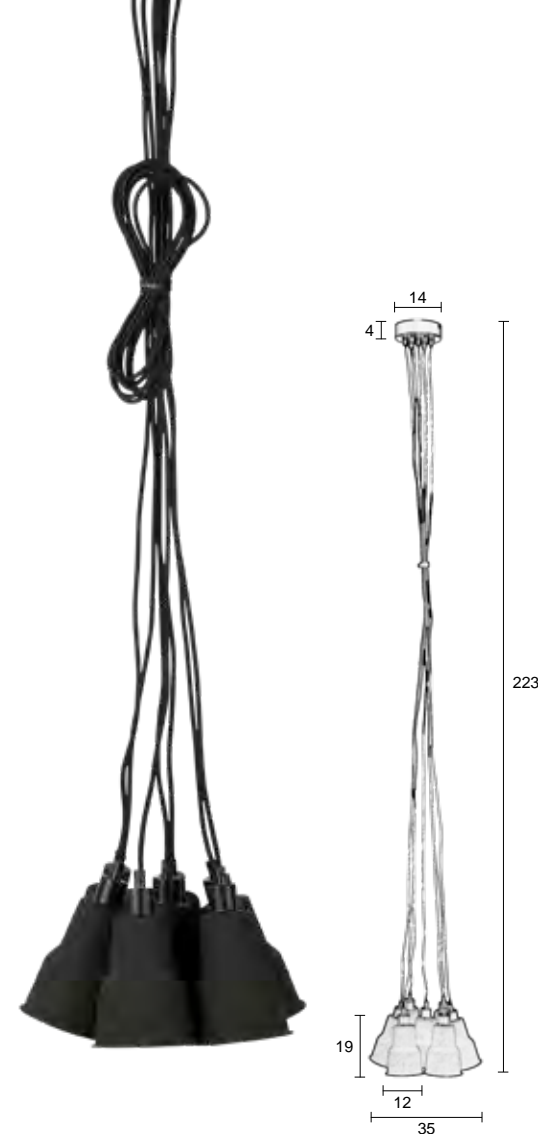
Pendant Lamp Pulp Shades is like a bouquet of flowers. Hoisted together in a fun bunch. And these pretty shades? You'll never guess what they are made from: papier-mâché from recycled paper! We added an extra long textile cable to this bunch so you can artfully tie it together or roll it in a decorative loop with the velcro we provided. O, how we like to surprise you by adding those little extra's!

7 paper pulp shades, black outside, natural inside
 Black powder coated iron canopy
 200 cm black textured PVC cable with Zuiver velcro for adjusting the cable length
 Light source: 7x E14, max. 15 watt regular bulb, max. 3 watt savings, max. 1 watt LED
 Energy efficiency class: A++ - E (Energylabel 1)



15 W 3 W 1 W

ZUIVER-CODE	GTIN-CODE	ITEM NAME		
5300096	8718548029460	PENDANT LAMP PULP SHADES BLACK		
PACKING	1 PCS/CTN			
QTY	CTN SIZE (CM)	CBM	NW (KG)	GW (KG)
1	31x31x16	0,015	1,5	2

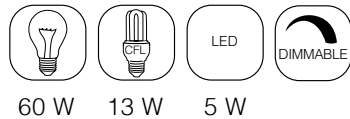




RETRO '70 PENDANT LAMP

If there would be a James Bond light fixture, we like to believe this is the one. Okay, our Retro '70 will not shoot bullets with a push of the button (Q wasn't involved in this design) No, Retro '70 would just casually hang in Bonds' stylish apartment. What do you think, in gold, copper or chrome?

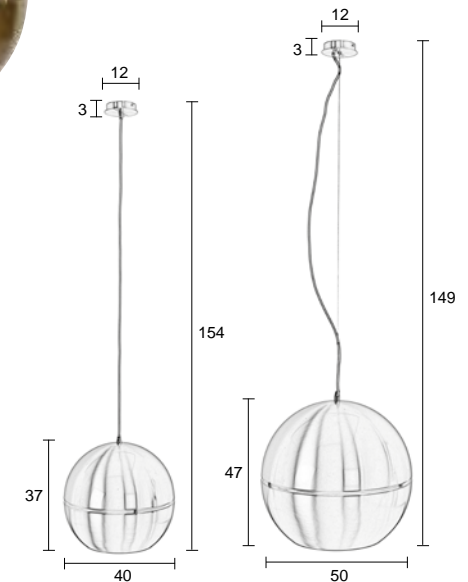
Copper or brass plated metal shade
 Copper or brass plated canopy
 Black textured cable, adjustable in height
 Light source: E27
 Energy efficiency class: A++ - E (Energylabel 1)



60 W 13 W 5 W



ZUIVER-CODE	GTIN-CODE	ITEM NAME		
5002442	8718548006515	PENDANT LAMP RETRO '70 COPPER r40		
5002443	8718548006522	PENDANT LAMP RETRO '70 GOLD r40		
PACKING	1 PCS/CTN			
QTY	CTN SIZE (CM)	CBM	NW (KG)	GW (KG)
1	43x43x43,5	0,080	3	4
ZUIVER-CODE	GTIN-CODE	ITEM NAME		
5300026	8718548012899	PENDANT LAMP RETRO '70 COPPER r50		
PACKING	1 PCS/CTN			
QTY	CTN SIZE (CM)	CBM	NW (KG)	GW (KG)
1	53x53x54,5	0,153	4,8	6,3





RETRO '70 PENDANT LAMP

Chromed metal shade

Chromed canopy (12x3 cm)

Grey textured cable, adjustable in height

Light source: E27

Energy efficiency class: A++ - E (Energylabel 1)



60 W



13 W



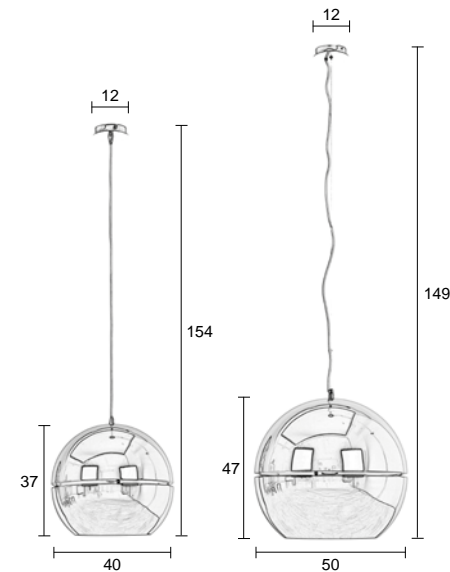
5 W



DIMMABLE



ZUIVER-CODE	GTIN-CODE	ITEM NAME		
5002440	8718548006492	PENDANT LAMP RETRO '70 CHROME r40		
PACKING		1 PCS/CTN		
QTY	CTN SIZE (CM)	CBM	NW (KG)	GW (KG)
1	43x43x43,5	0,080	3	4
ZUIVER-CODE	GTIN-CODE	ITEM NAME		
5002441	8718548006508	PENDANT LAMP RETRO '70 CHROME r50		
PACKING		1 PCS/CTN		
QTY	CTN SIZE (CM)	CBM	NW (KG)	GW (KG)
1	53x53x54,5	0,153	4,8	6,3





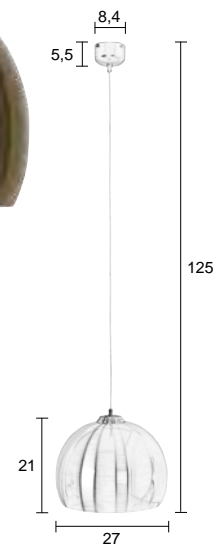
BIG GLOW PENDANT LAMP

This small retro-look pendant lamp will never fail to give your interior that seventies feel, we all like so much nowadays. Pick your favorite, because Big Glow comes in more than one version.

Chromed or brushed copper/brass plated metal shade
 Metal canopy
 100 cm black textured cable
 Light source: E27
 Energy efficiency class: A++ - E (Energylabel 1)



60 W 20 W 8 W



ZUIVER-CODE	GTIN-CODE	ITEM NAME		
5002006	8718548006157	PENDANT LAMP BIG GLOW CHROME		
5300034	8718548015074	PENDANT LAMP BIG GLOW COPPER		
5300081	8718548025868	PENDANT LAMP BIG GLOW BRASS		
PACKING	1 PCS/CTN			
QTY	CTN SIZE (CM)	CBM	NW (KG)	GW (KG)
1	32,5x32x26,5	0,028	1,3	1,8



PLENTY WORK PENDANT LAMP

Plentywork always seems to be in motion. Which it is not, of course. It's the two lengths of pins that make it seem so different from every angle. And if you think Plentywork looks stunning now, wait until it gets dark and see what Plentyworks shadow does to your walls... Wow!

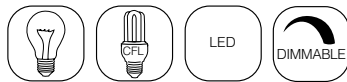
Metal sphere with pins in two lengths and discs in white, brass or copper

Metal canopy

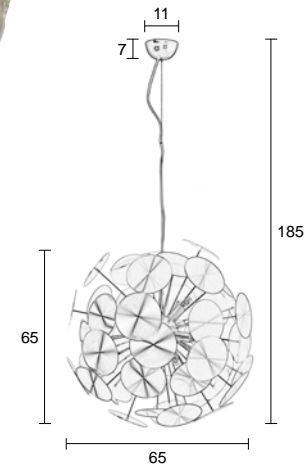
Transparent cable, steel wire

Light source: 6 sockets, E14

Energy efficiency class: A++ - E (Energylabel 1)



40 W 13 W 5 W



ZUIVER-CODE	GTIN-CODE	ITEM NAME		
5002024	8718548006256	PENDANT LAMP PLENTY WORK WHITE		
5300040	8718548018945	PENDANT LAMP PLENTY WORK COPPER		
5300082	8718548025875	PENDANT LAMP PLENTY WORK BRASS		
PACKING	1 PCS/CTN			
QTY	CTN SIZE (CM)	CBM	NW (KG)	GW (KG)
1	39x38,5x22	0,033	7,2	8,8



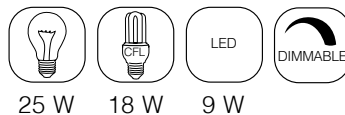
LIGHTING



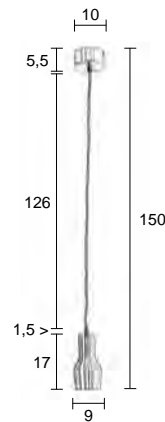
MORA S PENDANT LAMP

The S in Mora S's name doesn't stand for 'Small', but for 'Style'. Just so you know. Although, we will admit she is our smallest pendant lamp. But still, don't let that fool you. She might be modest in size, but she is packed with style!

Metal shade, in black, white, copper or gold plated
 Black or white textured cable
 Metal canopy
 Light source: E27
 Energy efficiency class: A++ - E (Energylabel 1)



25 W 18 W 9 W



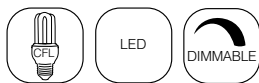
ZUIVER-CODE	GTIN-CODE	ITEM NAME		
5000930	8718548005938	PENDANT LAMP MORA S WHITE		
5000931	8718548005945	PENDANT LAMP MORA S BLACK		
5000932	8718548005952	PENDANT LAMP MORA S COPPER		
5300085	8718548026513	PENDANT LAMP MORA S BRASS		
PACKING	1 PCS/CTN, 8 PCS/MASTERCTN			
QTY	CTN SIZE (CM)	CBM	NW (KG)	GW (KG)
1	11x11x27,5	0,003	0,45	0,56
8	23x23x58	0,031	3,9	4,95



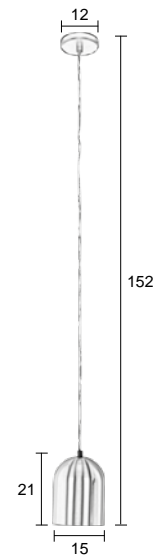
MARVEL PENDANT LAMP

It is marvelling how marvellous a simple copper form can transform into a beautiful little pendant lamp. Hence the name we gave this Zuiver beauty: Marvel. We gave Marvel a specially designed copper coloured inside. As a result, it emits a very nice light creating a warm ambience.

Iron shade, brushed copper plated
 Honeycomb texture inside
 128 cm black textured cable
 Black iron canopy, 12x2 cm (Ø x H)
 Light source: E27
 Do not use regular bulb
 Energy efficiency class: A++ - E (Energylabel 1)



15 W 9 W



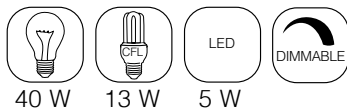
ZUIVER-CODE	GTIN-CODE	ITEM NAME		
5300084	8718548027008	PENDANT LAMP MARVEL COPPER		
PACKING	1 PCS/CTN, 8 PCS/MASTERCTN			
QTY	CTN SIZE (CM)	CBM	NW (KG)	GW (KG)
1	20x20x28	0,01	0,85	1,26
8	42x42x60	0,11	6,8	11,2



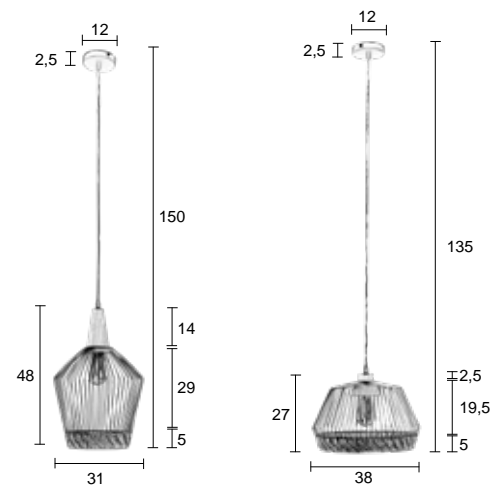
BIRDY PENDANT LAMP

We hear you think 'where is the bird?!'. Well, actually we don't know! We're just as confused as you are, because what bird wouldn't want to live in a stylish bird cage like this? Okay, okay... We're just kidding. Zuiver Birdy is a pendant lamp! The elegant wooden fitting matches perfectly with the braided rattan. Zuiver Birdy comes in two sizes: long and wide. The light shines evenly through the grey wire frame and will illuminate your dining room in a very special way. You could also combine the two versions and hang them next to the sofa or in the hallway. Why not complement Birdy lamp with one of our unique and trendy LED light bulbs?

Iron wire shade in matte grey with braided rattan border
 Solid rubberwood lamp holder
 Black iron canopy
 110 cm black PVC cable
 Light source: E27
 Energy efficiency class: A++ - E (Energylabel 1)



ZUIVER-CODE	GTIN-CODE	ITEM NAME		
5300105	8718548031548	PENDANT LAMP BIRDY LONG		
5300106	8718548031555	PENDANT LAMP BIRDY WIDE		
PACKING	1 PCS/CTN, 6 PCS/MASTERCARTON			
QTY	CTN SIZE (CM)	CBM	NW (KG)	GW (KG)
1 (LONG)	32x32x36,5	0,037	1,16	1,54
1 (WIDE)	38,5x38,5x26,5	0,039	1,29	1,65
6 (LONG)	99,5x34,5x76	0,261	6,96	11,5
6 (WIDE)	82,5x40,5x80	0,267	7,74	12

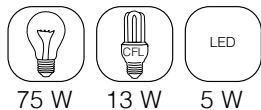




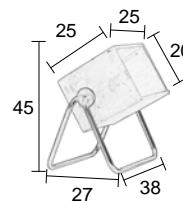
CONCRETE UP FLOOR LAMP

We believe every interior deserves a good uplighter. A light fixture like that has multiple advantages. It'll cast an interesting light bundle on your walls and creates an airy feel in your room, by lighting up the usually darker ceiling. Convinced? Uplight your interior with our Concrete Up. Cast in, yes you guessed it, concrete. For an industrial, modern feel.

Concrete lampshade
 Steel tube base
 Black PVC cable with on/off switch
 Light source: E27
 Energy efficiency class: A++ - E (Energylabel 1)



75 W 13 W 5 W



ZUIVER-CODE	GTIN-CODE	ITEM NAME		
5002901	8718548006669	FLOOR LAMP CONCRETE UP		
PACKING	1 PCS/CTN			
QTY	CTN SIZE (CM)	CBM	NW (KG)	GW (KG)
1	42,5x43x31	0,057	7,5	9,5



LIGHTING

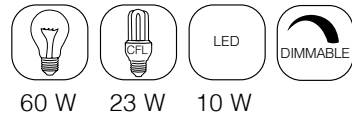


DEK 40 PENDANT LAMP

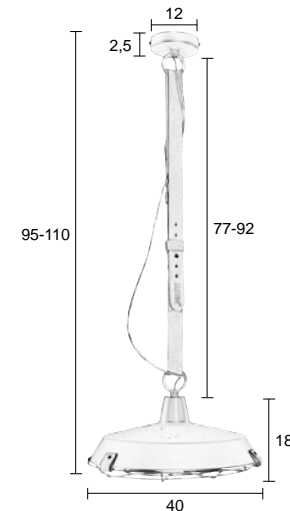
Design: Victor en Kim Mellicovsky

Sometimes a product is so fabulous it doesn't need much of an introduction. Take Pendant Lamp Dek for instance. Look at the fabulous combo of thick leather, brushed metal and the trendy barn lamp shade. What can we say? Dek has it all: Style, function and good looks. Dek is a genuine Dutch design and comes in three colours and two different models.

Metal shade and canopy
 Leather strap & black PVC cable
 Light source: E27
 Energy efficiency class: A++ - E (Energylabel 1)



60 W 23 W 10 W



ZUIVER-CODE	GTIN-CODE	ITEM NAME		
5300062	8718548024212	PENDANT LAMP DEK 40 WHITE		
5300063	8718548024229	PENDANT LAMP DEK 40 GREY		
5300064	8718548024236	PENDANT LAMP DEK 40 ANTHRACITE		
PACKING	1 PCS/CTN			
QTY	CTN SIZE (CM)	CBM	NW (KG)	GW (KG)
1	44x44x34	0,065	2	3,4



DEK 51 PENDANT LAMP

Design: Victor en Kim Mellicovsky

Metal shade and canopy

Leather strap & black PVC cable

Light source: E27

Energy efficiency class: A++ - E (Energylabel 1)



60 W



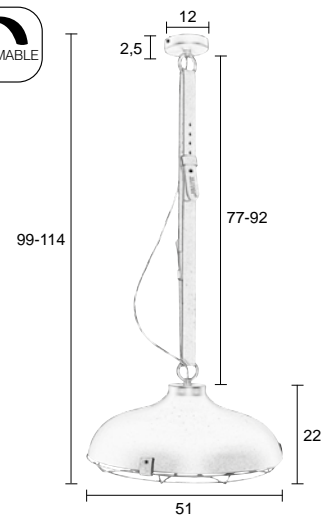
23 W



10 W



DIMMABLE



Designers Victor and Kim in their workshop, working on the special Zuiver edition of the Dek pendant lamp

ZUIVER-CODE	GTIN-CODE	ITEM NAME		
5300065	8718548024243	PENDANT LAMP DEK 51 WHITE		
5300066	8718548024250	PENDANT LAMP DEK 51 GREY		
5300067	8718548024267	PENDANT LAMP DEK 51 ANTHRACITE		
PACKING	1 PCS/CTN			
QTY	CTN SIZE (CM)	CBM	NW (KG)	GW (KG)
1	54x54x36	0,105	3,2	4,6



LIGHTING



CABLE PENDANT LAMP

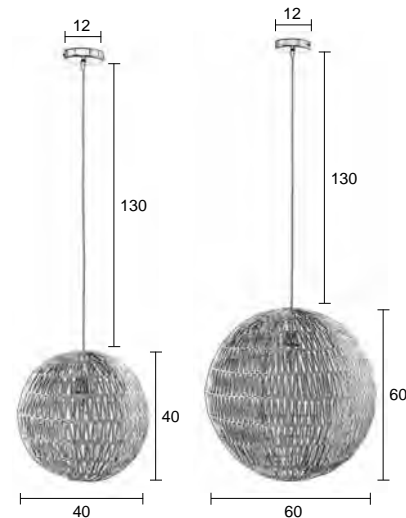
Would you rather like your pendant to be round? Please DO try this at home and enjoy the different pattern this Cable will cast on your walls! It's like instant wallpaper with the flip of the light switch. The funny thing is, the paper is not on the wall but in the lamp, since Cable is made out of wire and twisted paper.

Shade made of iron wire and twisted paper
 Chromed canopy and shade holder
 130 cm white textured cable
 Light source: E27
 Energy efficiency class: A++ - E (Energylabel 1)



60 W 13 W 6 W

ZUIVER-CODE	GTIN-CODE	ITEM NAME		
5002805	8718548006645	PENDANT LAMP CABLE 40 WHITE		
PACKING	1 PCS/CTN			
QTY	CTN SIZE (CM)	CBM	NW (KG)	GW (KG)
1	43x43x43	0,080	1,2	1,9
ZUIVER-CODE	GTIN-CODE	ITEM NAME		
5002806	8718548006652	PENDANT LAMP CABLE 60 WHITE		
PACKING	1 PCS/CTN			
QTY	CTN SIZE (CM)	CBM	NW (KG)	GW (KG)
1	63x63x63	0,250	1,6	3,2

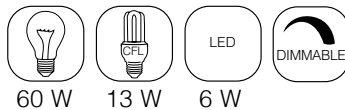




CABLE DROP PENDANT LAMP

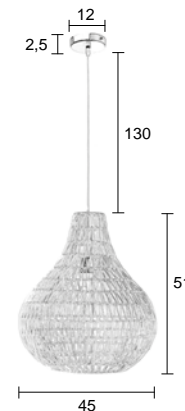
Drop dead gorgeous. Is that where Cable Drop's name comes from? Nope. But it should be! This pendant will not only enchant your guests, but your walls as well! Wait until you see the patterns Cable Drop will cast on your walls! It's like instant wallpaper with the flip of the light switch. Góóóorgeous!!!

Shade made of iron wire and twisted paper
 Chromed canopy
 130 cm textured cable
 Light source: E27
 Energy efficiency class: A++ - E (Energylabel 1)



60 W 13 W 6 W

ZUIVER-CODE	GTIN-CODE	ITEM NAME		
5002803	8718548006621	PENDANT LAMP CABLE DROP WHITE		
5002804	8718548006638	PENDANT LAMP CABLE DROP BLACK		
PACKING	1 PCS/CTN			
QTY	CTN SIZE (CM)	CBM	NW (KG)	GW (KG)
1	47x47x55	0,121	1,5	2,6





Ok, here is a secret decorating tip for you. Go through your entire house and replace every boring ceiling lamp with one of our Dice ceiling spotlights.

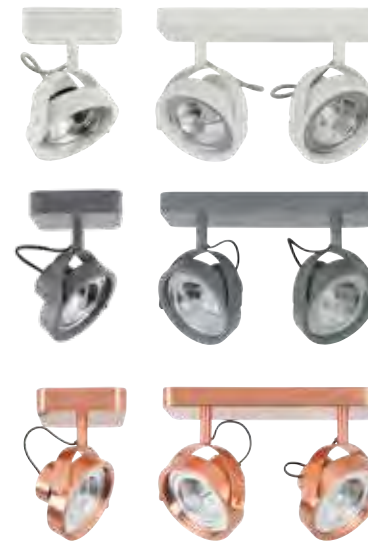
The white Dice won't ask a lot of attention during the day. But at night! You'll be amazed what the light will do to your interior. What a difference this adjustable warm light bundle(s) will make. Do you want to spice things up during the day? In that case, Dice Copper or Galvanised should be your pick. Dazzling day and night! And so trendy!

DICE-LED SPOT LIGHT

Dimmable ceiling or wall spotlight
 White lacquered, copper plated or galvanised
 Aluminium shade, 13,3 x 12 cm (Ø x D)
 Adjustable in all directions
 Steel base
 Dimensions base (WxDxH):
 Dice-1 12x12x3 cm
 Dice-2 28x12x2,5 cm
 Total height: 19,5 cm
 Light source: 2700 Kelvin, 650 Lumen
 (1 or 2 x) Gallop transformer LCZT60Z
 Energy efficiency class: A+ - A (Energylabel 8)



12 W
 AR111 LED (included)



Note: only certain 'trailing edge' dimmers are suitable for this lamp. We recommend and have tested the following types: Jung 1224LEDUDE & Niko 310-02800

ZUIVER-CODE	GTIN-CODE	ITEM NAME		
5500008	8718548028968	SPOT LIGHT DICE-1 LED WHITE		
5500010	8718548029002	SPOT LIGHT DICE-1 LED COPPER		
5500012	8718548029040	SPOT LIGHT DICE-1 LED GALVANISED		
PACKING	1 PCS/CTN, 12 PCS/MASTERCTN			
QTY	CTN SIZE (CM)	CBM	NW (KG)	GW (KG)
1	13,5x13,5x21,5	0,004	0,8	0,98
12	42,5x28,5x45,5	0,055	9,6	12,44

ZUIVER-CODE	GTIN-CODE	ITEM NAME		
5500009	8718548028982	SPOT LIGHT DICE-2 LED WHITE		
5500011	8718548029026	SPOT LIGHT DICE-2 LED COPPER		
5500013	8718548029064	SPOT LIGHT DICE-2 LED GALVANISED		
PACKING	1 PCS/CTN, 6 PCS/MASTERCTN			
QTY	CTN SIZE (CM)	CBM	NW (KG)	GW (KG)
1	29,5x13,5x21	0,008	1,48	1,76
6	42,5x31x44,5	0,06	8,88	11,5



LUCI-LED SPOT LIGHT

Ok, here's a secret decorating tip for you. Go through your entire house and replace every boring, old ceiling lamp out there with one of our Luci ceiling spotlights. You'll be amazed what the light will do for your interior at night. What a difference this adjustable warm light bundle(s) will make. It's like a complete make-over!

Dimmable aluminium ceiling or wall spotlight

Aluminium, white or black powder coated

Shade: 10x6,5 cm (Ø x D)

Adjustable in all directions

Dimensions base (WxDxH):

Luci-1 11,5x11,5x3 cm

Luci-2 23x11,5x3 cm

Total height: 12,8 cm

Light source: 3000 Kelvin, 320 Lumen

Energy efficiency class: A+ - A (Energylabel 3)



5 W

GU10 LED (included)

ZUIVER-CODE	GTIN-CODE	ITEM NAME		
5500607	8718548020344	SPOT LIGHT LUCI-1 LED ALU		
5500608	8718548020351	SPOT LIGHT LUCI-1 LED WHITE		
5500609	8718548020368	SPOT LIGHT LUCI-1 LED BLACK		
PACKING	1 PCS/CTN, 16 PCS/MASTERCTN			
QTY	CTN SIZE (CM)	CBM	NW (KG)	GW (KG)
1	12,5x12,5x14	0,002	0,78	0,86
16	52,5x27x30	0,04	12,5	14,6



Note: only certain 'leading edge' dimmers are suitable for this lamp. We recommend and have tested the following type: Jung 1224LEDUDE

ZUIVER-CODE	GTIN-CODE	ITEM NAME		
5500610	8718548020375	SPOT LIGHT LUCI-2 LED ALU		
5500611	8718548020382	SPOT LIGHT LUCI-2 LED WHITE		
5500612	8718548020399	SPOT LIGHT LUCI-2 LED BLACK		
PACKING	1 PCS/CTN, 8 PCS/MASTERCTN			
QTY	CTN SIZE (CM)	CBM	NW (KG)	GW (KG)
1	24x12,5x14	0,004	1,38	1,5
8	50x27x30	0,04	11	13,5



LIGHTING



WOOD TABLE LAMP

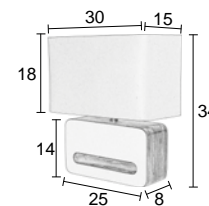
The perfect table lamp for a luxurious home. Place your Wood, somewhat regardless, on a cabinet and stand back. Now you can see how its wooden base, partly covered in glossy lacquer, and big shade will push-up your interior.

Textile shade
 Laminated wooden base,
 with glossy lacquer finish on back and front
 PVC cable with on/off switch,
 attached to socket of the lamp
 Light source: E27
 Energy efficiency class: A++ - E (Energylabel 1)



60 W 25 W 15 W

ZUIVER-CODE	GTIN-CODE	ITEM NAME		
5000803	8718548005822	TABLE LAMP WOOD WHITE		
5000804	8718548005839	TABLE LAMP WOOD BLACK		
PACKING	1 PCS/CTN			
QTY	CTN SIZE (CM)	CBM	NW (KG)	GW (KG)
1	34,5x20x30	0,021	2,08	2,6





BOLCH TABLE LAMP

Bolch is what you need when you want to show off our fabulous vintage-yet-high-tech bulbs. You can use Bolch all over the house. On your bedside table, your desk, on a bookshelf, on a cabinet... Heck, on every single surface in the house if you want! Just pick your style: copper, concrete or marble (black or white). And... You know you want to!

Cube in copper plated iron, concrete or marble with copper lamp holder
 180 cm black textured cable with on/off switch
 Dimensions: 8,5x8,5x8,5 cm (WxDxH)
 Light source: E27
 Energy efficiency class: A++ - E (Energylabel 1)



40 W 13 W 4 W

ZUIVER-CODE	GTIN-CODE	ITEM NAME		
5200021	8718548026278	TABLE LAMP BOLCH COPPER		
5200022	8718548026285	TABLE LAMP BOLCH CONCRETE		
5200023	8718548026292	TABLE LAMP BOLCH MARBLE BLACK		
5200024	8718548026308	TABLE LAMP BOLCH MARBLE WHITE		
PACKING	6 PCS/CTN	ORDER QTY: 6 PCS		
QTY	CTN SIZE (CM)	CBM	NW (KG)	GW (KG)
1 copper	11,5x11,5x14,5	0,002	0,4	0,6
6 copper	37x25,5x14,5	0,014	2,4	3,8
1 concrete	12x12x14	0,002	0,6	0,8
6 concrete	39x26x16	0,016	3,6	5,1
1 marble	15x15x20	0,004	1,6	2,3
6 marble	47,5x32,5x22	0,034	9,6	14,2



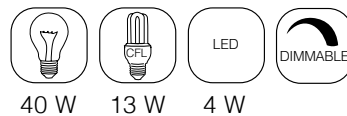
LIGHTING



TRUST PENDANT LAMP

Imagine a bulb fitting made entirely out of marble. Yes....we did it! Trust is the first heavy weight pendant lamp out there. And pretty! The perfect companion for our Zuiver bulbs, only the Zuiver bulbs are worthy enough to complete pendant lamp Trust.

Marble light fixture with copper lamp holder
 Black powder coated iron canopy, 10x2,5 (Ø x H)
 140 cm twisted black textile cable
 Light source: E27
 Energy efficiency class: A++ - E (Energylabel 1)



40 W 13 W 4 W

ZUIVER-CODE	GTIN-CODE	ITEM NAME		
5300088	8718548026339	PENDANT LAMP TRUST MARBLE BLACK		
5300089	8718548026346	PENDANT LAMP TRUST MARBLE WHITE		
PACKING	6 PCS/CTN	ORDER QTY: 6 PCS		
QTY	CTN SIZE (CM)	CBM	NW (KG)	GW (KG)
1	16,5x16,5x23	0,006	2,17	2,5
6	52x35,5x25	0,046	13	16





MACH PENDANT LAMP

Ok it is blatantly obvious. Our design light bulbs can't shine by themselves. Therefore we introduce pendant lamp Mach. It comes in copper or concrete. Both can be considered to be the icing on the cake when it comes to our LED bulb series.

Copper plated iron or concrete light fixture with copper lamp holder
 Copper plated or black powder coated iron canopy
 140 cm twisted black textile cable
 Light source: E27
 Energy efficiency class: A++ - E (Energylabel 1)



40 W 13 W 4 W

ZUIVER-CODE	GTIN-CODE	ITEM NAME		
5300086	8718548026315	PENDANT LAMP MACH COPPER		
5300087	8718548026322	PENDANT LAMP MACH CONCRETE		
PACKING	6 PCS/CTN	ORDER QTY: 6 PCS		
QTY	CTN SIZE (CM)	CBM	NW (KG)	GW (KG)
1 copper	13,5x13,5x13	0,002	0,29	0,55
6 copper	43x29x15	0,019	1,75	3,6
1 concrete	12x12x14	0,002	0,5	0,7
6 concrete	39x26x16	0,016	3	4,5





CLASSIC LED BULB



LED with the look of a vintage incandescent bulb!
Does it get any better?

Classic shaped clear glass bulb
E27, 1 watt LED, 73,67 lumen, 2700 Kelvin
Not suitable for dimmer
Dimensions 59x108 mm (Ø x H)
Energy efficiency class: A++ (Energylabel 4)

ZUIVER-CODE	GTIN-CODE	ITEM NAME		
5600001	8718548026216	BULB CLASSIC LED		
PACKING	12 PCS/CTN	ORDER QTY: 12 PCS		
QTY	CTN SIZE (CM)	CBM	NW (KG)	GW (KG)
1	6,3x6,3x13	0,0005	0,032	0,057
12	27x20,5x15	0,0083	0,384	0,9

DROP LED BULB



Like the ones your grandparents used to use, only
ultra modern now!

Drop shaped clear glass bulb
E27, 2 watt LED, 144 lumen, 2700 Kelvin
Not suitable for dimmer
Dimensions 64x142 mm (Ø x H)
Energy efficiency class: A+ (Energylabel 5)

ZUIVER-CODE	GTIN-CODE	ITEM NAME		
5600002	8718548026223	BULB DROP LED		
PACKING	12 PCS/CTN	ORDER QTY: 12 PCS		
QTY	CTN SIZE (CM)	CBM	NW (KG)	GW (KG)
1	6,8x6,8x14,5	0,0007	0,05	0,07
12	29,2x22x16,5	0,0106	0,6	1

TUBE LED BULB



Like all its Zuiver Bulb siblings, Bulb Tube LED was meant to stay in sight!

Tube shaped clear glass bulb
E27, 2 watt LED, 138 lumen, 2700 Kelvin
Not suitable for dimmer
Dimensions 30x185 mm (Ø x H)
Energy efficiency class: A+ (Energylabel 5)

ZUIVER-CODE	GTIN-CODE	ITEM NAME			
5600003	8718548026230	BULB TUBE LED			
PACKING	12 PCS/CTN	ORDER QTY: 12 PCS			
QTY	CTN SIZE (CM)	CBM	NW (KG)	GW (KG)	
1	3,3x3,3x19	0,0002	0,052	0,075	
12	15,5x11,5x21	0,0037	0,63	1,2	

MIRROR LED BULB



O, how we missed the good old half chrome bulb. Look at our huge one! We made it bigger and better using modern LED technique!

Globe shaped clear & mirror glass bulb
E27, 4 watt LED, 289 lumen, 2700 Kelvin
Not suitable for dimmer
Dimensions 95x140 mm (Ø x H)
Energy efficiency class: A+ (Energylabel 6)

ZUIVER-CODE	GTIN-CODE	ITEM NAME			
5600004	8718548026247	BULB MIRROR LED			
PACKING	12 PCS/CTN	ORDER QTY: 12 PCS			
QTY	CTN SIZE (CM)	CBM	NW (KG)	GW (KG)	
1	10x10x14,5	0,00145	0,055	0,095	
12	42x32x17	0,0228	0,65	1,5	

GLOBE LED BULB



A great bulb can never be too big! For an extra effect we inserted several filament-looking LED's.

Globe shaped clear glass bulb
E27, 2 watt LED, 138 lumen, 2700 Kelvin
Not suitable for dimmer
Dimensions 125x176 mm (Ø x H)
Energy efficiency class: A+ (Energylabel 5)

ZUIVER-CODE	GTIN-CODE	ITEM NAME			
5600005	8718548026254	BULB GLOBE LED			
PACKING	6 PCS/CTN	ORDER QTY: 6 PCS			
QTY	CTN SIZE (CM)	CBM	NW (KG)	GW (KG)	
1	13x13x19	0,0032	0,094	0,13	
6	40,5x27,5x21	0,023	0,56	1,2	



HOME DECO





HOME DECO



LUXURY TIME CLOCK

No time to lose, go seize the moment with our clock Luxury Time in black or white marble. No matter which one you choose; time will tell that Luxury Time will bring an elegant edge to your room until the end of... Well, you know...

Marble table clock
 Brass coloured aluminium hands
 Dimensions: 13x6x13 cm (WxDxH)
 Batteries: 1x AA (not included)

Note: Marble is a natural product and therefore may vary in colour



ZUIVER-CODE	GTIN-CODE	ITEM NAME		
8500039	8718548032354	CLOCK LUXURY TIME MARBLE WHITE		
8500040	8718548032361	CLOCK LUXURY TIME MARBLE BLACK		
PACKING	4 PCS/CTN	ORDER QTY: 4 PCS		
QTY	CTN SIZE (CM)	CBM	NW (KG)	GW (KG)
1	17x15,5x8,5	0,002	1,1	1,2
4	36x19x18	0,012	4,4	5,2

ZONE TIME CLOCK

Zuiver Zone Time clock tells the time of three different continents at the same time. What is your superpower? No worries, adopt Zone Time and he will share his superpower with you at any time!

Concrete table clock
 Grey powder coated aluminium hands
 Dimensions: 42x4,5x10 cm (WxDxH)
 Batteries: 3x AA (not included)

Note: Concrete is a natural product and therefore may vary in colour



ZUIVER-CODE	GTIN-CODE	ITEM NAME		
8500042	8718548032415	CLOCK ZONE TIME CONCRETE		
PACKING	4 PCS/CTN	ORDER QTY: 4 PCS		
QTY	CTN SIZE (CM)	CBM	NW (KG)	GW (KG)
1	48x14,5x9,5	0,006	1,85	2,1
4	49,5x40x16,5	0,03	7,4	8,4



PENDULUM TIME CLOCK

Our grandfather's pendulum clock was ahead of its time, since it was a design leading up to our Pendulum Time clock! This modern classic not only comes in very contemporary concrete, but also with a modern revaluation of its size. But without the annoying ding-dong...

Concrete table clock

Black powder coated aluminium hands and pendulum

Dimensions: 14,5x6x38 cm (WxDxH)

Batteries: 1x AA (not included)

Note: Concrete is a natural product and therefore may vary in colour



ZUIVER-CODE	GTIN-CODE	ITEM NAME		
8500041	8718548032392	CLOCK PENDULUM TIME CONCRETE		
8500055	8718548035560	CLOCK PENDULUM TIME ALL BLACK		
PACKING	4 PCS/CTN	ORDER QTY: 4 PCS		
QTY	CTN SIZE (CM)	CBM	NW (KG)	GW (KG)
1	44x18,5x10,3	0,008	1,8	2
4	46x44x20,5	0,04	7,2	8,5

CORK TIME CLOCK

Pssst, allow us to let you in on a secret. Cork Time is super trendy! The warm colour of this natural material and its matt finish are the suspected reason. But, here is another secret. We don't really care about the reasons. We just love our new Cork Time clock with its bold hands and moulded numbers!

Cork wall clock

Black powder coated aluminium hands

Dimensions: 31x5,5 cm (Ø x D)

Batteries: 1x AA (not included)



ZUIVER-CODE	GTIN-CODE	ITEM NAME		
8500045	8718548032477	CLOCK CORK TIME		
PACKING	2 PCS/CTN	ORDER QTY: 2 PCS		
QTY	CTN SIZE (CM)	CBM	NW (KG)	GW (KG)
1	37,5x36x9,5	0,013	0,55	0,9
2	39,5x22x38,5	0,033	1,1	2,2



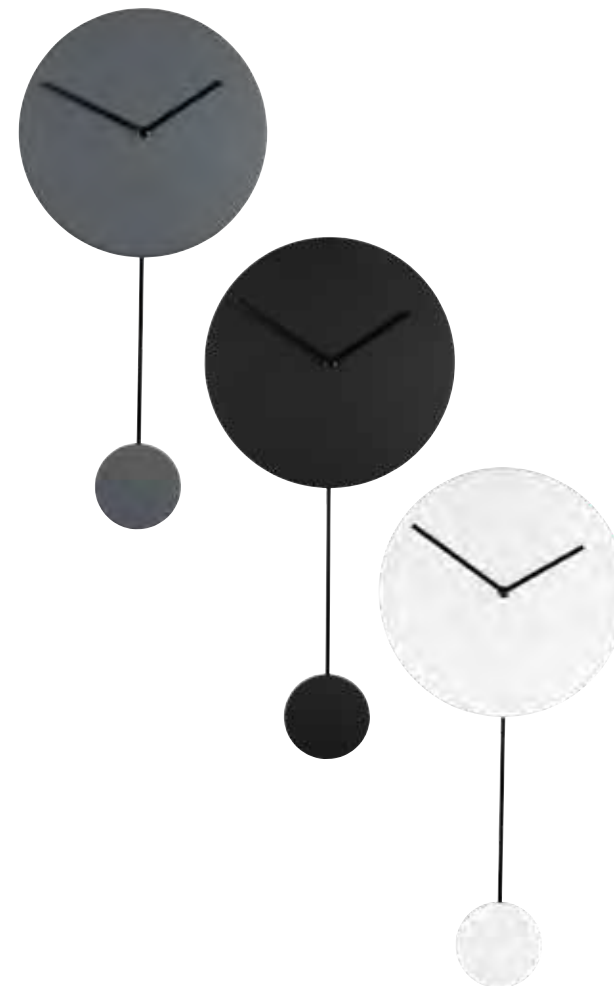
MINIMAL CLOCK



Design: Rik van Mierlo

Our Minimal clock might be minimal in design, but it definitely brings maximal style to your interior! Wall clock Minimal is designed by Rik van Mierlo, a young and promising designer. Inspiration for the design originates from his granny's place. He found the antique wooden wall clock with pendulum intriguing and decided to transform it into a modern and contemporary design.

Wall clock with soft touch rubber coating
 ABS dial, Ø 30 cm
 Black powdercoated aluminium hands
 Pendulum in ABS and black powdercoated aluminium
 Batteries: 1xAA (not included)
 Dimensions: 30x4x63 cm (WxDxH)



When one decides to design a minimalistic clock, everything has to be perfect down to the last detail. The pendulum and hands are of exactly the same material and size, so in this case we might say size does matter! We think Zuiver Minimal clock is lightweight, unique and striking, we hope you think so too!

ZUIVER-CODE	GTIN-CODE	ITEM NAME		
8500046	8718548033252	CLOCK MINIMAL GREY		
8500047	8718548033269	CLOCK MINIMAL BLACK		
8500048	8718548033276	CLOCK MINIMAL WHITE		
PACKING	4 PCS/CTN	ORDER QTY: 4 PCS		
QTY	CTN SIZE (CM)	CBM	NW (KG)	GW (KG)
1	48x34x9,5	0,015	0,44	0,9
4	49,5x41,5x35,5	0,073	1,76	4



UNO CLOCK



Design: Rik van Mierlo

You might remember them from your granny's place. Those way too old-fashioned, solid wooden table clocks. It was precisely such a clock that inspired designer Rik van Mierlo to come up with a timeless new table clock. Zuiver's clock Uno has that heavily built look and is made of trendy concrete. To add some warmth we chose cork for the pendulum, clockwork and base.

Use Uno as an art object in your interior. Don't be afraid to give it a prominent spot in your living room, Uno is a clock that needs to be seen!

Table clock with concrete casing in matte finish and cork bottom

12 cm Ø round cork clock with powdercoated aluminium hands

Round cork pendulum

Batteries: 1xAA (not included)

Dimensions: 17x24,5 cm (Ø x H)



ZUIVER-CODE	GTIN-CODE	ITEM NAME		
8500052	8718548033313	CLOCK UNO BLACK		
8500053	8718548033320	CLOCK UNO WHITE		
PACKING	2 PCS/CTN	ORDER QTY: 2 PCS		
QTY	CTN SIZE (CM)	CBM	NW (KG)	GW (KG)
1	30,4x20,3x20,3	0,0125	1,66	2
2	43,5x31,5x21,5	0,029	3,32	4,4



HOME DECO



CONCRETE TIME CLOCK

So, imagine this: a sweaty, warm, late afternoon in Guangzhou, China. We were visiting one of our suppliers. A clock specialist. During our visit, whilst talking, one of our designers suddenly got struck by clock-geniusosity. "Light weight concrete in dark grey and black with 3D numbers!" was his vision. The clockmaker added colored aluminum hands for the finishing touch and we named the result Concrete Time. Also cool right?

Concrete wall clock

Aluminium hands in orange or black

Dimensions: 31,6x5,5 cm (ØxD)

Batteries: 1xAA (not included)

Note: Concrete is a natural product and therefore may vary in colour



ZUIVER-CODE	GTIN-CODE	ITEM NAME		
8500027	8718548023864	CLOCK CONCRETE TIME ORANGE		
8500028	8718548024199	CLOCK CONCRETE TIME BLACK		
8500056	8718548035584	CLOCK CONCRETE TIME ALL BLACK		
PACKING	2 PCS/CTN	ORDER QTY: 2 PCS		
QTY	CTN SIZE (CM)	CBM	NW (KG)	GW (KG)
1	38x36,5x9,7	0,01	2,3	2,7
2	40x20x38	0,03	4,6	5,8



BRICK CLOCK

One can never know when they'll be in desperate need of a brick. For instance, to forcefully calm one's frustrations at work, or to use as a stepping stone to reach for high placed important stuff. Or, in this case, to style up any elevated surface to the extreme with a very useful clock! Table clock Brick: useful in so many ways...!

Table clock with concrete casing in matte black finish
Matte black, round iron clock with black dial and hands

Batteries: 1xAA (not included)

Dimensions: 9x9x19 cm (WxDxH)



ZUIVER-CODE	GTIN-CODE	ITEM NAME		
8500051	8718548033306	CLOCK BRICK		
PACKING	4 PCS/CTN	ORDER QTY: 4 PCS		
QTY	CTN SIZE (CM)	CBM	NW (KG)	GW (KG)
1	24,5x13x13	0,004	2,4	2,6
4	51,5x29x16	0,024	9,6	10,8



HOME DECO



BINK TIME CLOCK

There is something vintage chic about a desk clock. With the arrival of the computer they have unfortunately disappeared from our lives. The computer now tells us the time, usually right there in the upper right corner. How BORING! Now you can spice up your workspace again with an ultra-stylish little desk clock. We present: Bink Time!

Table clock in polyresin
In concrete look finish or copper plated
Black anodized aluminium hands
Dimensions: 10,5x4 cm (ØxD)
Batteries 1x AA(not included)



ZUIVER-CODE	GTIN-CODE	ITEM NAME		
8500036	8718548030701	CLOCK BINK TIME CONCRETE		
8500037	8718548030718	CLOCK BINK TIME COPPER		
PACKING	4 PCS/CTN	ORDER QTY: 4 PCS		
QTY	CTN SIZE (CM)	CBM	NW (KG)	GW (KG)
1	15x15x8,5	0,0019	0,29	0,34
4	31,5x16x19	0,0096	1,2	1,6

DOBLO TIME CLOCK

Our new clock Doblo Time is ideal for people who love multipurpose things. Something to tell you the time, store your pens, look classy but hip and is economical all at the same time? Yes, table clock Doblo Time can do all these things! Desk clocks these days are hard to find and if you find one it tends to be very lame or ridiculously expensive. So Zuiver decided to make one which is not only suitable for trendy CEO's. Although we are sure they will love Doble Time as well...

Table clock in polyresin in concrete look with pencil holder
Copper anodized aluminium hands
Dimensions: 15,5x4,5x10,5 cm
Batteries 1x AA(not included)



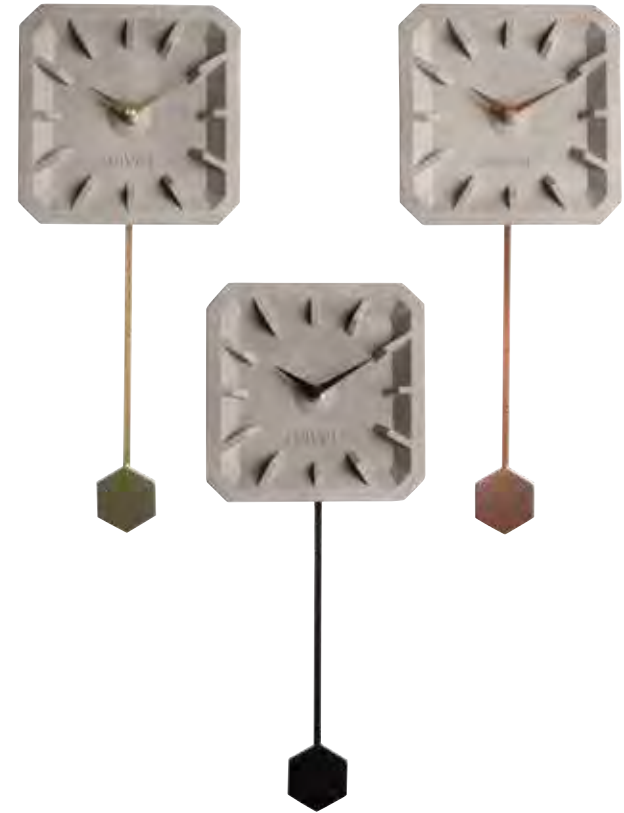
ZUIVER-CODE	GTIN-CODE	ITEM NAME		
8500038	8718548030725	CLOCK DOBLO TIME		
PACKING	4 PCS/CTN	ORDER QTY: 4 PCS		
QTY	CTN SIZE (CM)	CBM	NW (KG)	GW (KG)
1	20,5x14,5x9	0,0027	0,54	0,66
4	30,5x21,5x20	0,0133	2,16	2,9



TIKTAK TIME CLOCK

In clock Tiktak Time we tried to combine modern and classical details. The oldest reference is in its metal pendulum, which comes in copper, brass or black. For the face of the clock we were inspired by designs from the fifties. And of course the lightweight concrete is totally inspired by the latest trends. That makes Tiktak Time possibly the most time telling clock ever...

Concrete wall clock with aluminium pendulum and hands, anodized in copper, brass or black
 Dimensions: 15,5x4x37,5 cm (WxDxH)
 Batteries: 1xAA (not included)
 Note: Mix set = 2x each colour



ZUIVER-CODE	GTIN-CODE	ITEM NAME		
8500029	8718548024694	CLOCK TIKTAK TIME COPPER		
8500030	8718548024717	CLOCK TIKTAK TIME BRASS		
8500031	8718548024731	CLOCK TIKTAK TIME BLACK		
PACKING	6 PCS/CTN	ORDER QTY: 6 PCS		
QTY	CTN SIZE (CM)	CBM	NW (KG)	GW (KG)
1	27x22,5x9	0,005	0,87	1,17
6	47,5x28,3x31	0,042	5,22	7,75
ZUIVER-CODE	GTIN-CODE	ITEM NAME		
8500032	8718548024755	CLOCK TIKTAK TIME MIX SET OF 6		
PACKING	1 PCS/CTN (SET OF 6)			
QTY	CTN SIZE (CM)	CBM	NW (KG)	GW (KG)
1	27x22,5x9	0,005	0,87	1,17
6	47,5x28,3x31	0,042	5,22	7,75



HOME DECO



TIME BANDIT CLOCK

Our Time Bandit clock is still very much in sync with modern times. Especially since we updated this XXL wall clock series with an all-black, brass and copper version. Our Time Bandit feels at home wherever it is. And did we already mention its size? This wall clock is literally an eyecatcher! As one of our first designs, Time Bandit has proven it can stand the test of time.

Copper & brass:

Brass or copper plated steel border with black dial
Brass or copper coloured hands

Grey & black:

Grey or black powder coated steel border with
grey or black dial
Black coloured hands

Dimensions: 60x5 cm (ØxD)

Batteries: 1xAA (not included)



ZUIVER-CODE	GTIN-CODE	ITEM NAME		
8500007	8718548002456	CLOCK TIME BANDIT GREY/GREY		
8500043	8718548032439	CLOCK TIME BANDIT BLACK/COPPER		
8500044	8718548032446	CLOCK TIME BANDIT BLACK/BRASS		
8500054	8718548033337	CLOCK TIME BANDIT ALL BLACK		
PACKING	1 PCS/CTN			
QTY	CTN SIZE (CM)	CBM	NW (KG)	GW (KG)
1	64x63,5x9	0,037	4,8	5,7



MARBLE TIME CLOCK

Marble and gold. Ow, how they combine beautifully... It is like a match made in heaven. Gold coloured hands on a perfectly shaped slab of marble. Just look at it. See? Who needs numbers? No one.... Just pick your favourite colour of marble: white, grey, green or black. Go for it and let Marble Time shine on your wall...

Marble wall clock
 Brass-coloured aluminium hands
 Dimensions: 25x4,5 cm (ØxD)
 Batteries: 1xAA (not included)



ZUIVER-CODE	GTIN-CODE	ITEM NAME		
8500025	8718548023475	CLOCK MARBLE TIME WHITE		
8500033	8718548026827	CLOCK MARBLE TIME BLACK		
8500034	8718548026841	CLOCK MARBLE TIME GREEN		
8500035	8718548029170	CLOCK MARBLE TIME GREY		
PACKING	3 PCS/CTN	ORDER QTY: 3 PCS		
QTY	CTN SIZE (CM)	CBM	NW (KG)	GW (KG)
1	32x30,5x7,5	0,007	2	2,45
3	33,5x24,5x32	0,026	6	7,8





CUTE CLOCK

1. Stretch your arm horizontally while sitting at your desk. 2. Slide your arm from left to right over the desktop (the real one, not the digital one!) 3. Sweep all those papers and clutter from your desk. 4. Place Zuiver Cute clock on your desk. 5. See and enjoy how Cute enhances your workspace with its very trendy colour and chic golden hands. 6. Take this effect even further by repeating this process on other flat and elevated surfaces in your home.

Glazed ceramic table clock
 Gold coloured aluminium hands
 Batteries: 1xAA (not included)
 Dimensions: 13,5x6x13,5 cm (WxDxH)



ZUIVER-CODE	GTIN-CODE	ITEM NAME		
8500049	8718548033283	CLOCK CUTE PINK		
8500050	8718548033290	CLOCK CUTE GREEN		
PACKING	8 PCS/CTN	ORDER QTY: 8 PCS		
QTY	CTN SIZE (CM)	CBM	NW (KG)	GW (KG)
1	17x15,5x8,5	0,002	0,6	0,67
8	35x33x18,5	0,021	4,8	5,7

CERAMIC TIME CLOCK

Make no mistake: All our clocks are designed by Zuiver. As a reminder we have signed our Ceramic Clock with our brand signature. And, yes, that's right, you've read 'ceramic clock'. A clock made of ceramic. Not a very common material for a clock, but then again, we are not very common either!

Ceramic wall clock, in 2 colour combo's:

- PU-lacquered in blue with white hands
- PU-lacquered in green with red golden hands

Dimensions: 35x10 cm (ØxD)
 Batteries: 1xAA (not included)



ZUIVER-CODE	GTIN-CODE	ITEM NAME		
8500023	8718548023451	CLOCK CERAMIC TIME BLUE		
8500024	8718548023468	CLOCK CERAMIC TIME GREEN		
PACKING	2 PCS/CTN	ORDER QTY: 2 PCS		
QTY	CTN SIZE (CM)	CBM	NW (KG)	GW (KG)
1	40,7x39,5x15	0,024	2	2,57
2	42,7x32x42	0,057	4	5,57



PULP TIME CLOCK

Time will fly by with our lightweight and very cool Paper Pulp Wall Clock. Ok, in all honesty... that was just a catchy phrase. In fact this new cool design by Zuiver will do just the opposite. Because, as you know, time slows down considerably when you keep checking it. And this clock is so cool, you won't be able to keep your eyes off of it. So...

Wall clock, round or square
 100% recycled paper pulp
 Natural or black, with matte black aluminium hands
 Dimensions round: 46x5,5 cm (ØxD)
 Dimensions square: 36x7x36 cm (WxDxH)
 Batteries: 1xAA (not included)



ZUIVER-CODE	GTIN-CODE	ITEM NAME		
8500021	8718548023437	CLOCK PULP TIME ROUND BEIGE		
8500022	8718548023444	CLOCK PULP TIME ROUND BLACK		
PACKING	4 PCS/CTN	ORDER QTY: 4 PCS		
QTY	CTN SIZE (CM)	CBM	NW (KG)	GW (KG)
1	48,5x47,5x6,5	0,015	0,4	0,9
4	50x28x48,5	0,0679	1,6	4

ZUIVER-CODE	GTIN-CODE	ITEM NAME		
8500019	8718548023413	CLOCK PULP TIME SQUARE BEIGE		
8500020	8718548023420	CLOCK PULP TIME SQUARE BLACK		
PACKING	4 PCS/CTN	ORDER QTY: 4 PCS		
QTY	CTN SIZE (CM)	CBM	NW (KG)	GW (KG)
1	38,5x37,5x7,5	0,011	0,25	0,65
4	40x34x39	0,053	1	3



HOME DECO



OSB TIME CLOCK

How tough looking can a wall clock be? That question made us laugh until the Zuiver design team came up with the OSB Clock. The perfect companion for our OSB table. Not only because of the material we used, but look at those hands, they match the table legs. Details, details. We love them!

OSB wall clock
 OSB dial with white painted hours
 White aluminum hands
 Dimensions: 50x6 cm (ØxD)
 Batteries: 1xAA (not included)



ZUIVER-CODE	GTIN-CODE	ITEM NAME		
8500026	8718548023482	CLOCK OSB TIME WHITE		
PACKING	1 PCS/CTN	ORDER QTY: 3 PCS		
QTY	CTN SIZE (CM)	CBM	NW (KG)	GW (KG)
1	54,7x54x8	0,023	1,4	2,4
3	55,5x26,5x55,5	0,816	4,2	7,7

BLOOM VASE

Vase Bloom is a very special vase. It can put one single flower in the absolute spotlight and make it shine like a big bouquet all on its own! We all need such an elegant little vase in our life, don't you agree? In fact we should all see to it, that everyone around us owns one! Preferably this Zuiver one...

Powder coated aluminium
 Dimensions: 11x16 cm (Ø x H)
 Opening: 2,75 cm Ø



ZUIVER-CODE	GTIN-CODE	ITEM NAME		
8200022	8718548030398	VASE BLOOM BLACK		
8200023	8718548030411	VASE BLOOM SAND		
8200024	8718548030435	VASE BLOOM GREY		
PACKING	6 PCS/CTN	ORDER QTY: 6 PCS		
QTY	CTN SIZE (CM)	CBM	NW (KG)	GW (KG)
1	13x12,5x18	0,003	0,55	0,7
6	42x16x39	0,0262	3,3	4,8



PAWN CANDLE HOLDER

Tea light or proper candle? It can be a tough call. Some situations ask for the first, others need a more classic touch with a long slender candle. Choices, choices, but Zuiver helps you with this one. With candle holder Pawn you only need one candlestick, whichever choice you make. The bigger notch is perfect for tea lights, remove it and... ta-dah, a candlestick holder underneath! No, no...No need to thank us. Just enjoy!

Powder coated aluminium
 Candle openings: 2,2 cm Ø and 4,2 cm Ø
 Suitable for both dinner candle and tea light
 Dimensions: 7x17 cm (Ø x H)



ZUIVER-CODE	GTIN-CODE	ITEM NAME		
8300004	8718548030275	CANDLE HOLDER PAWN BLACK		
8300005	8718548030299	CANDLE HOLDER PAWN SAND		
8300006	8718548030312	CANDLE HOLDER PAWN GREY		
PACKING	6 PCS/CTN	ORDER QTY: 6 PCS		
QTY	CTN SIZE (CM)	CBM	NW (KG)	GW (KG)
1	9x8,5x20	0,0015	0,32	0,41
6	28x11x42	0,013	1,9	3,1

HEXAGON TRAY

Of course you can serve nuts or olives in our Tray Hexagon. Which is not only extremely practical but also stunningly pretty! You can use it in the kitchen, but imagine how this divided tray can show its beauty when holding your rings, watch or other jewellery... Good thing it comes in different colours; Two in the kitchen cabinet and one in the bathroom!

Powder coated aluminium
 Dimensions: 27x18,5x4 cm (WxDxH)
 Compartments: bottom 4 cm Ø and top 8,5 cm Ø



ZUIVER-CODE	GTIN-CODE	ITEM NAME		
8800010	8718548030336	TRAY HEXAGON BLACK		
8800011	8718548030350	TRAY HEXAGON SAND		
8800012	8718548030374	TRAY HEXAGON GREY		
PACKING	6 PCS/CTN	ORDER QTY: 6 PCS		
QTY	CTN SIZE (CM)	CBM	NW (KG)	GW (KG)
1	28x5,5x21	0,0032	0,5	0,65
6	30x19x42	0,024	3	4,4



BLOB VASE

Bouquets filled with long roses or shorter and wider bouquets? Zuiver has a vase Blob for every type of bouquet and all kinds of flowers! Blob large or XL, it doesn't matter: Both will elegantly accentuate all types of flowers but just as well make a statement without any branches or roses!

Powder coated iron

Dimensions large: 18x35 cm (Ø x H), opening 15 cm Ø

Dimensions XL: 23x28 cm (Ø x H), opening 21 cm Ø



ZUIVER-CODE	GTIN-CODE	ITEM NAME		
8200016	8718548030190	VASE BLOB LARGE BLACK		
8200017	8718548030206	VASE BLOB LARGE SAND		
8200018	8718548030213	VASE BLOB LARGE GREY		
PACKING	1 PCS/CTN			
QTY	CTN SIZE (CM)	CBM	NW (KG)	GW (KG)
1	21x21x38	0,017	1,1	1,7

ZUIVER-CODE	GTIN-CODE	ITEM NAME		
8200019	8718548030220	VASE BLOB XL BLACK		
8200020	8718548030237	VASE BLOB XL SAND		
8200021	8718548030244	VASE BLOB XL GREY		
PACKING	1 PCS/CTN			
QTY	CTN SIZE (CM)	CBM	NW (KG)	GW (KG)
1	26x26x31	0,021	1,3	2



NITO VASE

Nice matte ceramic and pretty textured glazes meet in the middle of these pretty Zuiver vases. Of course you're allowed to put flowers in them, but they don't necessarily need any! Our Nito vases shine by themselves. They come in different colours and shapes. Group them together and experience how they embody the ultimate finishing touch!

Grey coloured ceramic with glazed diamond pattern
 Dimensions M: 19x23 cm (Ø x H), opening: 12 cm Ø
 Dimensions L: 14x35,5 cm (Ø x H), opening: 6,5 cm Ø
 Dimensions XL: 21,5x40 cm (Ø x H), opening: 14 cm Ø



ZUIVER-CODE	GTIN-CODE	ITEM NAME		
8200026	8718548030947	VASE NITO XL CLAY		
PACKING	4 PCS/CTN	ORDER QTY: 4 PCS		
QTY	CTN SIZE (CM)	CBM	NW (KG)	GW (KG)
1	25,5x25,5x44	0,029	3	3,5
4	53x53x47,5	0,133	12	16

ZUIVER-CODE	GTIN-CODE	ITEM NAME		
8200027	8718548030954	VASE NITO L MOSS		
8200028	8718548030961	VASE NITO L CLAY		
PACKING	8 PCS/CTN	ORDER QTY: 8 PCS		
QTY	CTN SIZE (CM)	CBM	NW (KG)	GW (KG)
1	18x18x40	0,013	1,3	1,6
8	73,5x37,5x43	0,119	10,4	14

ZUIVER-CODE	GTIN-CODE	ITEM NAME		
8200029	8718548030978	VASE NITO M MOSS		
8200030	8718548030985	VASE NITO M CLAY		
PACKING	6 PCS/CTN	ORDER QTY: 6 PCS		
QTY	CTN SIZE (CM)	CBM	NW (KG)	GW (KG)
1	22x22x28	0,014	1,4	1,7
6	69x46,5x30,5	0,098	8,4	11



HOME DECO



REINA VASE NEW

Lamp, vase, design object. What do these objects have in common? Well, the answer is Reina, because our Reina is all of the above! This rechargeable lamp and beautiful vase in one is named after Reina, mom of our art director Caroline. For years and years, Reina transformed our HQ into one great sea of beautiful flowers, so we couldn't think of a better tribute!

- Concrete base with built-in LED light
- Frosted non-tempered glass with concrete lit
- Waterproof
- On/off switch in base
- Rechargeable, including adapter
- For indoor & outdoor use
- Dimensions M: 15x29,5 cm (Ø x H)
- Dimensions L: 21x30,5 cm (Ø x H)



2 W



ZUIVER-CODE	GTIN-CODE	ITEM NAME		
8200035	8718548038974	VASE REINA M		
8200036	8718548038981	VASE REINA L		
PACKING	1 PCS/CTN			
SIZE	CTN SIZE (CM)	CBM	NW (KG)	GW (KG)
M	42x22x22	0,02	2,2	3,5
L	28x28x42	0,03	4,1	5,5



FARMA JUG NEW

Jug Farma is a pretty looking object which has enough visual interest to be used as a standalone. Meaning: no flowers required. But they are allowed of course, because jug Farma is up to the task. This pretty black pot is made out of cast aluminium. To make it even prettier we polished the top rim to give it a silver shine.

Black lacquered aluminium jug
 Polished aluminium top
 Waterproof
 Dimensions: 10x12x17 cm (WxDxH)
 Opening: 5,7 cm Ø



ZUIVER-CODE	GTIN-CODE	ITEM NAME		
8200037	8718548040311	JUG FARMA		
PACKING	12 PCS/CTN	ORDER QTY: 12 PCS		
QTY	CTN SIZE (CM)	CBM	NW (KG)	GW (KG)
1	12,5x12,5x20	0,003	0,66	0,83
12	37x25,5x43	0,04	7,92	10

FARMA VASE NEW

Vase Farma has the nice patina of unpolished cast aluminium. Perfect for housing dried botanicals, but also capable of holding fresh flowers. The visual detail of the polished rim gives Farma the perfect finishing touch. This vase likes to be styled in pairs. So go ahead and combine Farma Large, Farma Medium and Farma jug.

Black lacquered aluminium vase
 Polished aluminium top
 Waterproof
 Dimensions L: 15,5x29 cm (Ø x H)
 Opening L: 7,9 cm Ø
 Dimensions M: 11x20 cm (Ø x H)
 Opening M: 5,3 cm Ø

ZUIVER-CODE	GTIN-CODE	ITEM NAME		
8200038	8718548040328	VASE FARMA L		
PACKING	6 PCS/CTN	ORDER QTY: 6 PCS		
QTY	CTN SIZE (CM)	CBM	NW (KG)	GW (KG)
1	17,5x17,5x30,5	0,009	1,7	2,33
6	56x56x33	0,103	10,2	14
ZUIVER-CODE	GTIN-CODE	ITEM NAME		
8200039	8718548040335	VASE FARMA M		
PACKING	9 PCS/CTN	ORDER QTY: 9 PCS		
QTY	CTN SIZE (CM)	CBM	NW (KG)	GW (KG)
1	12,5x12,5x22,5	0,004	0,85	1,83
9	41x41x27	0,045	7,65	11



FAJEN VASE

Watch out for Vase Fajen in white or black marble, for it's sure to give your home a sophisticated look. Marble has markings and weight that just cannot be mimicked by ceramic. That's why we used the real stuff for Fajen. Therefore it will withstand many years of intensive use in top notch condition.

Marble vase
 Dimensions: 15x25 cm (Ø x H)
 Opening: 12 cm Ø

Note: Marble is a natural product and therefore may vary in colour. For decoration purposes only, not waterproof



ZUIVER-CODE	GTIN-CODE	ITEM NAME		
8200033	8718548032279	VASE FAJEN MARBLE WHITE		
8200034	8718548032286	VASE FAJEN MARBLE BLACK		
PACKING	1 PCS/CTN			
QTY	CTN SIZE (CM)	CBM	NW (KG)	GW (KG)
1	33x21x21	0,015	4,4	5,1

CUP MARBLE

We are happy to announce that our marble collection has a new family member. Cup Marble comes in white, grey and green, high quality, beautiful marble! You can use it for everyday knick-knacks like make-up accessories, as a little vase or as a cup to actually drink from. To make matters even better, it perfectly nests into our Zuiver Marble tray! What a stunning combination. Not only for food purposes, but also to store pens and paperclips on your desk. Endless possibilities!

Marble cup
 Dimensions: 7x10 cm (Ø x H)
 Opening: 5 cm Ø

Note: Marble is a natural product and therefore may vary in colour. For decoration purposes only, not waterproof



ZUIVER-CODE	GTIN-CODE	ITEM NAME		
8800014	8718548032293	CUP MARBLE WHITE		
8800015	8718548032309	CUP MARBLE GREY		
8800016	8718548032316	CUP MARBLE GREEN		
PACKING	4 PCS/CTN	ORDER QTY: 4 PCS		
QTY	CTN SIZE (CM)	CBM	NW (KG)	GW (KG)
1	14x9,5x9,5	0,0012	0,77	0,8
4	41x12x16	0,008	3,08	3,5

FAD WALL SHELF

13-15 mm marble shelf
 Iron shelf support with brown buffalo leather strap
 Dimensions: 50x16x32 (WxDxH)
 Maximum weight load: 10 kg



ZUIVER-CODE	GTIN-CODE	ITEM NAME		
7600001	8718548029361	WALL SHELF FAD MARBLE WHITE		
7600002	8718548029378	WALL SHELF FAD MARBLE GREY		
7600003	8718548029385	WALL SHELF FAD MARBLE GREEN		
PACKING	1 PCS/CTN			
QTY	CTN SIZE (CM)	CBM	NW (KG)	GW (KG)
1	57x20,5x10,5	0,0123	3,8	4,2

MARBLE TRAY

Impress your friends by serving them a cappuccino in style, just like the most trendy coffeehouse out there. You don't even have to be a great barista anymore! Just place a hip glass or coffee cup in the circular section and some rustic cane sugar lumps and a tiny spoon in the rectangle one and go knock their coffee socks off. Try to keep your cool though. Go like: "What? Oh, this little marble Zuiver tray you mean? Yeah, nice huh?"

Marble serving tray
 Dimensions: 22x10x1,5 cm (WxDxH)



ZUIVER-CODE	GTIN-CODE	ITEM NAME		
8800007	8718548029088	TRAY MARBLE WHITE		
8800008	8718548029101	TRAY MARBLE GREY		
8800009	8718548029125	TRAY MARBLE GREEN		
PACKING	1 PCS/CTN	ORDER QTY: 6 PCS		
QTY	CTN SIZE (CM)	CBM	NW (KG)	GW (KG)
1	28,5x14,5x4,5	0,002	0,7	0,8
6	29x31,5x15	0,0137	4,2	5,1

What better way to display your most valued possessions than these Zuiver Fad wall shelves? Of course, as you can expect from us, Fad is no ordinary wall shelf. It's a posh version with trendy natural marble shelves. To make it even classier we chose buffalo leather belts! We bet you'll steal the show with Zuiver Fad on your wall.



KANDY COAT RACK NEW

Let us introduce to you the most confused coat rack in the world. See, our coatrack Kandy is suffering from an identity crisis. Does she belong in the hallway, in the master bedroom, or in the girl's room for that matter? Kandy doesn't know and to be honest, neither do we. Because the simple truth is that Kandy would fit in perfectly in all these spaces!

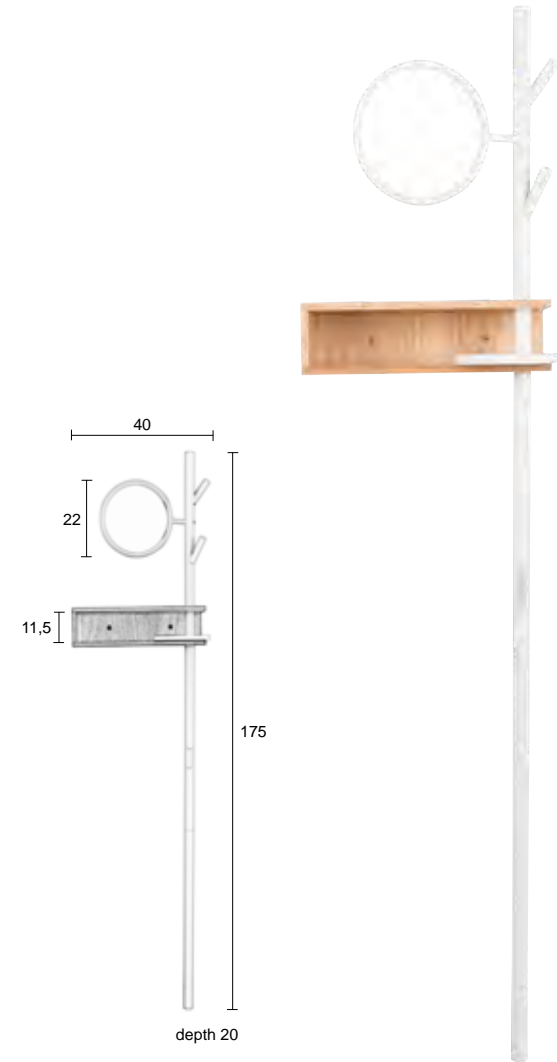
Enamel coated steel tube with 3 hooks

Tilttable round mirror

Oak veneered MDF shelf

White lacquered, solid rubberwood dish, Ø 17 cm

Maximum weight load: 23 kg



ZUIVER-CODE	GTIN-CODE	ITEM NAME		
7100011	8718548036307	COAT RACK KANDY		
PACKING	1 PCS/CTN			
QTY	CTN SIZE (CM)	CBM	NW (KG)	GW (KG)
1	65x24x21	0,033	4,5	5,2



WOODEN TIP COAT RACK

Sometimes all a good design needs is a touch of wood. That's why we included the Wooden tips in coat rack Wooden Tip. Simple right?

Metal coat rack with 8 hooks
White lacquered with rubber wood tips
Dimensions: 39,5x175,5 cm (Ø x H)

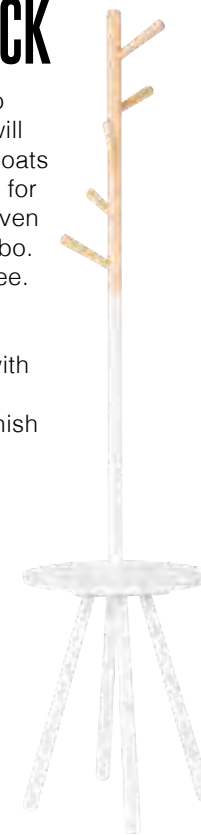
ZUIVER-CODE	GTIN-CODE	ITEM NAME		
9000156	8718548007680	COAT RACK WOODEN TIP WHITE		
PACKING	1 PCS/CTN			
QTY	CTN SIZE (CM)	CBM	NW (KG)	GW (KG)
1	79x36,5x9	0,026	5,5	6,5



TABLE TREE COAT RACK

We love multifunctional furniture. So we designed Table Tree. Not only will Table Tree take care of your stray coats and scarves, it will also be a refuge for pocket change, keys, wallets and even mail. Note the wood and white combo. It's almost a shame to use Table Tree. It looks so nice, naked and all.

Rubber wood coat rack (5 hooks) with 15 mm MDF table top
Combination of natural and white finish
Dimensions: 40x169 cm (Ø x H)



ZUIVER-CODE	GTIN-CODE	ITEM NAME		
7100005	8718548014732	COAT RACK TABLE TREE WHITE		
PACKING	1 PCS/CTN			
QTY	CTN SIZE (CM)	CBM	NW (KG)	GW (KG)
1	46x67x7,5	0,017	3,8	4,4



PINNACLE COAT RACK

Our inspiration can come from anything. Sometimes even from the weirdest things. For this coat rack it was the ancient game of Mikado. We gave this Asian agility game a Scandinavian feel by using blond wood and a white or dark grey detail. Naturally we had to scale everything up a bit. The result is this free-standing coat rack. We called it Pinnacle.

Solid pine wood, natural lacquered
 Powdercoated steel joint
 Maximum weight load: 23 kg
 Dimensions: 56x59x176 cm (WxDxH)



ZUIVER-CODE	GTIN-CODE	ITEM NAME		
7100006	8718548026391	COAT RACK PINNACLE WHITE		
7100007	8718548026407	COAT RACK PINNACLE DARK GREY		
PACKING	1 PCS/CTN			
QTY	CTN SIZE (CM)	CBM	NW (KG)	GW (KG)
1	129x23x16	0,047	2,8	3,9



BE COOL COOLER

You want to be cooler than your neighbours? Just bring out the Zuiver Be Cool Ice Chest and let the BBQ games begin! This is undeniably the coolest cooler in the world. Just fill this baby up with ice cubes, throw in those brewskis, place it outside and casually pop one open with the handy dandy opener on the side. Bam!

Iron sheet cover and legs, black powder coated
 Bottle opener with cap catcher attached
 White polypropylene cooler with PU-foam
 PVC & iron castors, one with brake
 Maximum capacity: 70 litres
 Maximum weight load: 55 kg

Dimensions: 91x39x84,5 cm (WxDxH)
 Cooler unit: 78x39x35,5 cm (WxDxH)
 (measured on the outside, without handles)

ZUIVER-CODE	GTIN-CODE	ITEM NAME		
7900007	8718548031678	COOLER BE COOL		
PACKING	1 PCS/CTN			
QTY	CTN SIZE (CM)	CBM	NW (KG)	GW (KG)
1	82,5x44x41,5	0,15	16	18



bottle opener



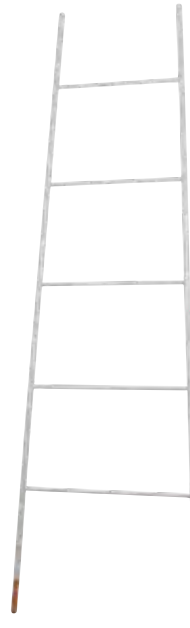
threaded drain plug

Zuivers Rack Ladder and Leaning Mirror are like a unmarried couple; They belong together, but do not share a family name. So, I guess it's okay to just buy the magazine rack and not the mirror. But hey, let's be honest, aren't they a cute couple? Leaning together... So carelessly on the wall... In your hall... Carrying your daily newspapers and magazines... While you check your lipstick... Or tie... Depending on your sex... O, well, you get the picture, right?



RACK LADDER

White powdercoated steel ladder
 Rubberwood feet, natural lacquered
 Dimensions: 37/54(top/bottom)x2x175 cm (WxDxH)
 For decoration only



ZUIVER-CODE	GTIN-CODE	ITEM NAME		
7900004	8718548018969	LADDER RACK WHITE		
PACKING	1 PCS/CTN			
QTY	CTN SIZE (CM)	CBM	NW (KG)	GW (KG)
1	91x55x6	0,03	1,9	3

LEANING MIRROR

Mirror in white powdercoated steel frame (2 cm tube)
 Rubberwood feet, natural lacquered
 Dimensions: 31/48(top/bottom)x4,9x171 cm (WxDxH)



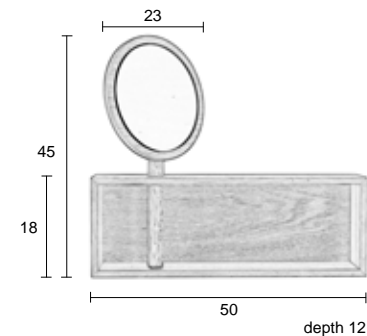
ZUIVER-CODE	GTIN-CODE	ITEM NAME		
8100003	8718548018976	MIRROR LEANING WHITE		
PACKING	1 PCS/CTN			
QTY	CTN SIZE (CM)	CBM	NW (KG)	GW (KG)
1	165x49,5x6	0,049	5,03	6,3



KANDY WALL SHELF NEW

Kandy. To be used wherever you want. What a good idea for your hallway. Although Kandy says she could look just as great in a (teenage girl's) bedroom for make-up and stuff. Yes, Kandy you are so multifunctional!

Oak veneered MDF shelf
 Rotatable round mirror, Ø 23 cm
 Maximum weight load: 6 kg



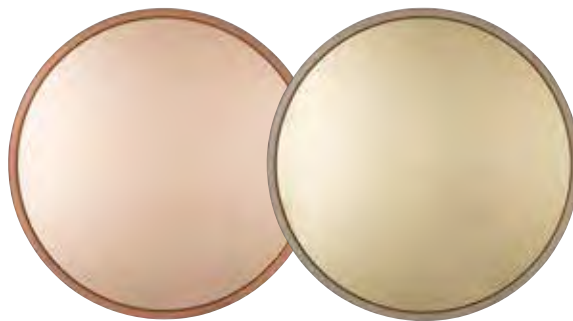
ZUIVER-CODE	GTIN-CODE	ITEM NAME		
7600006	8718548036314	WALL SHELF KANDY		
PACKING	1 PCS/CTN			
QTY	CTN SIZE (CM)	CBM	NW (KG)	GW (KG)
1	60x19x27	0,031	2,9	3,8



BANDIT MIRROR

Stand out from the crowd and reflect all that's dear to you in copper or gold! Mirror Bandit reflects whatever is in front of it in a warm and elegant light. Extra perk: check yourself in mirror Bandit daily and you will never seem pale again!

Copper or brass coloured mirror glass
Copper or brass plated steel border, 2x5 cm (WxD)
Dimensions: 60x5 cm (Ø x D)



ZUIVER-CODE	GTIN-CODE	ITEM NAME		
8100014	8718548032453	MIRROR BANDIT COPPER		
8100015	8718548032460	MIRROR BANDIT GOLD		
PACKING	1 PCS/CTN			
QTY	CTN SIZE (CM)	CBM	NW (KG)	GW (KG)
1	64,5x63,5x9	0,037	4,8	5,7

ROUND WALL MIRROR

Ok ladies, who recognizes this: You're running out the door, you quickly check yourself in a mirror and see that your hair is in need of a comb and your lips are in need of lipstick. But where are they? Round Wall helps you out right there! You can easily house a comb and a lipstick in its fun compartment. And for you gents, no worries: Round Wall is also pretty when empty.

5 mm mirror with 12 mm plywood frame
Oak veneer, natural colour

Dimensions:

- 40x8 cm (Ø x D)
- 60x8 cm (Ø x D)



ZUIVER-CODE	GTIN-CODE	ITEM NAME		
8100002	8718548007659	MIRROR ROUND WALL '40		
PACKING	1 PCS/CTN			
QTY	CTN SIZE (CM)	CBM	NW (KG)	GW (KG)
1	46x46x14,5	0,031	2,6	3,16
ZUIVER-CODE	GTIN-CODE	ITEM NAME		
8100004	8718548019270	MIRROR ROUND WALL '60		
PACKING	1 PCS/CTN			
QTY	CTN SIZE (CM)	CBM	NW (KG)	GW (KG)
1	67x65x13	0,057	6	7



ASTER PLAID

Of course you could knit your own comfy soft throw blanket. If that is the case, please skip this page. Because after seeing our throw Aster you'll come to the conclusion that you've been knitting for, well, nothing... Zuiver beat you to it. The perfect and comfortable sized knitted throw, it is right here. And to make matters even better this series has a throw pillow as well!

100% acryl knitted throw blanket
with orange stitching detail
Dimensions: 170x130 cm (LxW)



ZUIVER-CODE	GTIN-CODE	ITEM NAME		
8700001	8718548027022	PLAID ASTER BLACK		
8700002	8718548027046	PLAID ASTER GREY		
8700003	8718548027060	PLAID ASTER IVORY		
8700007	8718548028845	PLAID ASTER BLUE		
PACKING	4 PCS/CTN	ORDER QTY: 4		
QTY	CTN SIZE (CM)	CBM	NW (KG)	GW (KG)
4	40x30x30	0,036	3,2	4

ASTER PILLOW

Complete your newly styled lounge area with our throw pillow Aster. It is finely knitted from a comfy soft acrylic-mix and has a lovely orange detail. It is the perfect companion for throw blanket Aster. Just pick your favourite colour. Or simply combine them...

100% acryl knitted front with orange stitching detail
Grey cotton back
Polyester fibre filling
Dimensions: 60x30 cm (LxW)



ZUIVER-CODE	GTIN-CODE	ITEM NAME		
8600032	8718548027084	PILLOW ASTER BLACK		
8600033	8718548027107	PILLOW ASTER GREY		
8600034	8718548027121	PILLOW ASTER IVORY		
8600042	8718548028821	PILLOW ASTER BLUE		
PACKING	6 PCS/CTN	ORDER QTY: 6		
QTY	CTN SIZE (CM)	CBM	NW (KG)	GW (KG)
6	30x60x15	0,027	2,7	3,5



MIMOSA PLAID

Is it winter yet? Because we can't wait to cuddle up under our throw Mimosa! With its subtle orange detail it is a blanket to long for. It's warm and soft and when not in use it really styles up the couch. Especially when combined with matching throw pillow Mimosa!

Woven throw blanket with fringes and orange stitching detail
60% acryl, 20% wool, 20% nylon
Dimensions: 170x130 cm (LxW)



ZUIVER-CODE	GTIN-CODE	ITEM NAME		
8700004	8718548027145	PLAID MIMOSA YELLOW		
8700005	8718548027169	PLAID MIMOSA GREY		
8700006	8718548027183	PLAID MIMOSA GREEN		
PACKING	4 PCS/CTN	ORDER QTY: 4		
QTY	CTN SIZE (CM)	CBM	NW (KG)	GW (KG)
4	40x30x20	0,024	1,8	2,6

MIMOSA PILLOW

Throw Pillow Mimosa is all about delicacy. The fabric we used for this throw pillow is soft, the waffle pattern small and the orange thread creates a subtle detail. Pillow Mimosa comes in several colours and, needless to say, goes very well together with throw blanket Mimosa...

Woven front with orange stitching detail
60% acryl, 20% wool, 20% nylon
Grey cotton back
Polyester fibre filling
Dimensions: 45x45 cm (LxW)



ZUIVER-CODE	GTIN-CODE	ITEM NAME		
8600035	8718548027206	PILLOW MIMOSA YELLOW		
8600036	8718548027220	PILLOW MIMOSA GREY		
8600037	8718548027244	PILLOW MIMOSA GREEN		
PACKING	6 PCS/CTN	ORDER QTY: 6		
QTY	CTN SIZE (CM)	CBM	NW (KG)	GW (KG)
6	45x45x15	0,03	3	3,8



COSIMA PLAID

There is always something cheerful about the polka dot, don't you agree? It brings a smile and something playful into the mix. No wonder we immediately fell in love with this jacquard knit with its pretty coloured teal blue and mustard yellow dots, and we decided to use it in a very comfortable throw blanket. Throw Cosima is the result.

100% acryl knitted throw blanket
Dimensions: 170x130 cm (LxW)



ZUIVER-CODE	GTIN-CODE	ITEM NAME		
8700008	8718548028869	PLAID COSIMA BLUE		
8700009	8718548028883	PLAID COSIMA YELLOW		
PACKING	4 PCS/CTN	ORDER QTY: 4		
QTY	CTN SIZE (CM)	CBM	NW (KG)	GW (KG)
4	40x30x30	0,036	3,2	4

MONTY PILLOW

Ohh! Doesn't Pillow Monty look comfy!? It makes you long for a cold night curled up in front of the television. Remote within reach, ice cream straight from the carton and lots of pillow Monty's all around you.... ohh! Give us more!

72% viscose, 23% polyester, 5% cotton
25.000 Martindale, colour fastness 3-4
Filling: 100% polyether
Dimensions: 45x45 cm (LxW)



ZUIVER-CODE	GTIN-CODE	ITEM NAME		
8600022	8718548024274	PILLOW MONTY LIGHT BLUE		
8600023	8718548024298	PILLOW MONTY DARK GREY		
8600024	8718548024311	PILLOW MONTY HONEY		
PACKING	6 PCS/CTN	ORDER QTY: 6		
QTY	CTN SIZE (CM)	CBM	NW (KG)	GW (KG)
6	39x39x55	0,084	3,6 (6x0,6)	4,5



SARONA PILLOW

For pillow Sarona we were inspired by the old weave technique of velvet jacquard. In the weaving process we let threads in contrasting colours appear and disappear in a random looking pattern. The result is a fabric with a nice distressed look. As if it was sanded, but that would have made the pillow hard and rough, while Sarona is über soft. We liked the result so much we used it in several colour combinations and made all of them into a nice throw pillow.

Fabric: 63% viscose, 24% polyester,
8% linen, 5% cotton
18.000 Martindale, colour fastness 4-5
Filling: 100% polyether
Dimensions: 45x45 (LxW)



ZUIVER-CODE	GTIN-CODE	ITEM NAME		
8600043	8718548030008	PILLOW SARONA VINTAGE BLUE		
8600044	8718548030022	PILLOW SARONA OCHRE YELLOW		
8600045	8718548030046	PILLOW SARONA MOSS GREEN		
8600046	8718548030060	PILLOW SARONA NIGHT BLUE		
PACKING	6 PCS/CTN	ORDER QTY: 6 PCS		
QTY	CTN SIZE (CM)	CBM	NW (KG)	GW (KG)
6	39x39x55	0,084	3,6 (6x0,6)	4,5



MIAMI PILLOW

For those of us hooked on plants, who love filling their rooms with houseplants of every size and (green) colour, but also for those of us who just don't have the green fingers to actually do that, we have designed Miami throw pillow especially for you. You can now add an extra urban jungle touch to your home in no less than four colours. And no watering is required!

Pile-fabric with leaf pattern
 79% viscose, 21% polyester cover
 >25.000 Martindale, colour fastness 4-5
 Filling: 100% polyether
 Dimensions: 45x45 cm (LxW)



ZUIVER-CODE	GTIN-CODE	ITEM NAME		
8600083	8718548034716	PILLOW MIAMI SUNSET YELLOW		
8600084	8718548034730	PILLOW MIAMI FLAMINGO PINK		
8600085	8718548034754	PILLOW MIAMI MIDNIGHT BLUE		
8600086	8718548034778	PILLOW MIAMI PALMTREE GREEN		
PACKING	6 PCS/CTN	ORDER QTY: 6 PCS		
QTY	CTN SIZE (CM)	CBM	NW (KG)	GW (KG)
6	39x39x55	0,084	3,6 (6x0,6)	4,5



SALA PILLOW

Pillow Sala is most at home right there at the transition from your seat to your backrest. Or leaning right in front of your pillow. But to be honest, our throw pillows like Sala here, can actually be used anywhere you want. The secret to that are its stunning looks. They'll shine anywhere!

Hand-decorated woven cover
 Removable cover, 60% cotton, 20% acryl,
 20% polyester
 Filling: 100% polyester fibre
 Dimensions: 65x30 cm (LxW)



ZUIVER-CODE	GTIN-CODE	ITEM NAME		
8600078	8718548034198	PILLOW SALA NATURAL BLUE		
PACKING	6 PCS/CTN	ORDER QTY: 6 PCS		
QTY	CTN SIZE (CM)	CBM	NW (KG)	GW (KG)
6	33x68x30	0,067	5,4 (6x0,9)	6,9

EVI PILLOW

A whoop of delight was all we could exclaim when we first lay eyes on throw pillow Evi. It came out just as we expected, with its nice bohemian feel and macramé adornments. Ain't it pretty? And the best part? We made another decorative pillow in this Ibiza-meets-Marrakech-style. Yes, your excused, go check out Pillow Saar!

Hand-knotted, macrame pattern
 Removable cover, 90% cotton, 10% polyester
 Filling: 100% polyester fibre
 Dimensions: 50x30 cm (LxW)



ZUIVER-CODE	GTIN-CODE	ITEM NAME		
8600076	8718548034068	PILLOW EVI IVORY TEAL		
PACKING	6 PCS/CTN	ORDER QTY: 6 PCS		
QTY	CTN SIZE (CM)	CBM	NW (KG)	GW (KG)
6	38x55x30	0,063	6,6 (6x1,1)	8,1



SAAR PILLOW

Just look at throw pillow Saar here. Can you imagine her, casually spicing up your couch, chair, stool of floor? In the living, bedroom, terrace or porch? We sure can! This macramé beauty was designed to spice up your styling. And the best part? Saar isn't alone! Go check out pillow Evi and restart imagining...

Hand-knotted, macrame pattern
Removable cover, 90% cotton, 10% polyester
Filling: 100% polyester fibre
Dimensions: 40x40 cm (LxW)



ZUIVER-CODE	GTIN-CODE	ITEM NAME			
8600077	8718548034082	PILLOW SAAR IVORY PINK			
PACKING	6 PCS/CTN	ORDER QTY: 6 PCS			
QTY	CTN SIZE (CM)	CBM	NW (KG)	GW (KG)	
6	45x45x30	0,061	6 (6x1)	7,5	

FRINGE PILLOW

Close your eyes and imagine the comfiest throw pillow possible. Now open your eyes and... here it is! Let us present to you, Pillow Fringe. We outdone your imagination, haven't we. That's what we are Zuiver for! But back to Fringe. This pillow is a hybrid of your favorite wool sweater, a decorative pillow and a blanket. Enjoy!

Hand-woven cover with fringes
Removable cover, 70% wool, 30% cotton cover
Filling: 100% polyester fibre
Dimensions: 45x45 cm (LxW)



ZUIVER-CODE	GTIN-CODE	ITEM NAME			
8600079	8718548034211	PILLOW FRINGE NATURAL			
PACKING	6 PCS/CTN	ORDER QTY: 6 PCS			
QTY	CTN SIZE (CM)	CBM	NW (KG)	GW (KG)	
6	48x48x35	0,081	9,6 (6x1,6)	11,1	



DIAMOND PILLOW

Sometimes the right touch of luxury can be found in something simple, like the perfect throw pillow. Our Pillow Diamond masters that quality. Royal Red, Minty Green, Pebble Grey or Emerald Green. It doesn't matter which one of these classy colours you choose. They are equally chic and they combine perfectly with our Diamond Chair which is covered with the same fabric and diamond stitching.

Diamond stitched fabric with piping
 Fabric: 100% polyester, > 25.000 Martindale
 Filling: 100% polyether
 Dimensions: 50x50 cm (LxW)



emerald green minty green pebble grey royal red

ZUIVER-CODE	GTIN-CODE	ITEM NAME		
8600038	8718548027350	PILLOW DIAMOND SQUARE ROYAL RED		
8600039	8718548027367	PILLOW DIAMOND SQUARE MINTY GREEN		
8600040	8718548027374	PILLOW DIAMOND SQUARE EMERALD GREEN		
8600041	8718548027381	PILLOW DIAMOND SQUARE PEBBLE GREY		
PACKING	6 PCS/CTN	ORDER QTY: 6		
QTY	CTN SIZE (CM)	CBM	NW (KG)	GW (KG)
6	49x49x62	0,149	1,05	1,5

SALMON PILLOW

We at Zuiver have an absolute soft spot for Scandinavian patterns. Patterns like the ones on the famous Norwegian sweaters. We have finally found a way to incorporate them into our interiors: With Pillow Salmon. A nice wool-cotton mix, soft to the touch and warm to the feet. Such a pretty woven fabric, we just had to use it in a pillow and a carpet. Of course they can be bought separately, but imagine how well-balanced your interior will be when your rug and pillow match....!

Front: hand-woven, 80% wool, 20% cotton
 Colour fastness: 2-3
 Back: 100% cotton
 Polyester fibre filling
 Dimensions: 50x50 cm (LxW)



ZUIVER-CODE	GTIN-CODE	ITEM NAME		
8600029	8718548024571	PILLOW SALMON		
PACKING	6 PCS/CTN	ORDER QTY: 6		
QTY	CTN SIZE (CM)	CBM	NW (KG)	GW (KG)
6	53x53x23	0,065	5,1	6,6



FOX PILLOW

The most powerful geometric designs are often set in just two colours: black and white. Just like the patterns from a classic Norwegian sweater. Pillow Fox proves the power of black and white patterns once again. Just like your favourite sweater, Pillow Fox is made from a perfect blend of wool and cotton and in an über comfortable size. Ready to style up any interior!

Front: hand-woven, 50% wool, 30% recycled art silk, 20% cotton
 Colour fastness: 2-3
 Back: 100% cotton
 Polyester fibre filling
 Dimensions: 50x50 cm (LxW)



ZUIVER-CODE	GTIN-CODE	ITEM NAME		
8600030	8718548024595	PILLOW FOX		
PACKING	6 PCS/CTN	ORDER QTY: 6		
QTY	CTN SIZE (CM)	CBM	NW (KG)	GW (KG)
6	53x53x23	0,065	5,7	7,2

MOOSE PILLOW

Pillow Moose is a special pillow. Not only because of the patterns, inspired by the famous Norwegian sweater. No, there are more reasons. Tell us, how many pillows have a brother from-an-other-mother? He is called Carpet Moose. Yup, we did it. We just had to use this comfy wool-cotton mix with its pretty woven pattern in more than one design. Besides, think how well styled your house will look when your throw pillow and carpet match? Smashing!

Front: hand-woven, 80% wool, 20% cotton
 Colour fastness: 2-3
 Back: 100% cotton
 Polyester fibre filling
 Dimensions: 50x50 cm (LxW)



ZUIVER-CODE	GTIN-CODE	ITEM NAME		
8600031	8718548024618	PILLOW MOOSE		
PACKING	6 PCS/CTN	ORDER QTY: 6		
QTY	CTN SIZE (CM)	CBM	NW (KG)	GW (KG)
6	53x53x23	0,065	6,3	7,8



KEYCOLOUR PILLOW

Our design team adores splashes of colour. We are always looking for colourful products that will make you happy and will empower your space. For this pillow, we used all key colours in just one item. Hence its name: Pillow Keycolour! It is all you need to brighten up a dull seating area or a plain bedcover...

74% viscose, 21% acryl, 5% cotton
25.000 Martindale, colour fastness 3-4
Filling: 100% polyether
Dimensions: 45x45 cm (LxW)



ZUIVER-CODE	GTIN-CODE	ITEM NAME		
8600026	8718548024359	PILLOW KEYCOLOUR		
PACKING	6 PCS/CTN	ORDER QTY: 6		
QTY	CTN SIZE (CM)	CBM	NW (KG)	GW (KG)
6	39x39x55	0,084	3,6 (6x0,6)	4,5



RIDGE PILLOW

We love our Ridge chair Rib fabric so much that we wanted to do more with it. That's how Pillow Ridge was born. And it was a fast delivery. For we just couldn't wait.

Arm cushion in ribcord fabric
 Fabric: 88% nylon, 12% polyester, >40.000 Martindale
 Filling: 60% duck feathers, 40% polyester fibre
 Rectangle in 2 colour settings:
 1. Blue 12A, orange 19A, yellow 24 A
 2. Cool grey 32 A, white 1A, grey 6A
 Dimensions rectangle: 60x30 cm (LxW)
 Dimensions square: 50x50 cm (LxW)
 Dry clean only

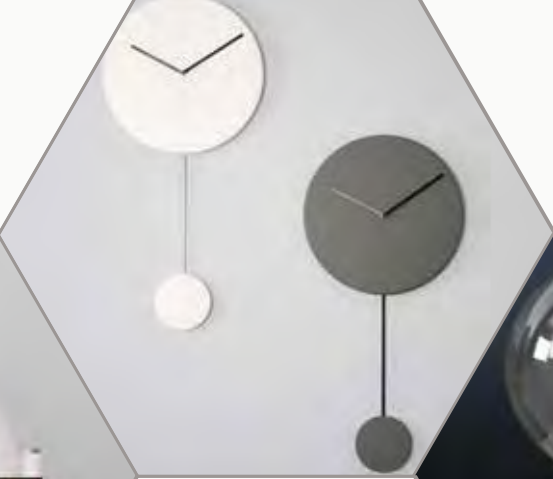


ZUIVER-CODE	GTIN-CODE	ITEM NAME		
8600000	8718548015821	PILLOW RIDGE RECTANGLE COLOUR		
8600001	8718548015838	PILLOW RIDGE SQUARE COLOUR		
8600002	8718548015845	PILLOW RIDGE RECTANGLE GREY		
PACKING	6 PCS/CTN	ORDER QTY: 6		
QTY	CTN SIZE (CM)	CBM	NW (KG)	GW (KG)
6 rectangle	29x60x60	0,104	4,86 (6x0,81)	5,86
6 square	57x57x60	0,195	7,14 (6x1,19)	8,65



HOME DECO

ZUIVER° COLLECTION 2018



DISPLAYS



NEW CATEGORY

Zuiver doesn't only like to help your customers to decorate their home, but we also like to help our own customers to set up their shop!

The perfect solution to swiftly create a playful and varied look for the shop. A look that can help your customers find their way. Choices can be made neatly and a few of the Zuiver Displays even offer space to store stock. Self-service it is! In addition to all of this, the Zuiver Display Houses look amazing: The styling has been done for you in advance by art director Caroline!





LIGHTING DISPLAY

Dimensions: 160x80x240 (WxDxH)
 Note: without content; flat packed



ZUIVER-CODE	GTIN-CODE	ITEM NAME		
9900021	8718548031449	DISPLAY CABINET LIGHTING		
PACKING	1 PCS			
QTY	CTN SIZE (CM)	CBM	NW (KG)	GW (KG)
1	200x22x80	0,352	46,8	46,8



"Match our beautiful lamps with these fun side tables"



"Pendant lamps with a leather, rotan, concrete or brass look"



"White simplistic floor lamps"



"Light up the room with one of these table lamps"



"Pair the lamps with one of these marble topped tables"



"Our fun cinematic lightbox"



"Having a hard time to choose from our huge collection? Pick one of my favourite combinations"



SIDE TABLE DISPLAY

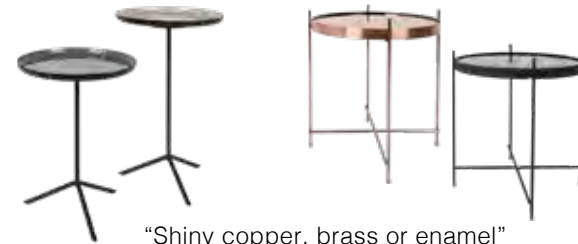
Dimensions: 3x 120x80x60 (WxDxH)

Note: without content; assembled stacked packing

ART DIRECTOR'S
CHOICE

TIP

“Having a hard time to choose from our huge collection? Pick one of my favourite combinations”



“Shiny copper, brass or enamel”



“Black and whites”



“Marble tabletops”



“We love wood”

ZUIVER-CODE	GTIN-CODE	ITEM NAME		
9900023	8718548031463	DISPLAY CABINET SIDE TABLE		
PACKING	1 PCS			
QTY	CTN SIZE (CM)	CBM	NW (KG)	GW (KG)
1	120x80x150	1,44	74,2	74,2



CLOCK DISPLAY

Dimensions: 120x80x190 (WxDxH)
 Note: without content; assembled

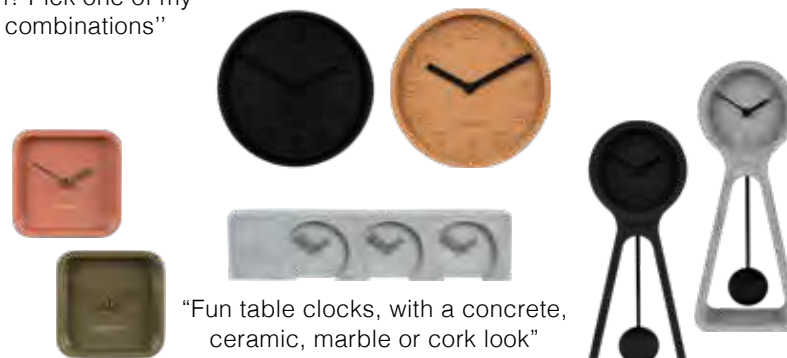


ART DIRECTOR'S TIP
CHOICE

"Having a hard time to choose from our huge collection? Pick one of my favourite combinations"



"Minimalistic wall clocks, brass, copper or cork, there is a clock for every time"



"Fun table clocks, with a concrete, ceramic, marble or cork look"

ZUIVER-CODE	GTIN-CODE	ITEM NAME		
9900024	8718548031470	DISPLAY CABINET CLOCK		
PACKING	1 PCS			
QTY	CTN SIZE (CM)	CBM	NW (KG)	GW (KG)
1	80x120x190	1,824	41	41





SPOTLIGHT DISPLAY

Here is a way to set our Zuiver Spotlights in the.... well... SPOTLIGHT! We designed this super versatile Spotlight Display to hold your Zuiver spotlight stock and display them, at the same time. Just plug it in a socket and let the Zuiver spotlights simply shine and thus sell themselves...!

Ready for use display cabinet on wheels

Dimensions: 120x51,5x214,5 (WxDxH)

Here's a list of what's in it:

Code	Component	Number
	DISPLAY CABINET ZUIVER	1
5500608	SPOT LIGHT LUCI-1 LED WHITE	5
5500609	SPOT LIGHT LUCI-1 LED BLACK	4
5500607	SPOT LIGHT LUCI-1 LED ALU	4
5500611	SPOT LIGHT LUCI-2 LED WHITE	4
5500612	SPOT LIGHT LUCI-2 LED BLACK	4
5500610	SPOT LIGHT LUCI-2 LED ALU	4
5500010	SPOT LIGHT DICE-1 LED COPPER	4
5500011	SPOT LIGHT DICE-2 LED COPPER	4
5500012	SPOT LIGHT DICE-1 LED GALVANISED	4
5500013	SPOT LIGHT DICE-2 LED GALVANISED	4
5500008	SPOT LIGHT DICE-1 LED WHITE	5
5500009	SPOT LIGHT DICE-2 LED WHITE	4

ZUIVER-CODE	GTIN-CODE	ITEM NAME
5900001	8718548023581	SPOT LIGHT DISPLAY



LED-DISPLAY

Build-a-lamp with BULB series by Zuiver

Who wouldn't want to be a light fixture designer? We at Zuiver want to give you that opportunity without the need for a career change. It's fairly simple, so go and build-a-lamp with Zuiver.

1. Decide on your fixture: Pendant or table.
2. Pick a material for your fixture.
3. And now for the finishing touch, choose your über cool bulb.

That is it, you designed your own light fixture!

Ready for use display cabinet on wheels

Dimensions: 120x61,5x219 (WxDxH)

Here's a list of what's in it:

Code	Component	Number
9900020	DISPLAY CABINET ZUIVER 2	1
5600001	BULB CLASSIC LED	24
5600002	BULB DROP LED	12
5600003	BULB TUBE LED	12
5600004	BULB MIRROR LED	12
5600005	BULB GLOBE LED	18
5200021	TABLE LAMP BOLCH COPPER	6
5200022	TABLE LAMP BOLCH CONCRETE	6
5200023	TABLE LAMP BOLCH MARBLE BLACK	6
5200024	TABLE LAMP BOLCH MARBLE WHITE	6
5300086	PENDANT LAMP MACH COPPER	6
5300087	PENDANT LAMP MACH CONCRETE	6
5300088	PENDANT LAMP TRUST MARBLE BLACK	6
5300089	PENDANT LAMP TRUST MARBLE WHITE	6

ZUIVER-CODE	GTIN-CODE	ITEM NAME
5900002	8718548027701	LED LIGHT DISPLAY





TEXTILE DISPLAY

Dimensions: 120x80x190 (WxDxH)
 Note: without content; assembled



ZUIVER-CODE	GTIN-CODE	ITEM NAME		
9900022	8718548031456	DISPLAY CABINET TEXTILE		
PACKING	1 PCS			
QTY	CTN SIZE (CM)	CBM	NW (KG)	GW (KG)
1	80x120x190	1,824	63,3	63,3



“Geometric designs”



“Cozy neutrals”





"Urban jungle"



"Whimsical fringes"



"Fun patterns"



"Colourful but distressed"



WELCOME TO ZUIVER



WHY TO
CHOOSE
ZUIVER?



TRENDS

Zuiver is always on the lookout for the latest trends in interior design. These spotted trends inspire us to develop new products for Zuiver, giving them our own Zuiver twist. Never a dull collection, and always on the move for the next upcoming materials, techniques and designs. Over and over again.

SHOP IN SHOP

The Zuiver shop concept is a great opportunity for our retailers. This ready made Zuiver shop, in a typical Zuiver style, allows you to show the complete Zuiver collection. A collection which is constantly up to date and mostly on stock. And above all the Zuiver shop is a great way to boost your turn over.

PROJECT

Commercial partners of Zuiver, such as architects, stylists and contract partners, decorate many schools, hotels, restaurants and offices with our cool products. The Zuiver collection is highly suitable for decorating these sort of projects! So if you would like to spice up a work area you know where to find us!

STOCK

Zuiver keeps most items in stock for you, so we can deliver them a.s.a.p. after you placed an order. In our warehouse containers with products from all over the world are unloaded and stored. From here all the products are transported to our customers world wide.

PRICE

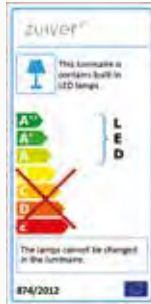
Zuiver thinks it is important to introduce affordable products, without compromising on quality. One way of doing this is by flat packing the products as much as possible. This way we are able to keep the transport costs low, which makes it possible to offer you the best price.



ENERGY LABELS



Energylabel 1



Energylabel 2



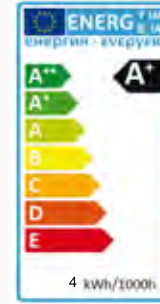
Energylabel 3



Energylabel 4



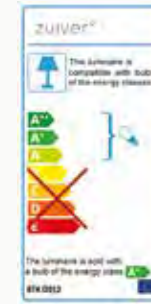
Energylabel 5



Energylabel 6



Energylabel 7



Energylabel 8



Energylabel 9

FIRE RETARDANT



RETARDANT

Items marked by this icon, are also available in a fire retardant version. Turn to your account manager for more information.

DIMMABLE



DIMMABLE

When using a dimmer, make sure to choose a dimmable bulb.

© Zuiver 2018

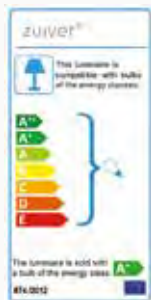
All rights reserved. No part of this publication may be reproduced by any means without prior permission in writing from Zuiver BV. Zuiver is a registered trademark.

Disclaimer:

Whilst all care has been made in the compilation of this magazine, the company can not accept responsibility for any errors or changes to the contents.

Please note that due to the printing process all colours, as seen in this brochure, may slightly vary from the actual colours.

General terms & conditions: www.zuiver.com



Energylabel 10

COLOPHON

Art Director:
Caroline van Velze

Graphic design:
Liz de Rover
Carla Verhagen

Styling & photography:
Nienke Fris
Robbert Frie

Text:
Eveliëne van Zanten
Govaars Woonproducties

Special thanks to:
Monsieur Artiste, monsieurartiste.nl
De Behangfabriek, behangfabriek.com
Libbey, libbey.com

Interieur

OFFICE & SHOWROOM

Rak 20
1551 NA Westzaan
Holland

POSTAL ADDRESS

P.O. box 69
1500 EB Zaandam
Holland

PHONE: +31(0)75 6146020

MAIL: info@zuiver.com

WEBSITE: www.zuiver.com

FOLLOW US ON

